

Contact insert - HC-HV 3-ESTC - 1773336

Please be informed that the data shown in this PDF Document is generated from our Online Catalog. Please find the complete data in the user's documentation. Our General Terms of Use for Downloads are valid (<http://download.phoenixcontact.com>)


HEAVYCON male insert, for 690 V(III/3), with 3 N/O contacts and 2 switching contacts, crimp connection



The illustration shows a combination of versions HC-HV -3-EBUC, -3-EBUS, -3-ESTC and -3-ESTS



Key commercial data

Packing unit	1 pc
GTIN	 4 017918 144432
Weight per Piece (excluding packing)	55.04 GRM
Custom tariff number	85366990
Country of origin	Germany

Technical data

General

Note	For HC ADVANCE-B10, HC-HV 3 housings, crimp contacts CK 2,5-ED (crimp contacts not included in scope of supply)
Connection method	Crimp connection
Pollution degree	3
Surge voltage category	III
Constructional and testing regulations	DIN VDE 0627/86
	DIN VDE 0110/02.79
	DIN VDE 0110-1/04.97
	IEC 60664-1, DIN IEC 60512
	IEC 60352
Number of positions	3+2+PE

Contact insert - HC-HV 3-ESTC - 1773336

Technical data

General

Insertion/withdrawal cycles	≥ 500
Design	B10
Conductor cross section	0.37 mm ² ... 4 mm ²
Connection cross section AWG	20 ... 12
Stripping length of the individual wire	7.5 mm (N/O contacts)
	7.5 mm (control contacts)

Ambient conditions

Ambient temperature (operation)	-40 °C ... 125 °C (including heating up of contacts)
---------------------------------	--

Material data

Inflammability class according to UL 94	V0
Contact material	Copper alloy
Contact surface material	Ag (alternatively Au)
Contact carrier material	PA

Electrical characteristics

Rated voltage (III/3)	Power 400 V (Conductor-PE)
	(250 V control contacts)
Rated surge voltage	Power 690 V (Conductor-Conductor)
	6 kV (N/O contacts)
	4 kV (control contacts)
Rated current	16 A

Classifications

eCl@ss

eCl@ss 4.0	27140816
eCl@ss 4.1	27140816
eCl@ss 5.0	27143424
eCl@ss 5.1	27143424
eCl@ss 6.0	27143424
eCl@ss 7.0	27440209
eCl@ss 8.0	27440209

ETIM

ETIM 2.0	EC000438
ETIM 3.0	EC000438
ETIM 4.0	EC000438

Contact insert - HC-HV 3-ESTC - 1773336

Classifications

ETIM

ETIM 5.0	EC000438
----------	----------

UNSPSC

UNSPSC 6.01	30211923
UNSPSC 7.0901	39121522
UNSPSC 11	39121522
UNSPSC 12.01	39121522
UNSPSC 13.2	39121522

Approvals

Approvals

Approvals

GOST

Ex Approvals

Approvals submitted

Approval details

GOST

Accessories

Accessories

Crimp contact

Crimp contact - CK2,5-ED-0,50ST AG - 1663572



Turned 2.5 crimp contact, individual male contact, core diameter 0.5 mm², silver-plated

Contact insert - HC-HV 3-ESTC - 1773336

Accessories

Crimp contact - CK2,5-ED-0,75ST AG - 1663585



Turned 2.5 crimp contact, individual male contact, core diameter 0.75 mm², silver-plated

Crimp contact - CK2,5-ED-1,00ST AG - 1663598



Turned 2.5 crimp contact, individual male contact, core diameter 0.75 to 1.00 mm², silver-plated

Crimp contact - CK2,5-ED-1,50ST AG - 1663608



Turned 2.5 crimp contact, individual male contact, core diameter 1.5 mm², silver-plated

Crimp contact - CK2,5-ED-2,50ST AG - 1663611



Turned 2.5 crimp contact, individual male contact, core diameter 2.5 mm², silver-plated

Crimp contact - CK2,5-ED-3,00ST AG - 1663624



Turned 2.5 crimp contact, individual male contact, core diameter 3.00 mm², silver-plated

Contact insert - HC-HV 3-ESTC - 1773336

Accessories

Crimp contact - CK2,5-ED-4,00ST AG - 1663637



Turned 2.5 crimp contact, individual male contact, core diameter 4.00 mm², silver-plated

Crimp contact - CK2,5-ED-0,50ST AU - 1674804



Turned 2.5 crimp contact, individual male contact, core diameter 0.5 mm², gold-plated

Crimp contact - CK2,5-ED-1,00ST AU - 1674781



Turned 2.5 crimp contact, individual male contact, core diameter 0.75 to 1.0 mm², gold-plated

Crimp contact - CK2,5-ED-1,50ST AU - 1674778



Turned 2.5 crimp contact, individual male contact, core diameter 1.5 mm², gold-plated

Crimp contact - CK2,5-ED-2,50ST AU - 1674817



Turned 2.5 crimp contact, individual male contact, core diameter 2.5 mm², gold-plated

Contact insert - HC-HV 3-ESTC - 1773336

Accessories

Crimp contact - CK2,5-ED-4,00ST AU - 1674794



Turned 2.5 crimp contact, individual male contact, core diameter 4.00 mm², gold-plated

Mounting material

PE multiplier - HC-B-3PE - 1644326



PE multiplier, for three PE connections, for HC-B (besides HC-B..E..ZZ) / HC-BB / HC-DD / HC-D40 / HC-D64 contact inserts

- CK2,5-ED-0,37ST AG - 1585650



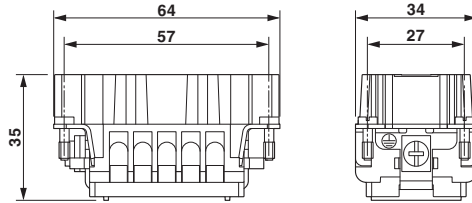
- CK2,5-ED-0,37ST AU - 1585663



Drawings

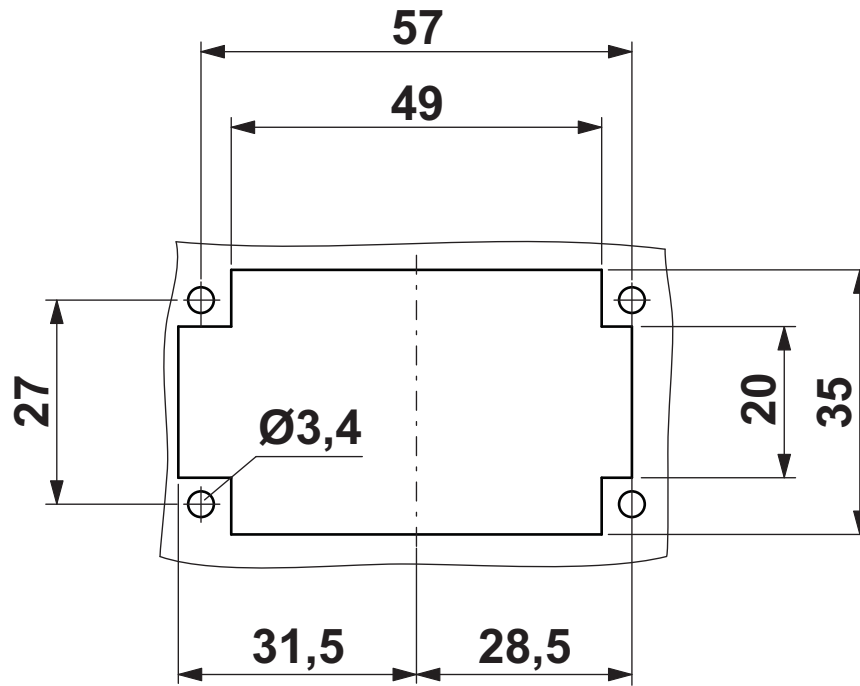
Contact insert - HC-HV 3-ESTC - 1773336

Dimensioned drawing



Dimensional drawing

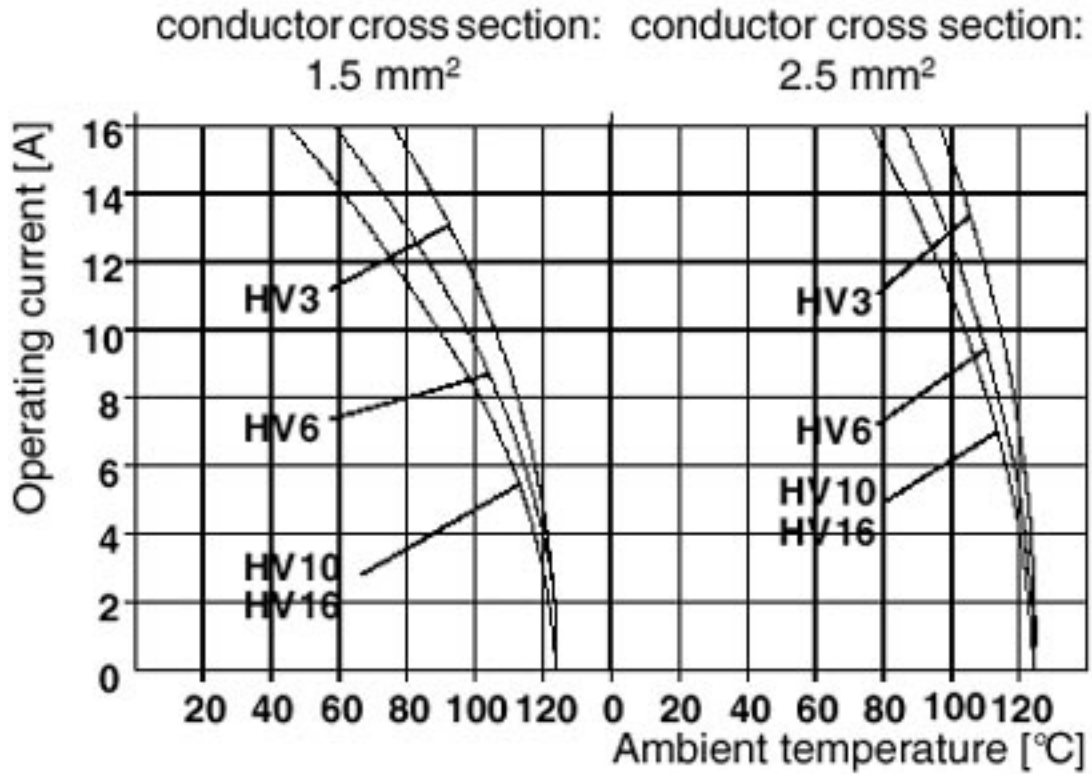
Dimensioned drawing



Panel cutout

Contact insert - HC-HV 3-ESTC - 1773336

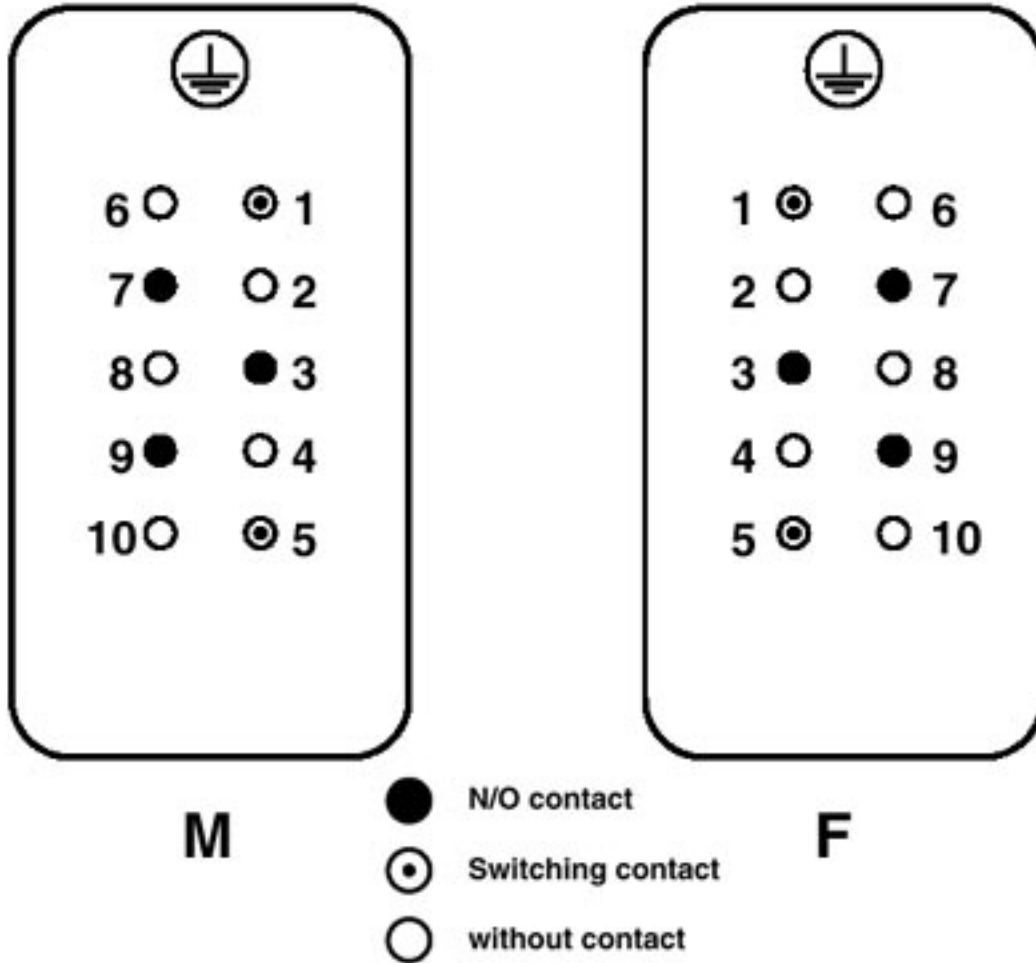
Diagram



Derating diagram

Contact insert - HC-HV 3-ESTC - 1773336

Schematic diagram



View termination side