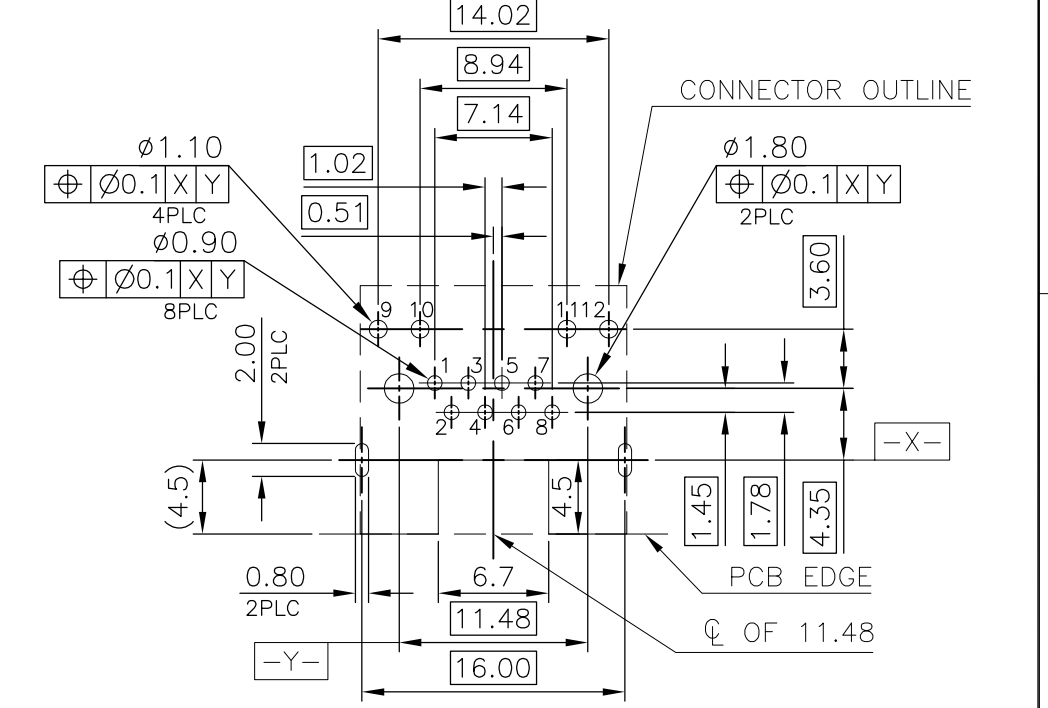
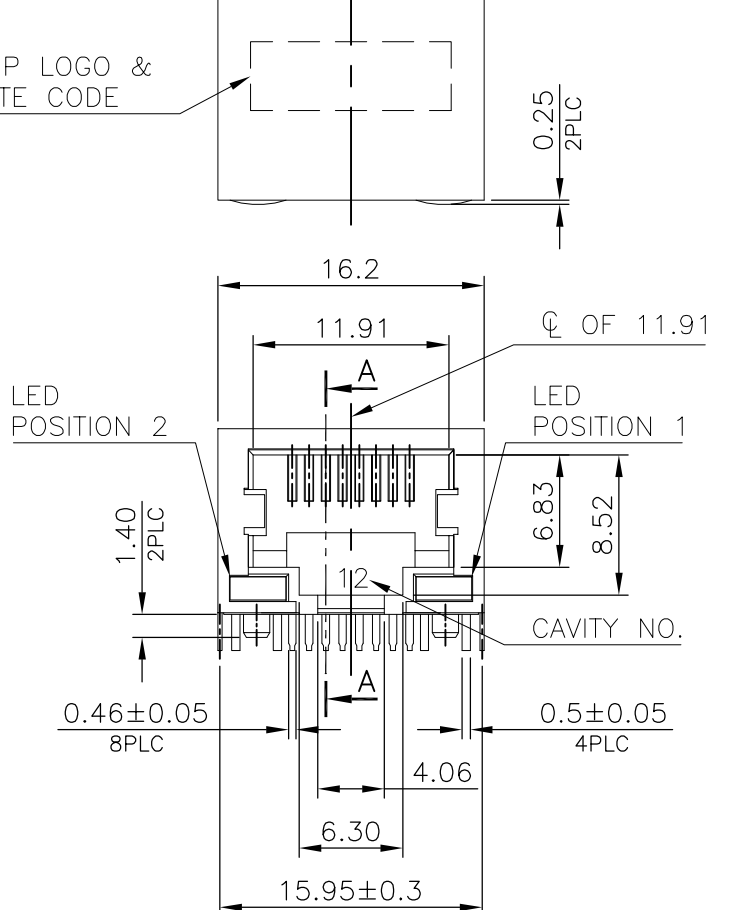
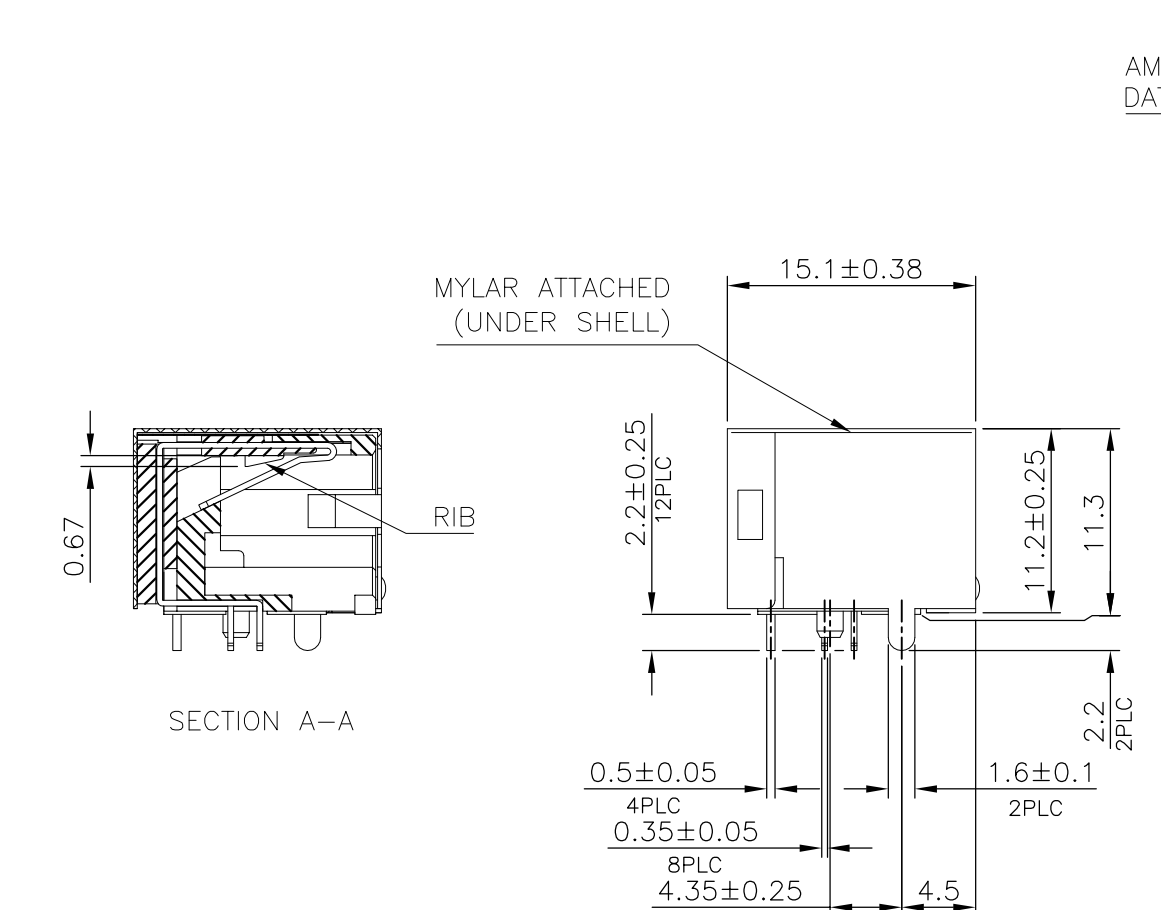
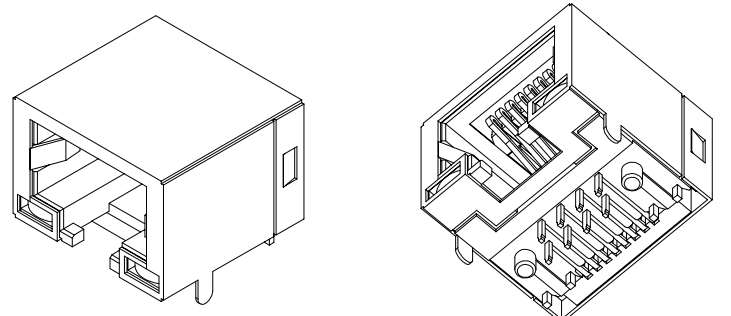


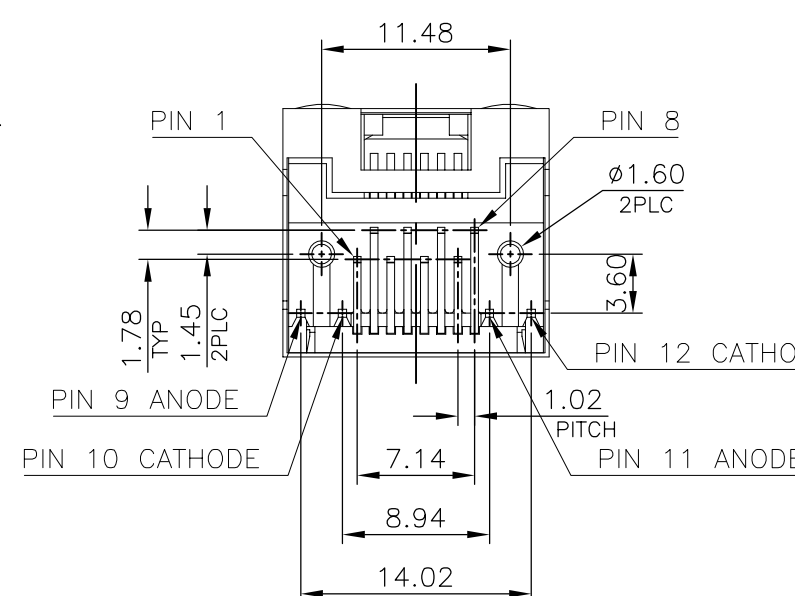
LOC	DIST	REVISIONS			
P	LTR	DESCRIPTION	DATE	DWN	APVD
DW	/				
	A6	REVISED PER ECO-14-015700	13OCT'14	LL	SH



RECOMMENDED PCB LAYOUT (TOP VIEW)
 PCB THICKNESS: 1.6MM, TOLERANCE: ±0.05



- NOTE:
- MATERIAL:
 - HOUSING: PA46, WITH 30% GF, UL94V-0, BLACK COLOR.
 - INSERT HOUSING: PA46, WITH 30% GF, UL94V-0, BLACK COLOR.
 - CONTACTS: PHOSPHOR BRONZE.
 - SHELL: BRASS.
 - LED SOLDER TAIL: STEEL.
 - MYLAR: SILICONE POLYMER.
 - FINISH:
 - CONTACTS: (SEE TABLE) GOLD PLATED ON CONTACT AREA. GOLD FLASH ON SOLDER TAIL. 1.27um [50u"] MIN. NICKEL UNDERPLATED OVERALL.
 - SHELL: 0.508um [20u"] MIN. NICKEL PLATED.
 - LED: 1.02um [40u"] COPPER UNDERPLATED OVERALL. 1.27um [50u"] NICKEL OVERALL. 1.27um [50u"] SILVER ON BONDING AREA. 2.54um [100u"] BRIGHT-TIN ON SOLDER AREA.
 - LED MUST BE REFLOW COMPATIBLE TO FOLLOWING TEMPERATURE PROFILE (FOR 1 CYCLE): ABOVE 160°C FOR 120 SECONDS, PEAKING AT 230°C FOR 6~8 SECONDS.
 - LED DEFECT RATE IS 6000 PPM MAX. AFTER IR REFLOW PROCESS AS NOTE 3.
 - APPLIED TO WAVE SOLDERING PROCESS.
 - OBsolete PARTS: OBsolete CIS STREAMLINING PER D.RENAUD/D.SINISI.



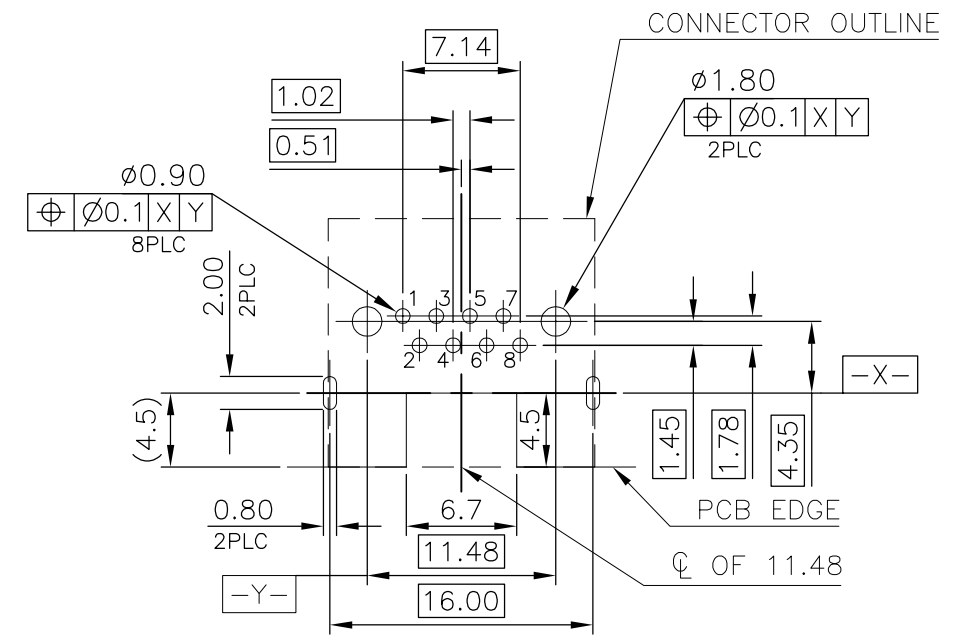
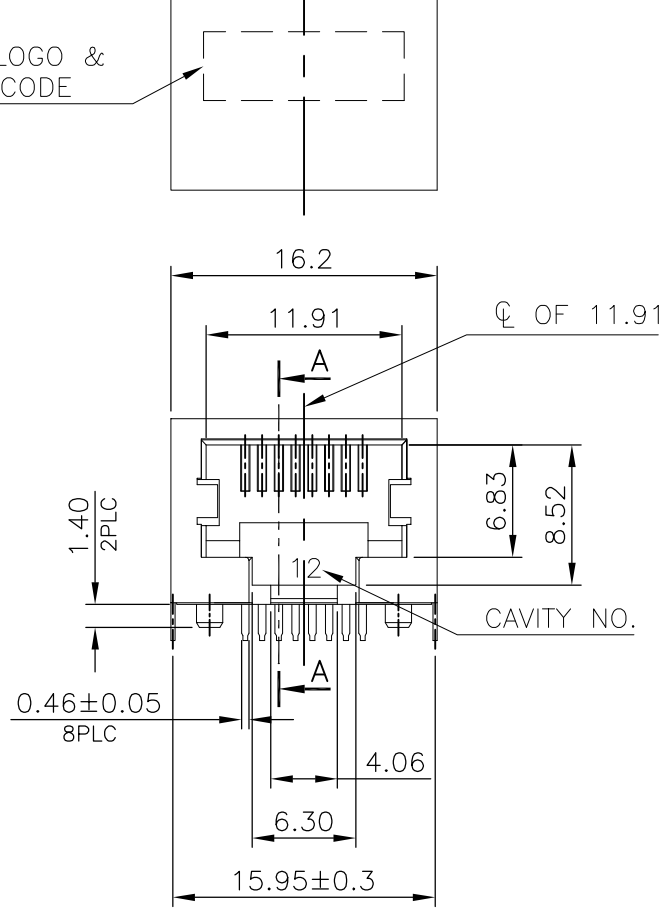
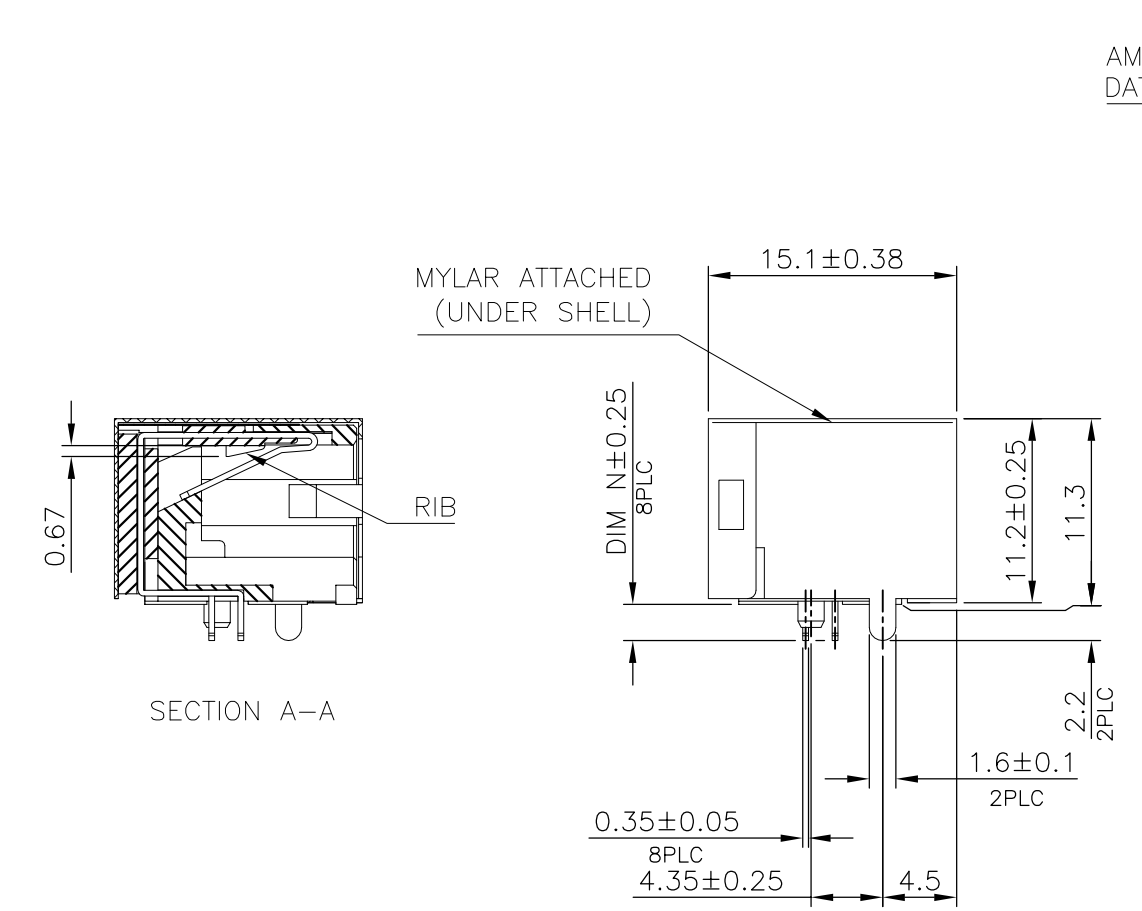
PACKAGE	POSITION 2	POSITION 1	MIN. GOLD THICKNESS	PART NUMBER
TRAY	YELLOW	GREEN	1.27um[50u"]	1734509-8
			0.762um[30u"]	1734509-7
			0.381um[15u"]	1734509-6
	GREEN	YELLOW	0.152um[6u"]	1734509-5
			1.27um[50u"]	1734509-4
			0.762um[30u"]	1734509-3
			0.381um[15u"]	1734509-2
			0.152um[6u"]	1734509-1

THIS DRAWING IS A CONTROLLED DOCUMENT.

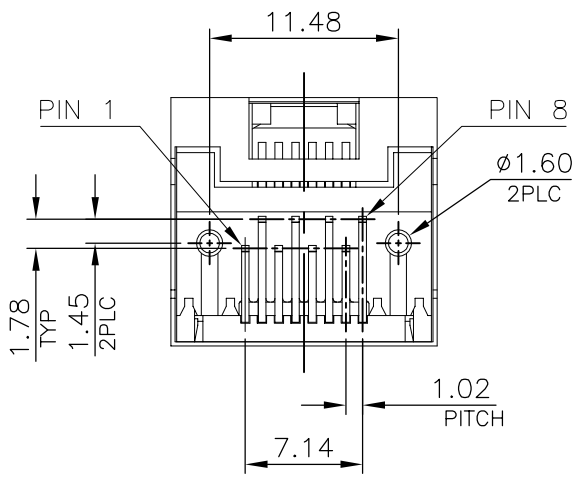
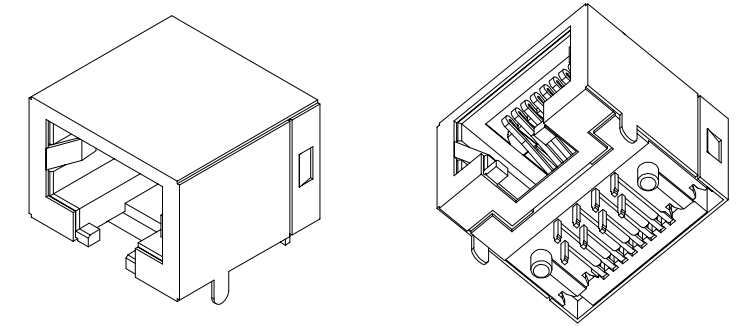
DIMENSIONS: mm	TOLERANCES UNLESS OTHERWISE SPECIFIED:	DWN O. HU 03OCT2005	TE Connectivity
	0 PLC ± - 1 PLC ± 0.3 2 PLC ± 0.2 3 PLC ± 0.15 4 PLC ± - ANGLES ± 3'	CHK S. HOU 03OCT2005	
		APVD W.J. KE 03OCT2005	
MATERIAL SEE NOTE	FINISH SEE NOTE	PRODUCT SPEC 108-57527 APPLICATION SPEC WEIGHT - CUSTOMER DRAWING	

NAME	MODULAR JACK RJ45 8P8C, WITH SHELL, DIP, REVERSE TYPE		
SIZE	CAGE CODE	DRAWING NO	RESTRICTED TO
A3	00779	1734509	-
SCALE		SHEET	REV
-		1 OF 4	A6

LOC	DIST	REVISIONS					
DW		P	LTR	DESCRIPTION	DATE	DWN	APVD
				SEE SHEET 1.			



RECOMMENDED PCB LAYOUT (TOP VIEW)
 PCB THICKNESS: 1.6MM, TOLERANCE: ±0.05



- NOTE:
- MATERIAL:
 - HOUSING: PA46, WITH 30% GF, UL94V-0, BLACK COLOR. OR LCP WITH 30% G.F. UL94V-0, BLACK COLOR. (SEE TABLE)
 - INSERT HOUSING: PA46, WITH 30% GF, UL94V-0, BLACK COLOR. OR LCP WITH 30% G.F. UL94V-0, BLACK COLOR. (SEE TABLE)
 - CONTACTS: PHOSPHOR BRONZE.
 - SHELL: BRASS.
 - MYLAR: SILICONE POLYMER.
 - FINISH:
 - CONTACTS: (SEE TABLE) GOLD PLATED ON CONTACT AREA. GOLD FLASH ON SOLDER TAIL. 1.27um [50u"] MIN. NICKEL UNDERPLATED OVERALL.
 - SHELL: 0.508um [20u"] MIN. NICKEL PLATED.
 - APPLIED TO WAVE SOLDERING PROCESS.
- ⚠️ OBSOLETE PARTS: OBSOLETE CIS STREAMLINING PER D.RENAUD/D.SINISI.

⚠️ OBSOLETE	LCP	TAPE & REEL	3.5	0.152um[6u"]	1-1734509-5
	PA46	TAPE & REEL	2.2	1.27um[50u"]	1-1734509-4
				0.762um[30u"]	1-1734509-3
				0.381um[15u"]	1-1734509-2
				0.152um[6u"]	1-1734509-1
	HOUSING&INSERT MATERIAL	PACKAGE	DIM N	MIN. GOLD THICKNESS	PART NUMBER

THIS DRAWING IS A CONTROLLED DOCUMENT.		DWN	TE Connectivity			
DIMENSIONS: mm		CHK				
TOLERANCES UNLESS OTHERWISE SPECIFIED:		APVD	NAME			
0 PLC ± - 1 PLC ± 0.3 2 PLC ± 0.2 3 PLC ± 0.15 4 PLC ± - ANGLES ± 3°		PRODUCT SPEC				
MATERIAL		FINISH	MODULAR JACK RJ45 8P8C, WITH SHELL, DIP, REVERSE TYPE			
		WEIGHT	SIZE	CAGE CODE	DRAWING NO	RESTRICTED TO
		CUSTOMER DRAWING	A3	00779	1734509	
		SCALE	SHEET	2 OF 4	REV	A6

4

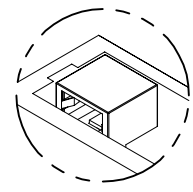
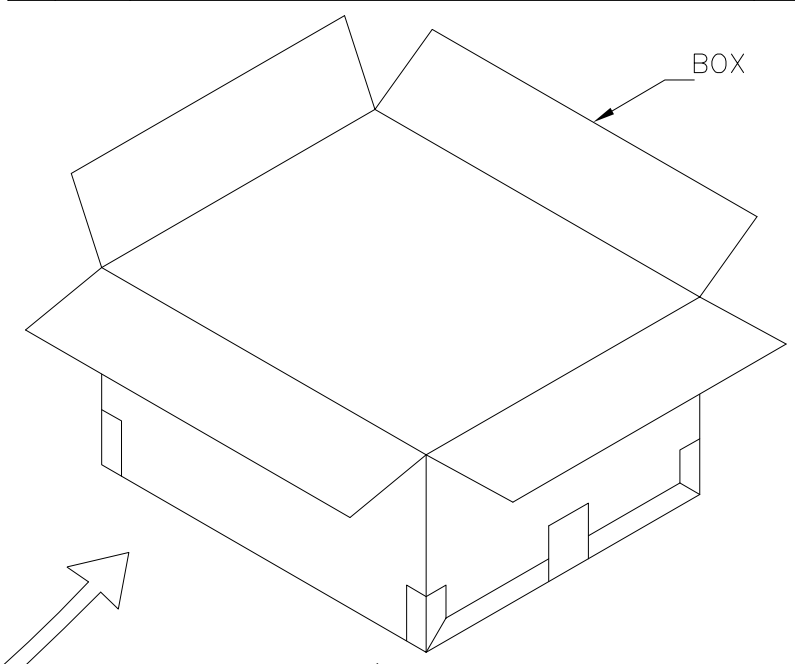
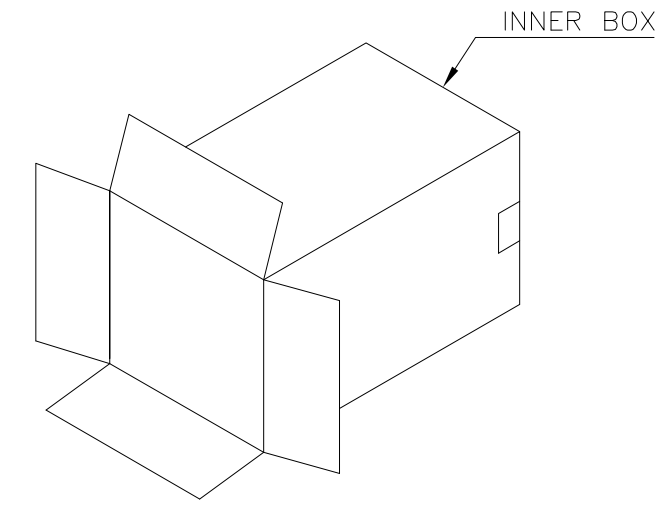
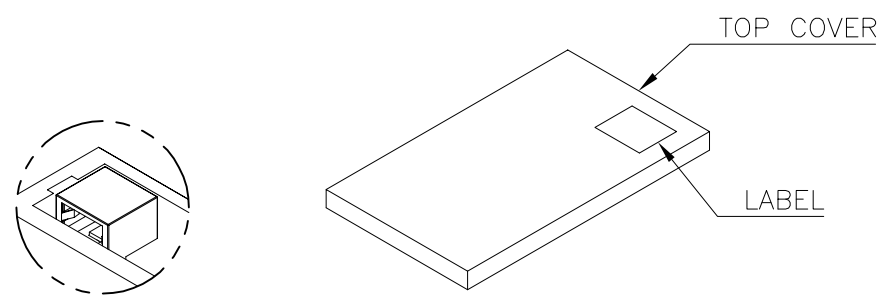
3

2

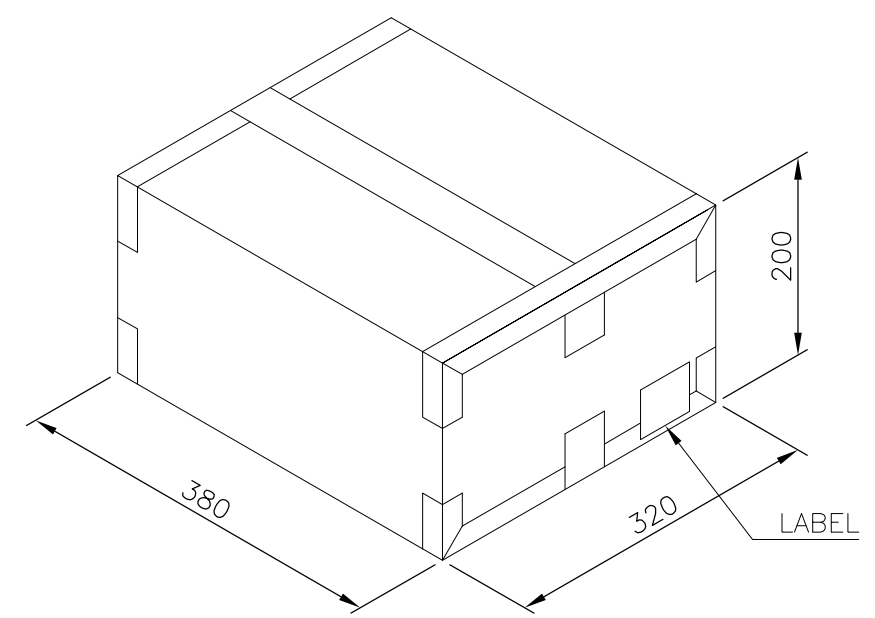
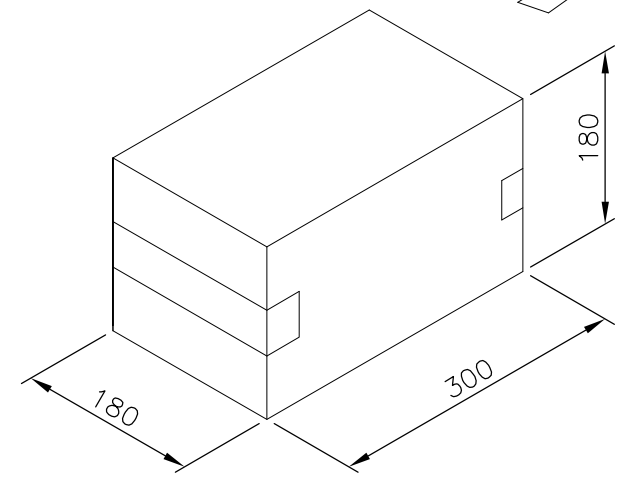
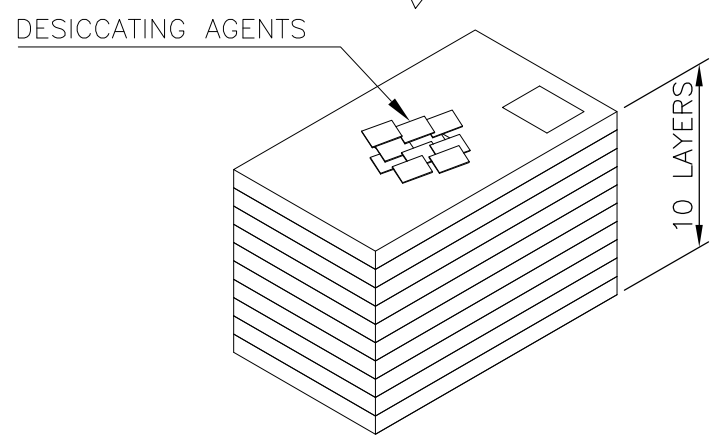
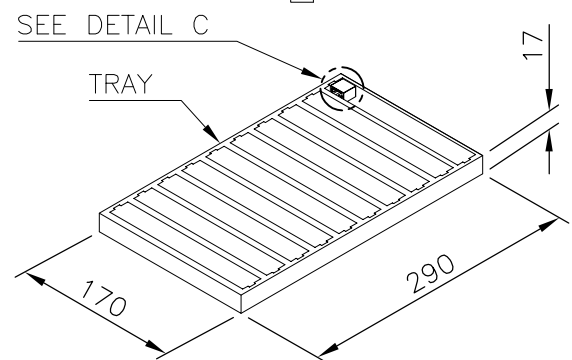
1

THIS DRAWING IS UNPUBLISHED. RELEASED FOR PUBLICATION
 © COPYRIGHT 2011 BY TYCO ELECTRONICS CORPORATION. ALL RIGHTS RESERVED.

LOC	DIST	REVISIONS					
DW		P	LTR	DESCRIPTION	DATE	DWN	APVD
				SEE SHEET 1.			



DETAIL C



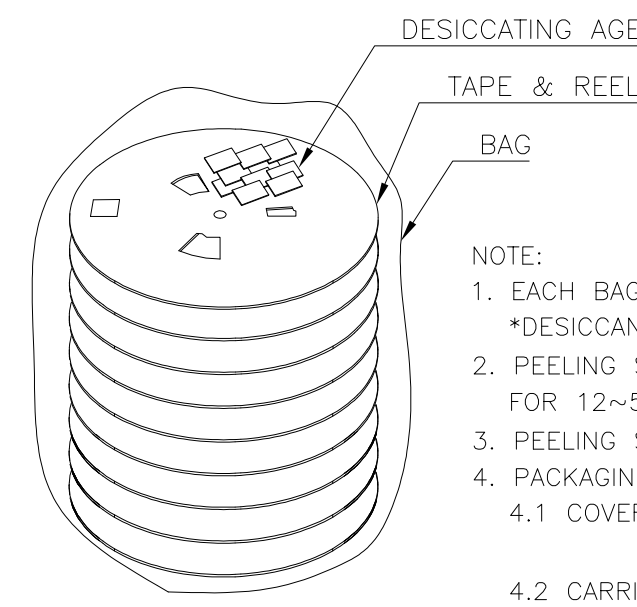
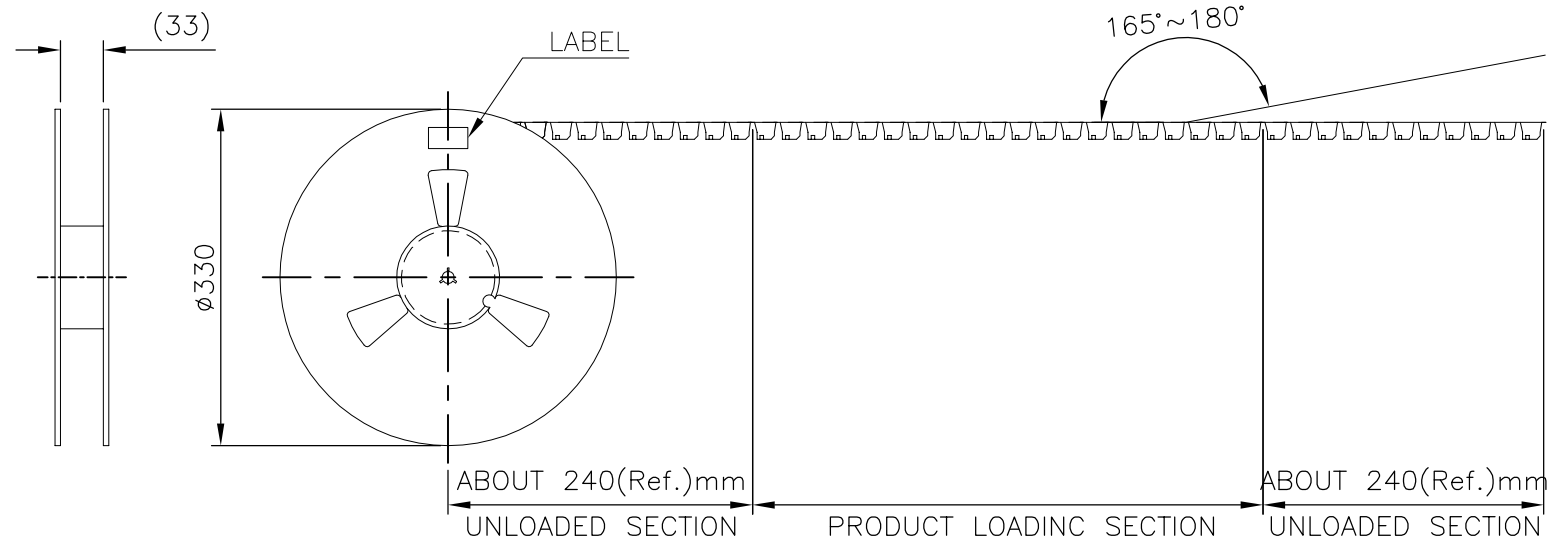
- NOTES:
- MATERIAL:
 TRAY: PVC.
 BOX: CORRUGATED FIBER.
 - DIMENSION: SEE DRAWING
 - QUANTITY: SEE TABLE
 - WEIGHT: SEE TABLE

9.65Kg	7.65Kg	90	20	1800	1734509-X
GROSS WEIGHT	NET WEIGHT	PCS /TRAY	TRAY /BOX	PCS /BOX	PART NUMBER

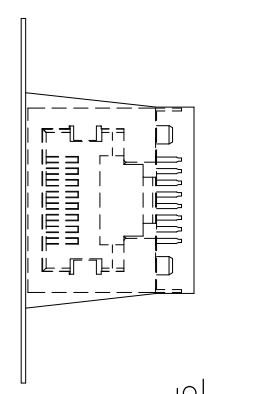
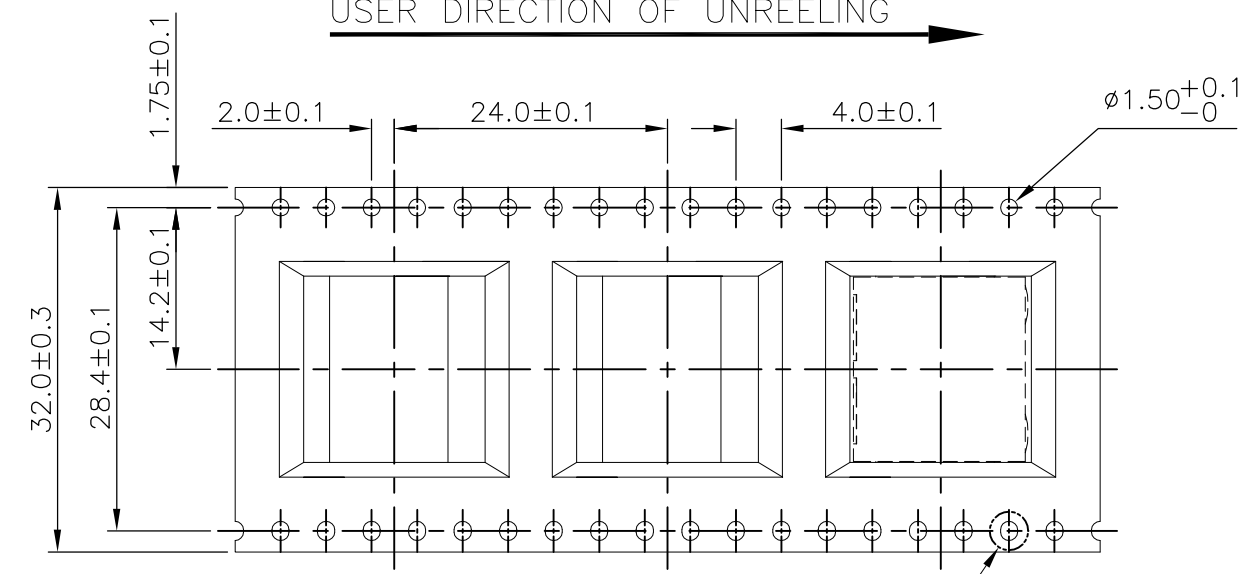
THIS DRAWING IS A CONTROLLED DOCUMENT.		DWN	TE Connectivity NAME MODULAR JACK RJ45 8P8C, WITH SHELL, DIP, REVERSE TYPE				
DIMENSIONS: mm		CHK					
		APVD					
TOLERANCES UNLESS OTHERWISE SPECIFIED: 0 PLC ± - 1 PLC ± 0.3 2 PLC ± 0.2 3 PLC ± 0.15 4 PLC ± - ANGLES ± 3°		PRODUCT SPEC					
MATERIAL		FINISH	APPLICATION SPEC	SIZE	CAGE CODE	DRAWING NO	RESTRICTED TO
			WEIGHT	A3	00779	1734509	
CUSTOMER DRAWING			SCALE	SHEET	3 OF 4	REV	A6

THIS DRAWING IS UNPUBLISHED. RELEASED FOR PUBLICATION
 © COPYRIGHT 2011 BY TYCO ELECTRONICS CORPORATION. ALL RIGHTS RESERVED.

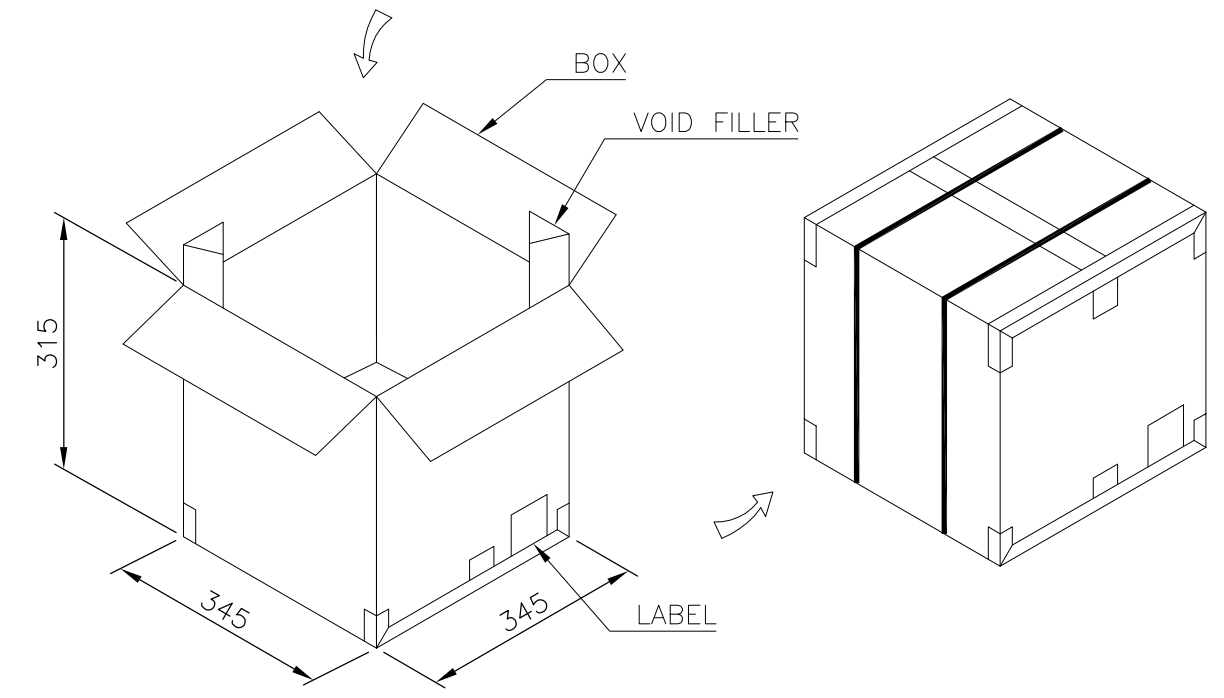
LOC	DIST	REVISIONS				
P	LTR	DESCRIPTION	DATE	DWN	APVD	
		SEE SHEET 1.				



USER DIRECTION OF UNREELING →



DETAIL C
SCALE 4:1



9.20KG	5.77KG	180	8	1440	1-1734509-X
GROSS WEIGHT	NET WEIGHT	PCS /REEL	REEL /BOX	PCS /BOX	PART NUMBER

THIS DRAWING IS A CONTROLLED DOCUMENT.		DWN	TE Connectivity NAME MODULAR JACK RJ45 8P8C, WITH SHELL, DIP, REVERSE TYPE				
DIMENSIONS: mm		CHK					
TOLERANCES UNLESS OTHERWISE SPECIFIED:		APVD					
0 PLC ± - 1 PLC ± 0.3 2 PLC ± 0.2 3 PLC ± 0.15 4 PLC ± - ANGLES ± 3°		PRODUCT SPEC					
MATERIAL		FINISH	APPLICATION SPEC	SIZE	CAGE CODE	DRAWING NO	RESTRICTED TO
			WEIGHT	A3	00779	1734509	
CUSTOMER DRAWING			SCALE	SHEET	4 OF 4	REV	A6