

WIRING DIAGRAM : 12 CORE CABLE

CIRCUIT No.	CONDUCTOR NO.	CIRCUIT No.
1	1. WHITE	3
2	2. RED/BLUE	2
3	1. GREY/PINK	7
4	8. RED	8
5	5. GREY	9
6	4. YELLOW	10
7	6. PINK	11
8	7. BLUE	12
9	9. VIOLET	13
10	3. BLACK	14
11	2. BROWN	15
12	3. GREEN	16
14	DRAIN WIRE	

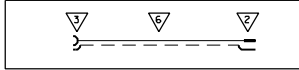
CABLE SPECIFICATION : 12 CORE CABLE

1. CABLE TYPE: FLAT RIBBON ROUND OTHER
 SPIRAL CABLE YES NO
 NO. OF CONDUCTORS 12
 2. CABLE REQUIREMENTS: CABLE MUST UNWIND FROM REEL WITH ORIENTATION AS PER DIAGRAM BELOW
 3. CONDUCTOR SPECIFICATIONS:

CONDUCTOR NO.	COLOURS
1 - 3	OUTSIDE
4 - 12	INSULATION
CONDUCTOR 1	CENTRE
MATERIAL	TINNED CU
A.B.C.	30
STANDING STY/GAUGE	12/44 OR 19/38 OR 17/38
TENSILE STRENGTH	N/A
INSULATION	PVC
MATERIAL	PVC
MIN. WALL THICKNESS	0.8 REF. CLR REF
COLOR	SEE CABLE DIAGRAM/COLOR CODE
BENEFIT OF LAY	0.76 REF
LENGTH OF LAY	2 5
UL RATING	UL - 892

4. FILER : ENOUGH TO MAKE THE ASSEMBLY BOUND
 5. SEPARATOR : POLYESTER FILM
 TYPE DIRECTION BROWN SEPARATOR - 2, OUTER SEPARATOR - 5.
 FOIL TYPE N/A
 FOIL FACING N/A
 6. SHIELD : N/A
 7. DRAIN WIRE : GAUGE 28 AWG
 STANDING REQUIREMENT 27.24
 DRAIN TO BE ON THE OUTSIDE OF THE SEPARATOR
 8. SPIRAL/BRAID : GAUGE 24 x 8 x 0.1 OR 24 x 9 x 0.1
 COPPER TYPE TINNED CU
 COVERAGE 92 %
 9. CABLE JACKET : TYPE PVC
 FINAL DIAMETER 5.62 REF
 MIN. THICKNESS 0.5 REF
 COLOR BLACK
 FINISH BENT
 UL RATING UL-20276
 HANDNESS 6153 SHDRE B
 TO BE EASILY SLIPPED BETWEEN THUMB AND FOREFINGER
 STRIPABILITY YEAR AND MONTH OF MANUFACTURE ACCORDING TO IEC 62 INDEX 5.1, NOT PRINTED IN WHITE EVERY 500.
 10. PACKAGING : PACKAGING SEE PACKAGING SPECIFICATION ESTABLISHED BY LOCAL PURCHASING AND MANUFACTURING DEPARTMENTS.

WIRING DIAGRAM : R.F. CABLE

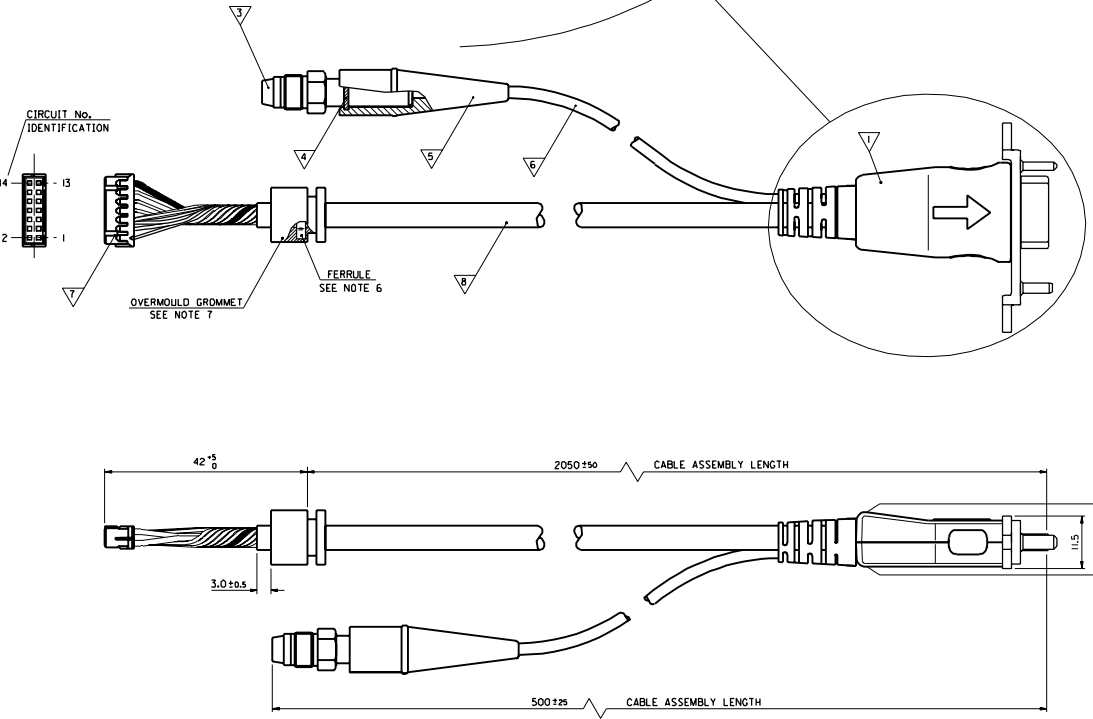


BILL OF MATERIALS

NO.	QUANTITY	SUPPLIER	DESCRIPTION	PART No.	SEE NOTE
1	1	MOLEX	16 CIRCUIT I/O MOBILE PHONE CRADLE CONNECTOR	91059-0001	L 2, 3
2	1	MOLEX	COAXIAL RF CONNECTOR	90853-0001	3
3	1	ROSENBERGER	COAXIAL RF CONNECTOR	26K101-102	4, 5
4	1	ROSENBERGER	WASHER	78 S 201-042/41	4, 5
5	1	ROSENBERGER	GROMMET - BLACK	51 Z 526-000	4, 5
6	1	NO REFERRED SUPPLIERS	COAXIAL CABLE 50 OHM	RG 174 A/U	4, 5
7	1 9 4	JST	14 CIRCUIT CONNECTOR CRIMP TERMINAL, 30 AWG CRIMP TERMINAL, 26 AWG	PHDR-14V5 SPHD-003T-PO.5 SPHD-002T-PO.5	4, 5
8	1	MOLEX	12 CORE CABLE	SEE CABLE SPECIFICATION	

NOTES:

- MATES WITH SERIES 91052 HANDSET CONNECTOR.
- SEE PRODUCT SPECIFICATION No PS-99020-0049.
- CABLE CONDUCTORS & RF COVERED WITH HEAT SHRINK INSULATION TUBING.
- ONLY AVAILABLE FROM MOLEX AS PART OF A CABLE ASSEMBLY.
- SUPPLIER OR CUSTOMER APPROVED EQUIVALENT.
- SEE CRIMP SPECIFICATION ES-99043-0005.
- SEE GROMMET SPECIFICATION ES-99038-0013.
- PACKAGING : SEE PACKING SPECIFICATION ES-99039-0006, AND LABELLED AS SHOWN, YEAR AND MONTH, "XX", TO BE PRINTED ACCORDING TO IEC 62 INDEX 5.1.
- SEE TERMINATION SPECIFICATION ES-99033-0003.



V24851-Z1303-A134-1
 XX MXI
 MOLEX 91059-0134

FOR PREVIOUS DRAWING ISSUES SEE MRL.

REVISIONS: DATE, BY, REVISION, APPROVED BY, CHECKED BY, DRAWN BY, DESIGNED BY, DATE OF ISSUE, PROJECT NO., SHEET NO. OF TOTAL SHEETS, TITLE, SYSTEM CONNECTOR CRADLE CABLE ASSEMBLY, MOLEX EUROPE, 91059-0134, SHEET NO. DATE, 10F 1 95/08/18, PART NO., SDA-91059-0134, D.

REVISION ONLY ON CAD SYSTEM