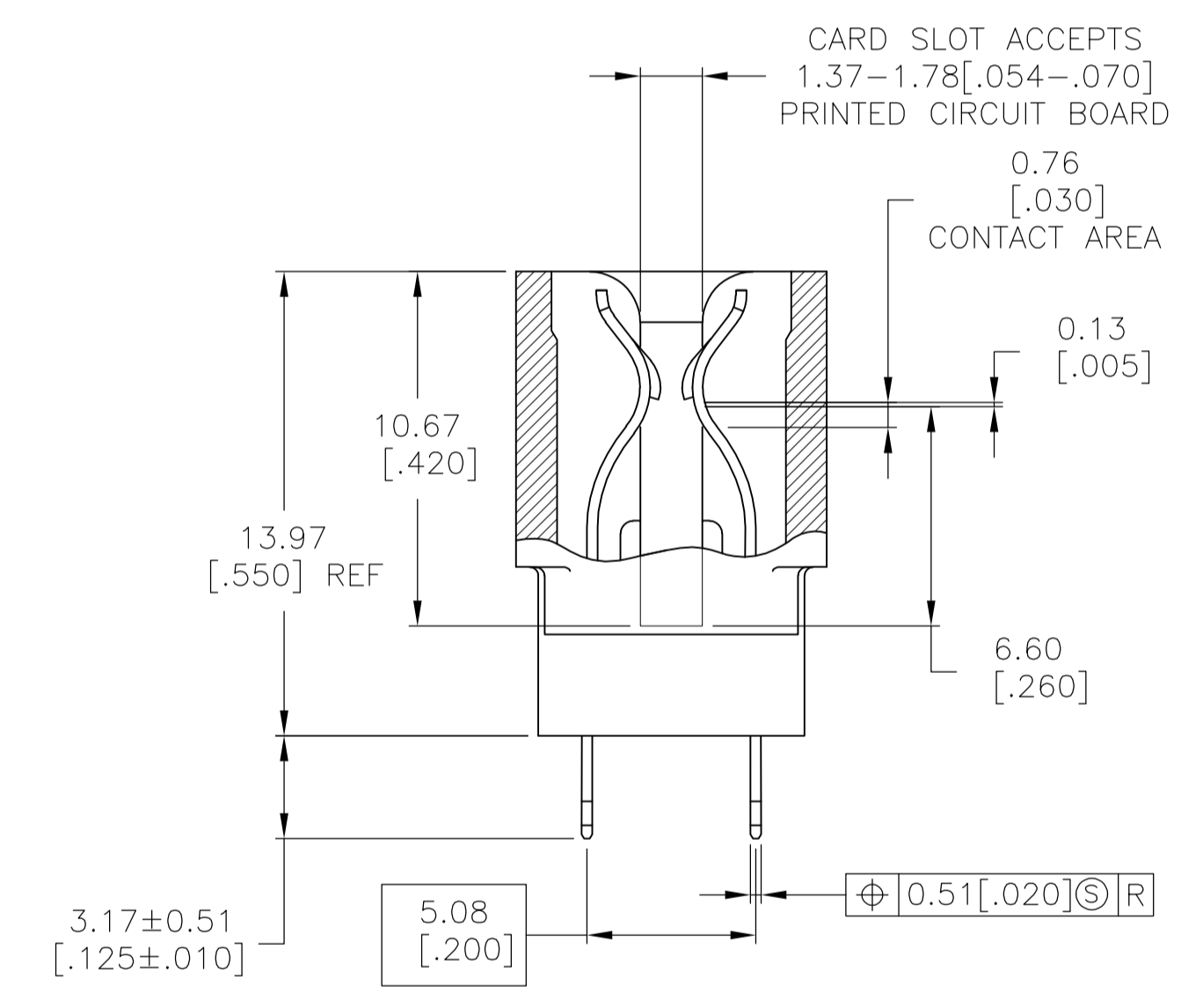
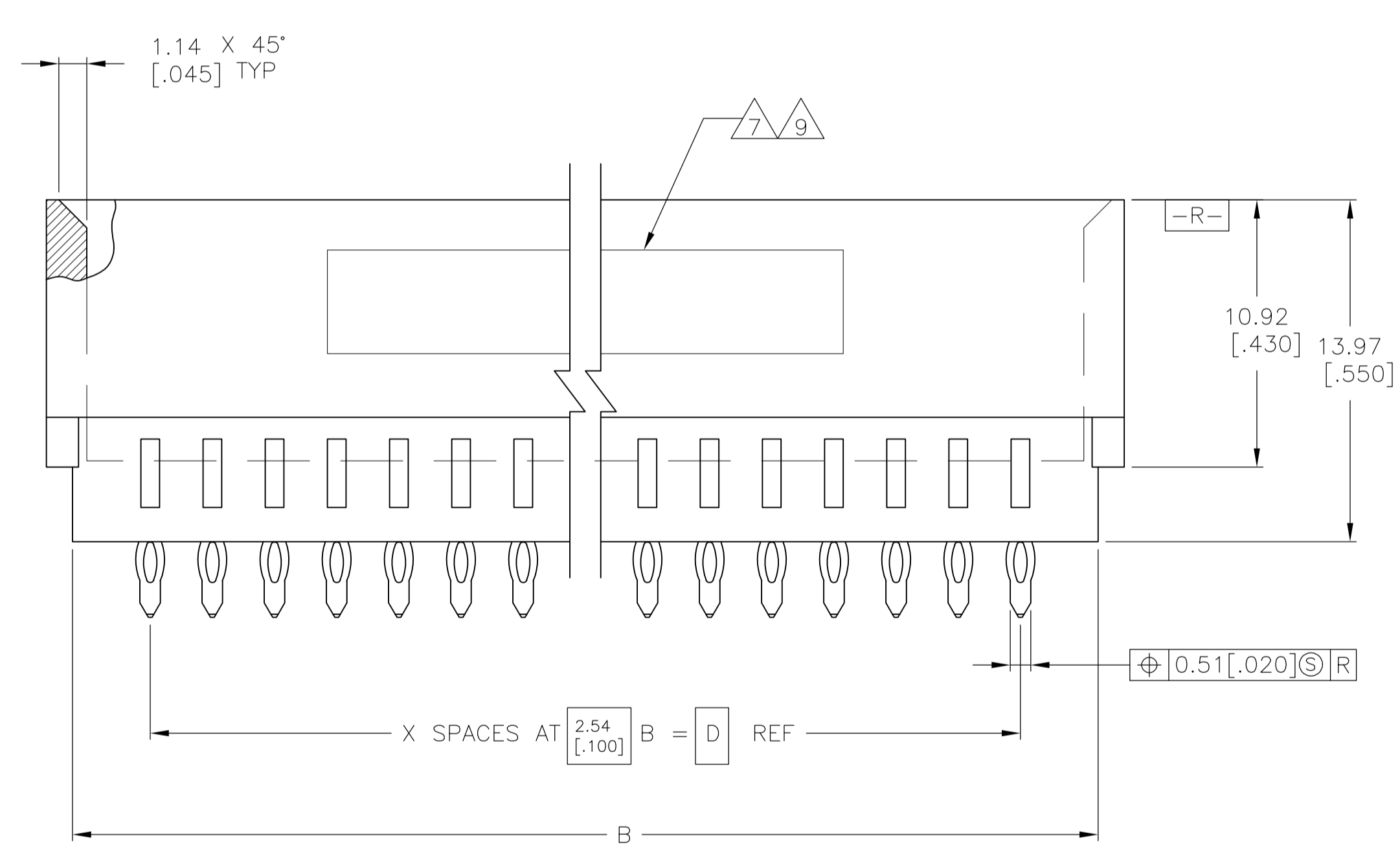
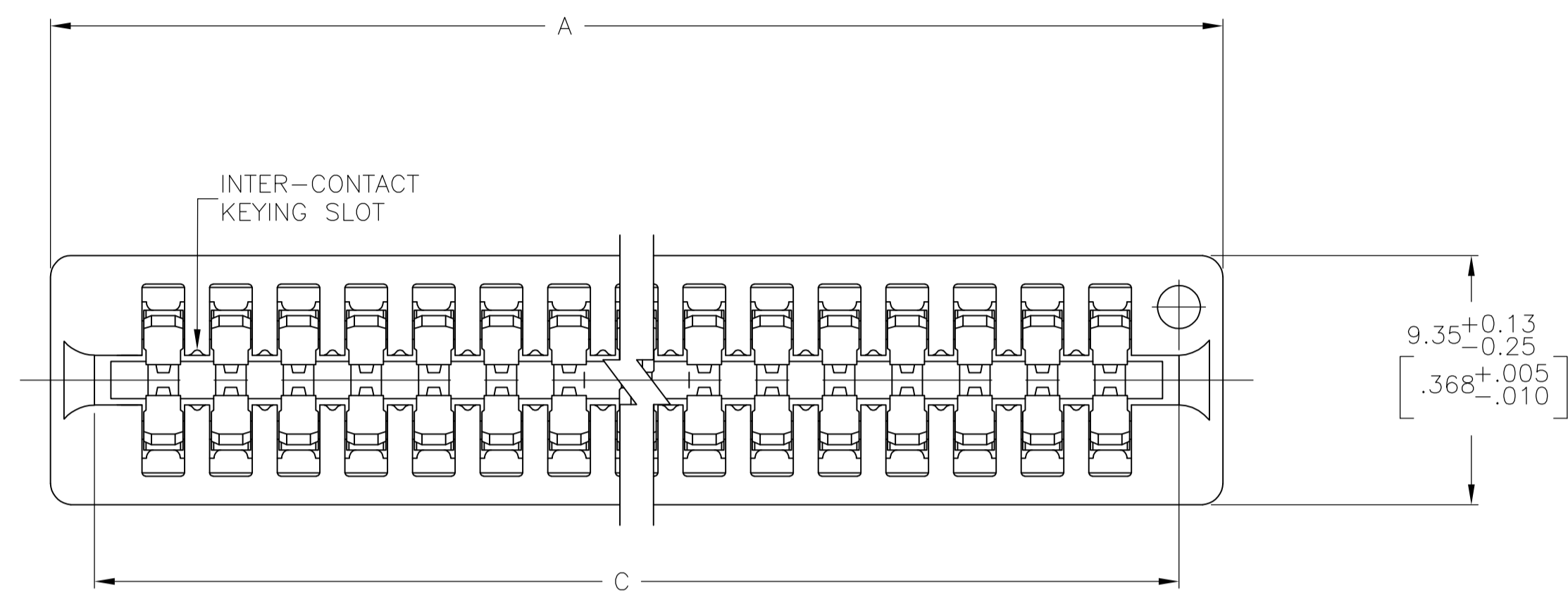


REVISIONS				
P	LTR	DESCRIPTION	DATE	OWN
-	-	SEE SHEET 1	-	-



THIS DRAWING IS A CONTROLLED DOCUMENT.		DIN R BROWN 31JUL00	TE Connectivity
DIMENSIONS: mm [INCHES]		CHK M MILLER 31JUL00	
TOLERANCES UNLESS OTHERWISE SPECIFIED:		APP'D M MILLER 31JUL00	NAME
0 PLC ± - 1 PLC ± - 2 PLC ± 0.13 [.005] 3 PLC ± - 4 PLC ± - ANGLES ± -		PRODUCT SPEC	CONNECTOR ASSEMBLY, NEXT GEN PACE, 2.54 [.100] CL
MATERIAL HOUSING 1 CONTACT 2		FINISH 3 4 5 6	RESTRICTED TO
CUSTOMER DRAWING		SIZE A1	SCALE 5:1 SHEET 2 OF 2 REV H