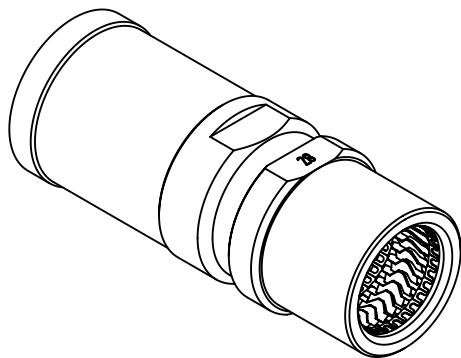


assembly notes see catalogue
 crimp zone acc. to DIN EN 46235 indicator 28
 for stranded fine wire acc. to VDE 0295 class 5/ IEC 60228 class 5
 wire gauge: 240mm²
 stripping length: 46mm



	All Dimensions in mm Original Size DIN A4	Scale 1:1		Free size tol.		Ref.	
		Created by SPRENB		Inspected by NICHTERLEIN		Standardisation RUETERA	
	All rights reserved Department EL PD	Title Han TC650 Buchsenkontakt 240mm ²				Doc-Key / ECM-Nr. 100503872/UGD/001/E 50000014.0366	
		HARTING Electric GmbH & Co. KG D-32339 Espelkamp		Type TB	Number 09 11 000 6268		Rev. E