

TABLE OF CONTENTS

| SHEET NO. | SHEET DESCRIPTION |
|-----------|------------------------------------------------------|
| 1 | NOTES |
| 2 | 1x2 RECEPTACLE SEALED ASSEMBLY KEYING CONFIGURATIONS |
| 3 | 1x3 RECEPTACLE SEALED ASSEMBLY KEYING CONFIGURATIONS |
| 4 | RECEPTACLE SEALED ASSEMBLY |
| 5 | 1x2 RECEPTACLE SEALED ASSEMBLY BOM SHEET 1 |
| 6 | 1x3 RECEPTACLE SEALED ASSEMBLY BOM SHEET 1 |
| 7 | OBSOLETE PART NUMBERS |

NOTES: VALID UNLESS OTHERWISE SPECIFIED

1. GENERAL:

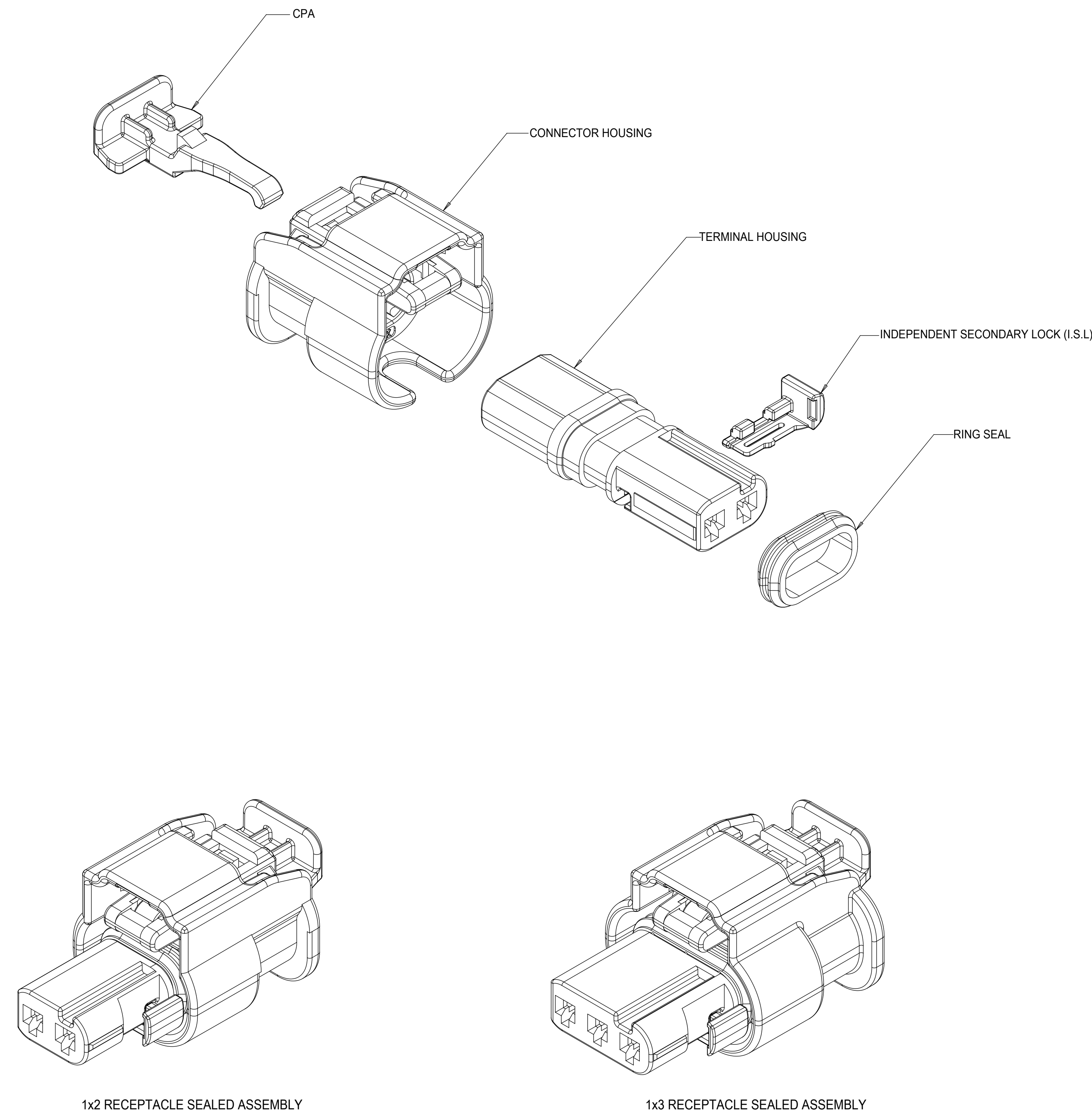
- a. APPLICATION SPECIFICATION SEE: AS-34900-0001
CONTAINS: PRODUCT INTRODUCTION, PRODUCT SUMMARY, CONNECTOR ASSEMBLY, PACKAGING INFORMATION, CONNECTOR MATING, SERVICE INSTRUCTIONS, ELECTRICAL CONTINUITY CHECKING, CRIMPING, AND TROUBLESHOOTING.
- b. PRODUCT SPECIFICATION SEE: PS-34900-0001
CONTAINS: PRODUCT INTRODUCTION, PRODUCT SUMMARY, RATINGS (CURRENT, TEMPERATURE, SEALING, AND FLAMMABILITY), AND PRODUCT VALIDATION.
- c. PACKAGING SPECIFICATION PER MOLEX DRAWING: PK-31301-898
- d. PARTS MUST BE IN COMPLIANCE TO MOLEX CHEMICAL SUBSTANCES FOR PRODUCTS AND PACKAGING SPECIFICATION: ES-40000-5016
- e. DATA MUST BE SUBMITTED UNDER THE MOLEX PART NUMBER TO IMDS (COMPANY ID#13255)
- f. DESIGNED TO MATE WITH DEVICE CONNECTION AS SPECIFIED IN BOM CHART
USCAR DRAWINGS AND MODELS ARE AVAILABLE AT <http://ewcap.uscarteams.org/>.

2. DESIGN - MATERIALS:

- a. SEE BOM TABLE

3. DESIGN - GEOMETRY:

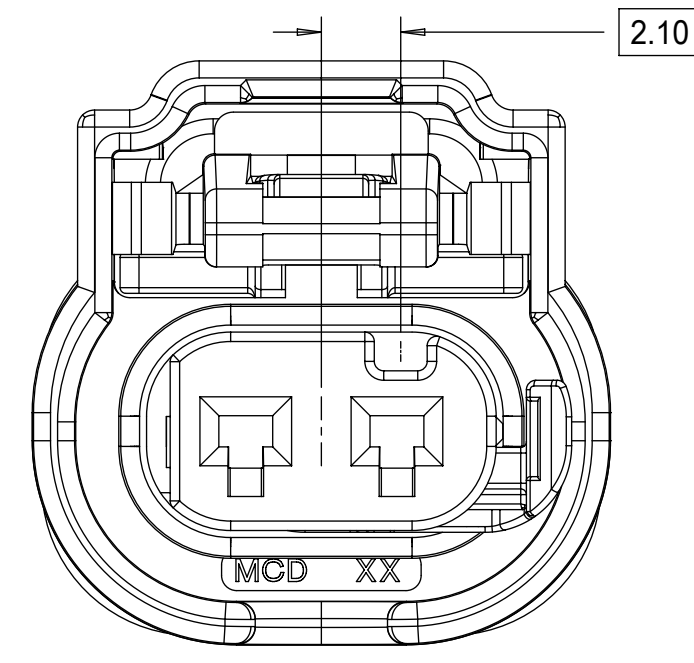
- a. THIS IS A 100% CAD GENERATED PART. THE CAD MATHEMATICAL DATA IS THE MASTER FOR THIS PART. FOR DIMENSIONAL OR ANY INFORMATION NOT SHOWN ON THIS DRAWING, ANALYZE THE CAD MODEL.
- b. GEOMETRIC DIMENSIONS AND TOLERANCES PER ASME Y14.5M - 1994
- c. EDGES AND UNDIMENSIONED DETAILS PER ISO13715
- d. CORNERS SHOWN AS SHARP TO BE R 0.2 MAX.
- e. LETTERING SHALL BE 0.15 MAX RAISED IN 0.25 MAX RECESS PAD.
THIS INCLUDES RECYCLING CODE, CAVITY ID, VENDOR IDENTIFICATION, AND CUSTOMER MATERIAL NUMBER.
- f. VISUAL DEFECTS SHALL MEET COSMETIC STANDARD PS-45499-002 (Class B)
- g. LASER MARKING:
 - 1. PART NUMBER
 - 2. DAY OF THE YEAR
 - 3. SHIFT
 - 4. YEAR



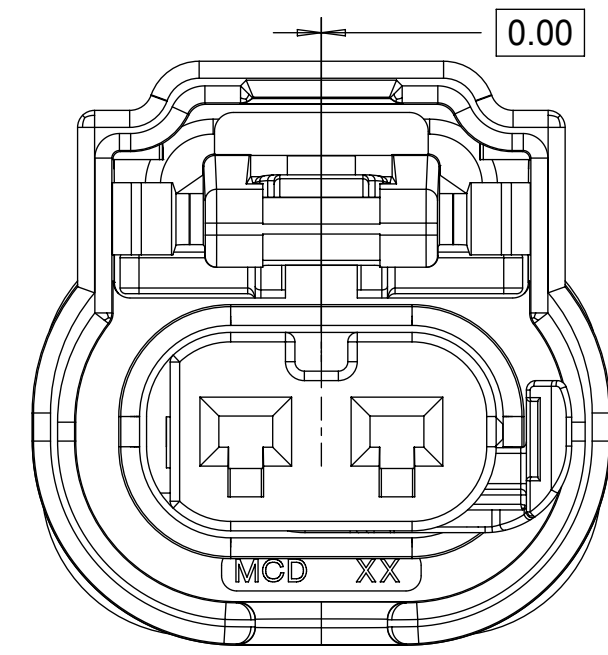
| | |
|-----|------------------------------------------------------------------|
| C3 | ADDED CPA2 PNs |
| C2 | UPDATED STATUS OF PNS |
| C1 | - NX-REMASTERING FROM MODEL MANAGER - 1X2 KEY C MADE SALEABLE |
| C | 34900-3127 RELEASED AS SALEABLE |
| B | PRIMARY KEYS (A,B) MOVED TO SALEABLE |
| A10 | ADDED 1X3 SEVERE VIBRATION PART NUMBER |
| A9 | 1X2 AND 1X3 PART # UPDATED DIMENSION 2 UPDATED |
| A8 | 1X2 PART # UPDATED TO "TOOLED BUT NOT VALIDATED" |
| A7 | 1X2 PART # UPDATED TO "TOOLED BUT NOT VALIDATED" |
| A6 | ADDED NEW PART NUMBERS FOR LATCH IMPROVEMENT |
| A5 | BOM CORRECTIONS AND UPDATES |
| A4 | BOM CORRECTIONS AND UPDATES |
| A3 | 1x2, 1x3 NON-SIR OK TO TOOL |
| A2 | MINOR BOM CORRECTIONS |
| A1 | ADDED COMPONENTS TO BOM |
| A | ADDED BLACK PART NUMBERS AND MINOR BOM UPDATES |
| 3 | ADDED 1x3 |
| 2 | MINOR BOM CORRECTIONS |
| 1 | INITIAL RELEASE |
| REV | DESCRIPTION |

| QUALITY SYMBOLS | THIS DRAWING CONTAINS INFORMATION THAT IS PROPRIETARY TO MOLEX ELECTRONIC TECHNOLOGIES, LLC AND SHOULD NOT BE USED WITHOUT WRITTEN PERMISSION | | DIMENSION UNITS | SCALE | molex® | | | |
|-----------------|-----------------------------------------------------------------------------------------------------------------------------------------------|------------|------------------------------------------------------|--------------|--------------------------------------------------------------------------------------------------------|--------------------------|-----------------|-----------------------|
| ▽ = 0 | 2019/08/05 | 2019/08/06 | mm | 4:1 | 1.2MM 1X2, 1X3 RECPT. SEALED ASSEMBLY CABLE SEAL 621905: ADDED CPA2 PNS, RE-ADDED PNS USING TERMINAL H | | | |
| ▽ = 0 | 2019/08/06 | 2019/08/06 | DRWN BY | DATE | | | | |
| ▽ = 0 | 2019/08/06 | 2019/08/06 | ANGULAR TOL ± 3.0 ° | MVANSLAMBROU | 2012/02/15 | PRODUCT CUSTOMER DRAWING | | |
| ▽ = 0 | 2019/08/06 | 2019/08/06 | 4 PLACES ± | CHKD BY | DATE | | | |
| ▽ = 0 | 2019/08/06 | 2019/08/06 | 3 PLACES ± | | 2013/11/06 | GENERAL MARKET | | |
| ▽ = 0 | 2019/08/06 | 2019/08/06 | 2 PLACES ± 0.1 | APPR BY | DATE | | | |
| ▽ = 0 | 2019/08/06 | 2019/08/06 | 1 PLACE ± 0.2 | GGA | 2012/12/13 | SEE TABLE | | |
| ▽ = 0 | 2019/08/06 | 2019/08/06 | 0 PLACES ± 0.5 | DRAWING SIZE | THIRD ANGLE PROJECTION | | | |
| ▽ = 0 | 2019/08/06 | 2019/08/06 | DRAFT WHERE APPLICABLE MUST REMAIN WITHIN DIMENSIONS | D | | SERIES | MATERIAL NUMBER | CUSTOMER |
| ▽ = 0 | 2019/08/06 | 2019/08/06 | | | | 34900 | 34900-2001 | PSD 001 |
| ▽ = 0 | 2019/08/06 | 2019/08/06 | | | | DOCUMENT NUMBER | DOC TYPE | DOC PART SHEET NUMBER |
| ▽ = 0 | 2019/08/06 | 2019/08/06 | | | | C3 | PSD | 001 |
| ▽ = 0 | 2019/08/06 | 2019/08/06 | | | | | | 1 OF 7 |

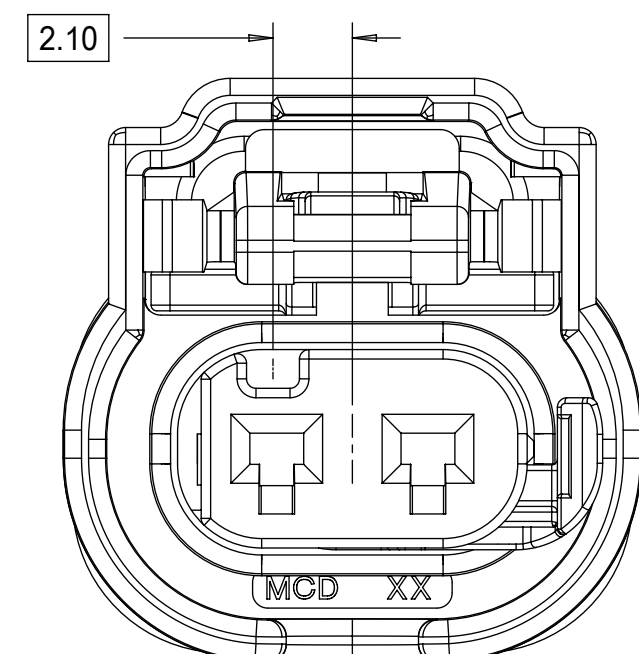
1x2 RECEPTACLE SEALED ASSEMBLY KEYING CONFIGURATIONS. FOR PART NUMBERS REFER TO BOM SHEET.



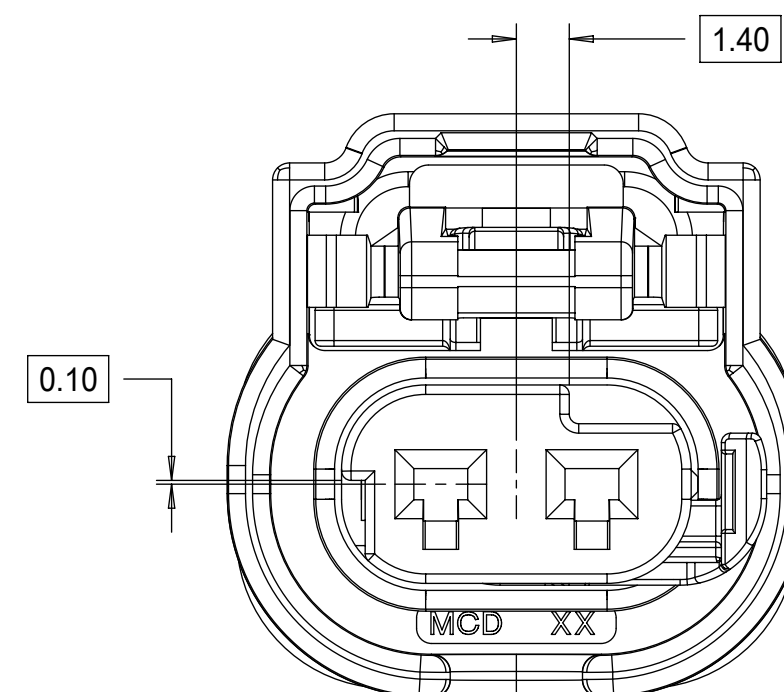
KEYING OPTION A



KEYING OPTION B



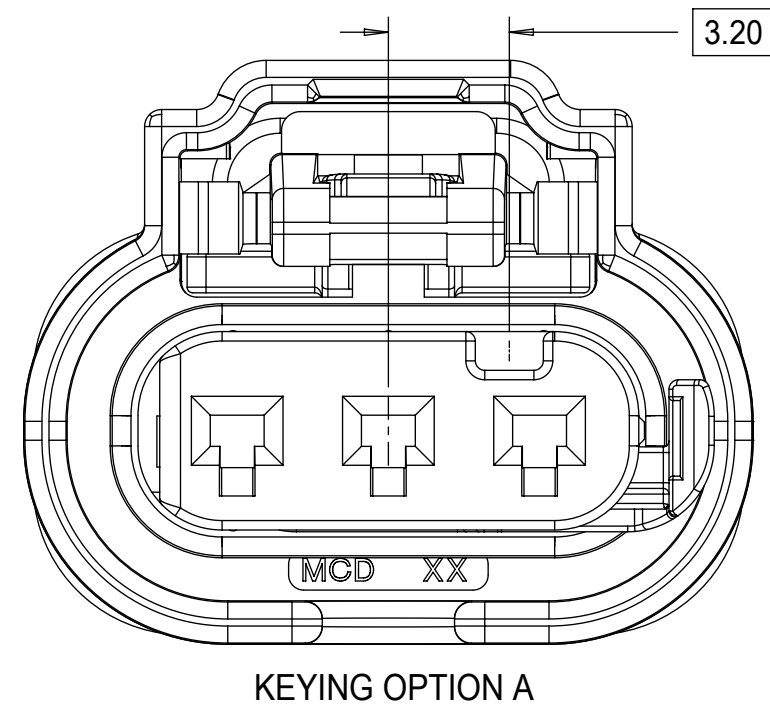
KEYING OPTION C



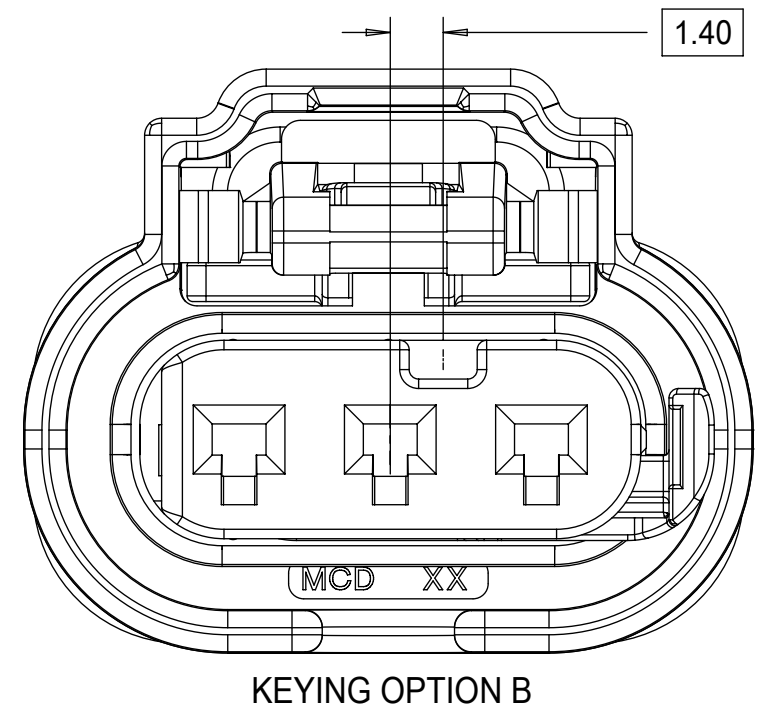
KEYING OPTION E

| | | | | | | | |
|--------------------------------------------------------------------------------------------------|--|-----------------------------------------------------------------------------------------------------------------------------------------------|--|------------------------------------------------------------------------------------------------------------------------------------------------------------------------------------------------------------------------|--|-------------------------------------------------------------------------------------------------------------------------------------------------------|--|
| QUALITY SYMBOLS ▽ = 0 ▽ = 0 ▽ = 0 ▽ = 0 ▽ = 0 ▽ = 0 ▽ = 0 ▽ = 0 ▽ = 0 | | THIS DRAWING CONTAINS INFORMATION THAT IS PROPRIETARY TO MOLEX ELECTRONIC TECHNOLOGIES, LLC AND SHOULD NOT BE USED WITHOUT WRITTEN PERMISSION | | GENERAL TOLERANCES (UNLESS SPECIFIED) DIMENSION UNITS: mm SCALE: 5:1 ANGULAR TOL ± 3.0 ° DRWN BY: MVANSLAMBROU DATE: 2012/02/15 CHKD BY: GGA DATE: 2013/11/06 APPR BY: GGA DATE: 2012/12/13 | | molex 1.2MM 1X2, 1X3 RECPT. SEALED ASSEMBLY CABLE SEAL 621905: ADDED CPA2 PNS, RE-ADDED PNS USING TERMINAL H PRODUCT CUSTOMER DRAWING | |
| EC NO: 621905 DRWN: GELLIOTTO1 CHKD: KBORUSZEWSKI REV: APPR: KBORUSZEWSKI | | 2019/08/05 2019/08/06 2019/08/06 | | 4 PLACES ± 3 PLACES ± 2 PLACES ± 0.1 1 PLACE ± 0.2 0 PLACES ± 0.5 | | SERIES: 34900 MATERIAL NUMBER: SEE BOM CUSTOMER: GENERAL MARKET | |
| RELEASE STATUS: P1 RELEASE DATE: 2019/08/06 16:09:04 | | DRAFT WHERE APPLICABLE MUST REMAIN WITHIN DIMENSIONS | | DRAWING SIZE: D THIRD ANGLE PROJECTION | | DOCUMENT NUMBER: SD-34900-2001 DOC TYPE: PSD DOC PART: 001 SHEET NUMBER: 2 OF 7 | |

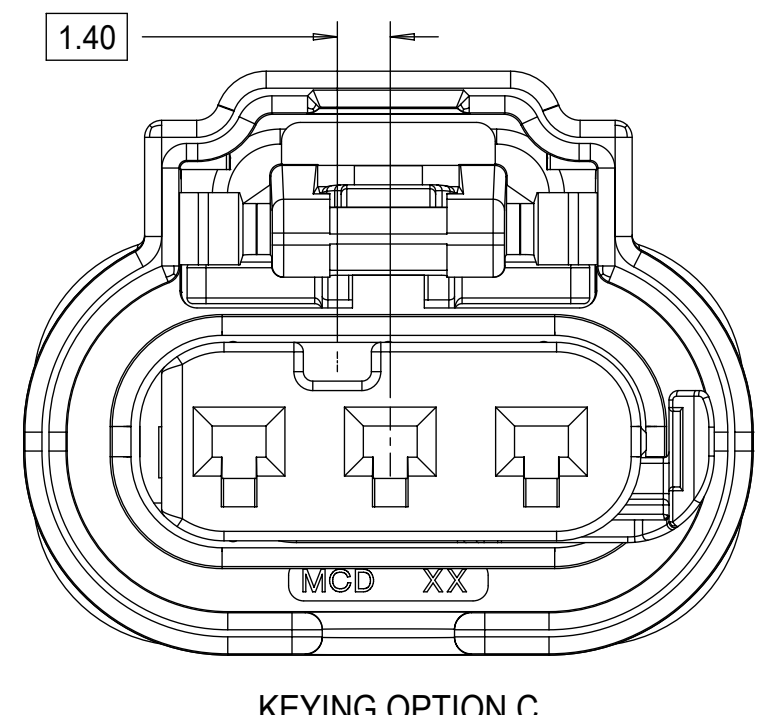
1x3 RECEPTACLE SEALED ASSEMBLY KEYING CONFIGURATIONS. FOR PART NUMBERS REFER TO BOM SHEET.



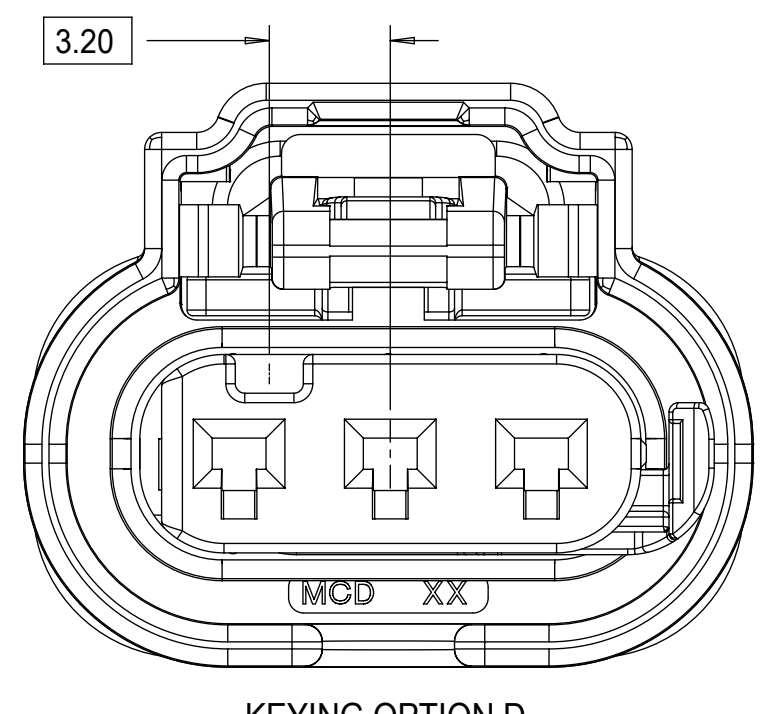
KEYING OPTION A



KEYING OPTION B

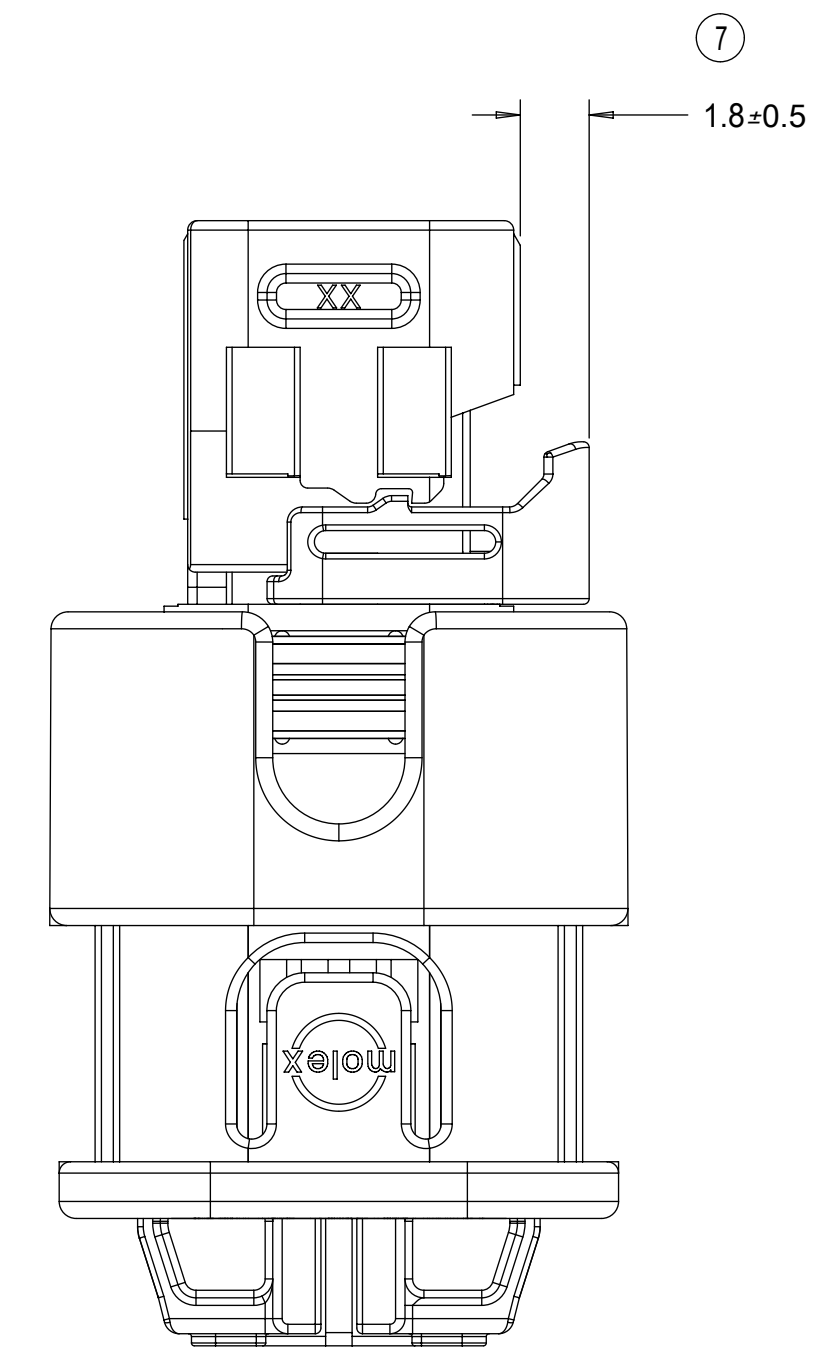
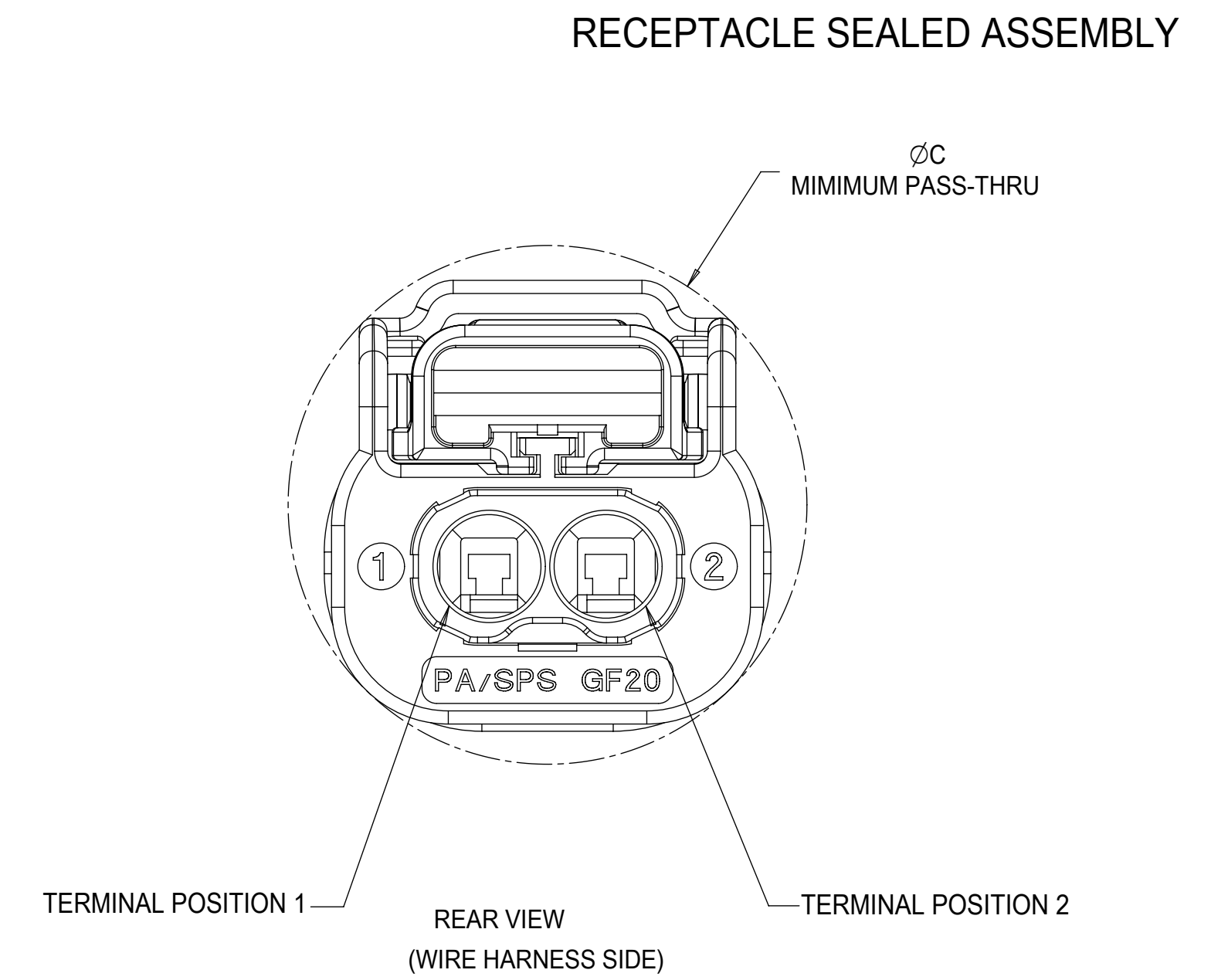
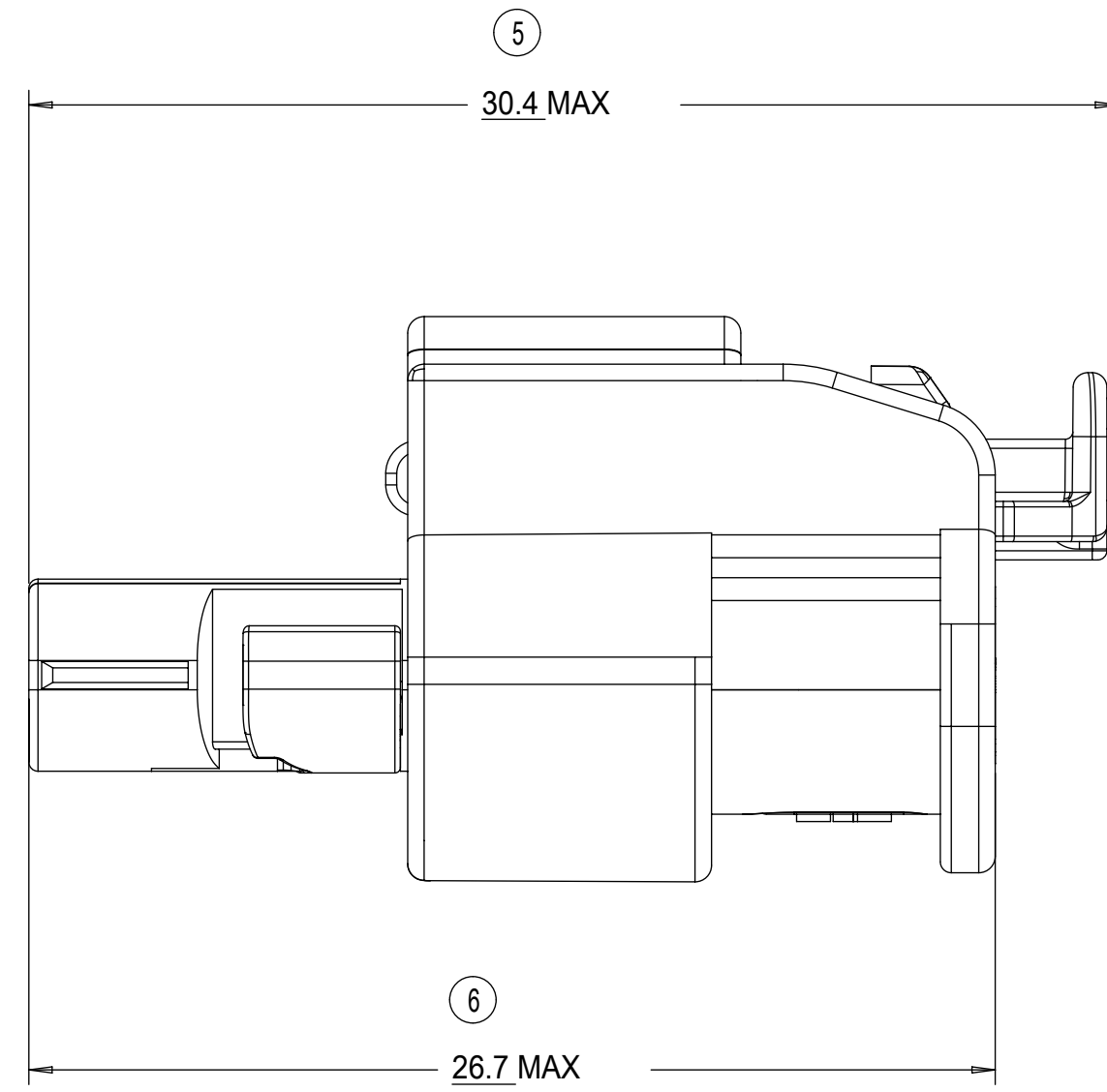
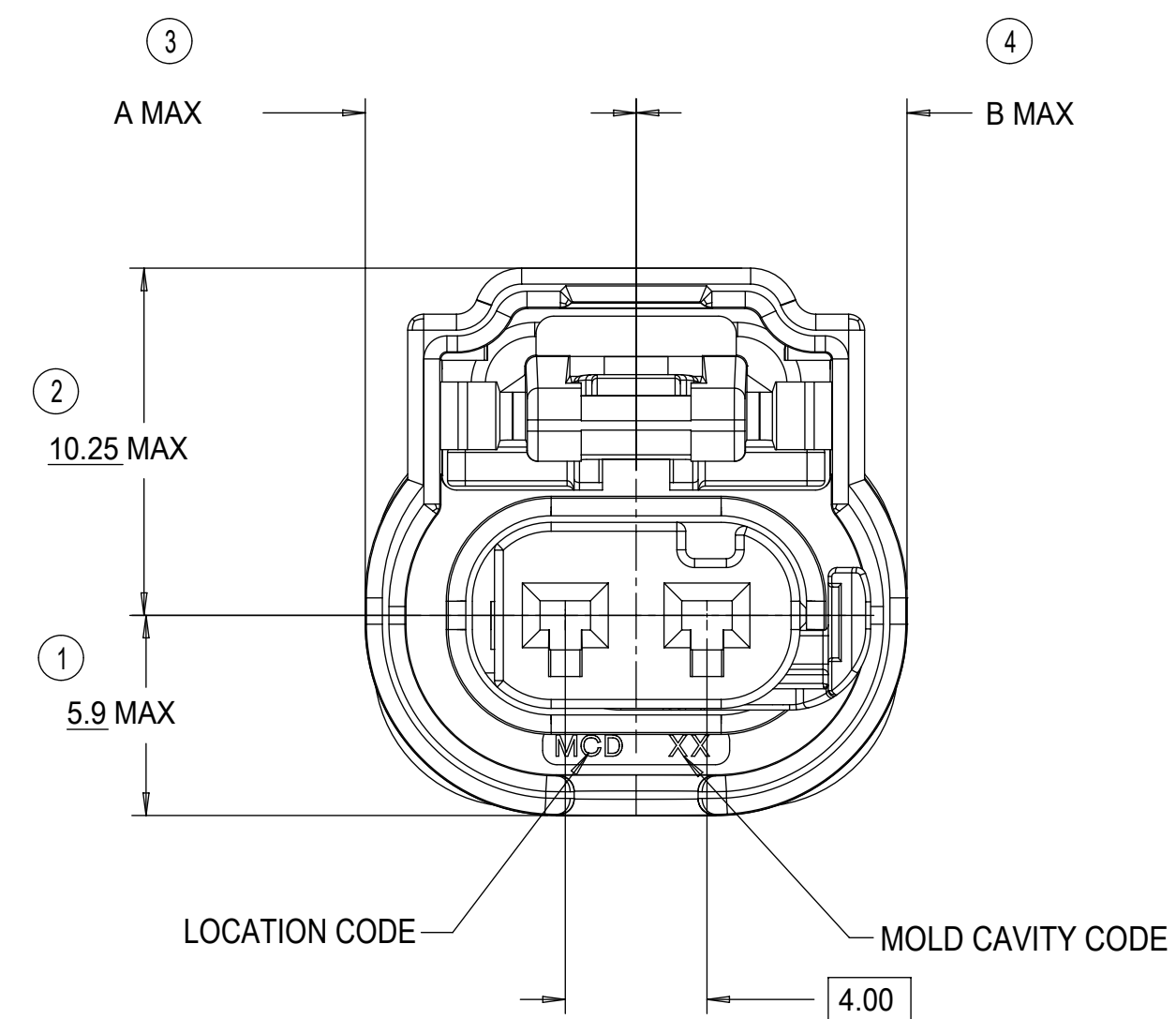
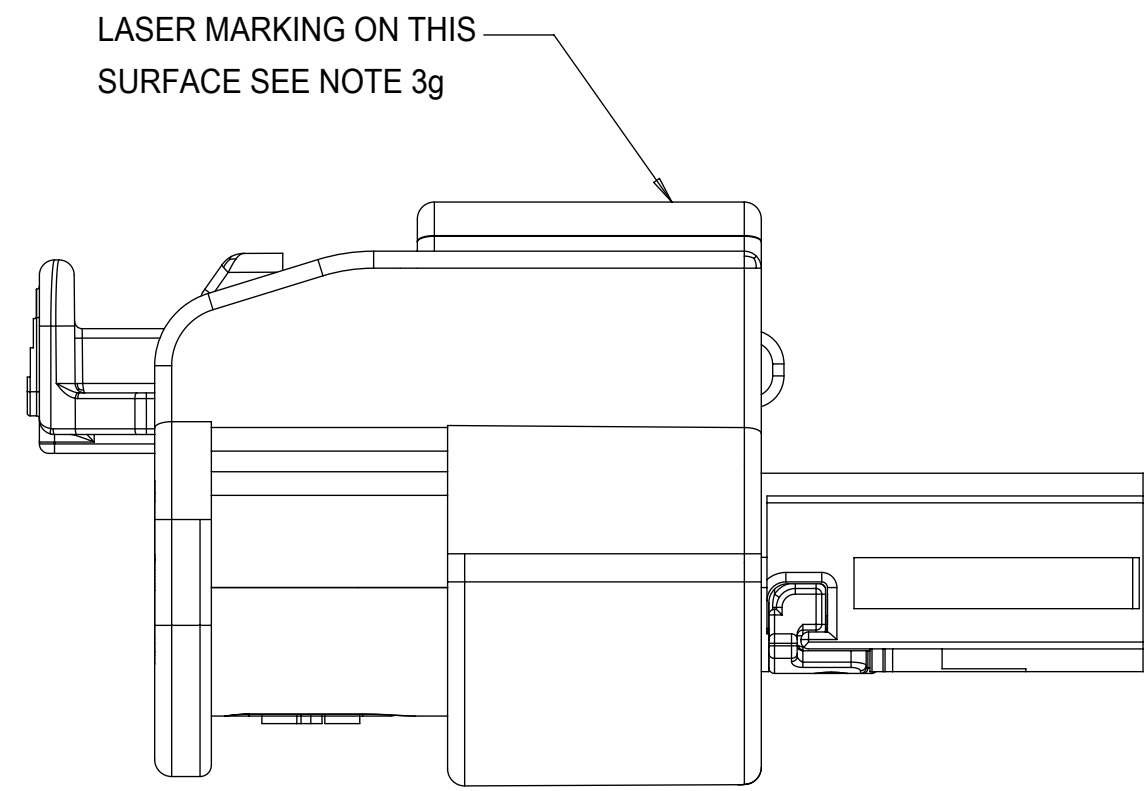


KEYING OPTION C

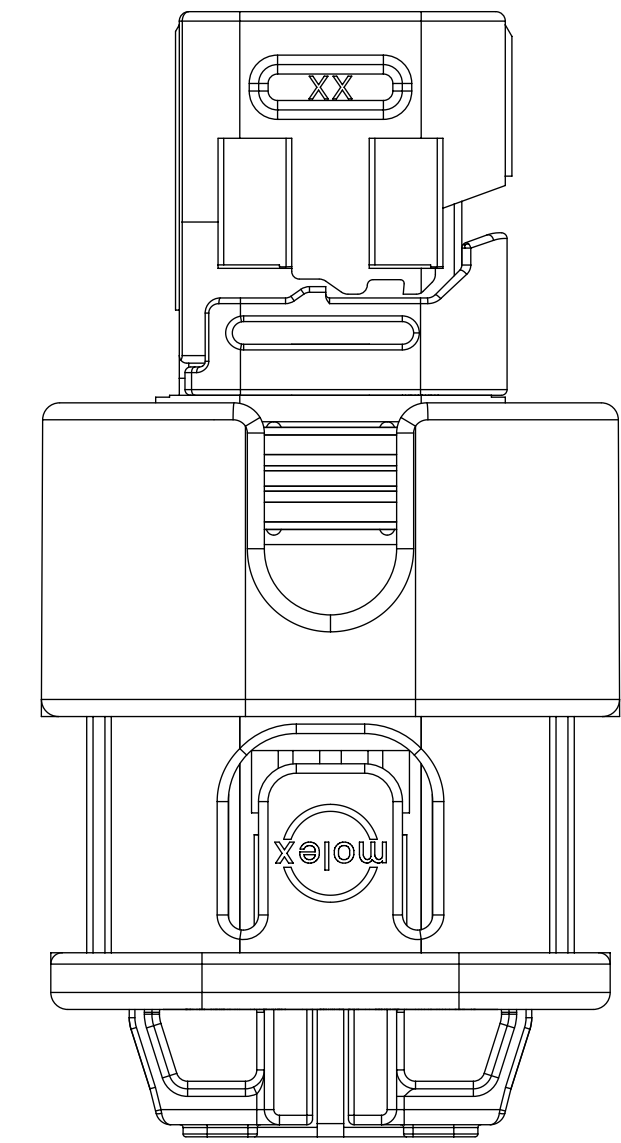


KEYING OPTION D

| | | | | | | | | | | | | | | | | | | | |
|------------------------------------------------------------------------------------------------------------------|--|-----------------------------------------------------------------------------------------------------------------------------------------------|--|------------------------------------------------------------------------------------|--|------------------------------------------------------|--|-------------------------------------------------------------------------------------------------------------------------------------------------------------------------------------------------------|--|--------------------------------------------------------------------------------------------------------------------------------------------------------|--|---------------------------------------------------------------------------------------------------------------------|--|--------------------------|--|-----------------------------------------------------------------------|--|------------------------------------------------------------------------------------------|--|
| QUALITY SYMBOLS □ = 0 ▽ = 0 ▽ = 0 ▽ = 0 ▽ = 0 ▽ = 0 ▽ = 0 ▽ = 0 ▽ = 0 ▽ = 0 | | THIS DRAWING CONTAINS INFORMATION THAT IS PROPRIETARY TO MOLEX ELECTRONIC TECHNOLOGIES, LLC AND SHOULD NOT BE USED WITHOUT WRITTEN PERMISSION | | EC NO: 621905 DRWN: GELLIOTTO1 CHKD: KBORUSZEWSKI REV: APPR: KBORUSZEWSKI | | 2019/08/05 2019/08/06 2019/08/06 2019/08/06 | | GENERAL TOLERANCES (UNLESS SPECIFIED) ANGULAR TOL ± 3.0 ° 4 PLACES ± 3 PLACES ± 2 PLACES ± 0.1 1 PLACE ± 0.2 0 PLACES ± 0.5 DRAFT WHERE APPLICABLE MUST REMAIN WITHIN DIMENSIONS | | DIMENSION UNITS: mm SCALE: 5:1 DRWN BY: MVANSLAMBROU DATE: 2012/02/15 CHKD BY: GGA DATE: 2013/11/06 APPR BY: GGA DATE: 2012/12/13 | | molex® 1.2MM 1X2, 1X3 RECPT. SEALED ASSEMBLY CABLE SEAL 621905: ADDED CPA2 PNS, RE-ADDED PNS USING TERMINAL H | | PRODUCT CUSTOMER DRAWING | | SERIES: 34900 MATERIAL NUMBER: SEE BOM CUSTOMER: GENERAL MARKET | | DOCUMENT NUMBER: SD-34900-2001 DOC TYPE: PSD DOC PART: 001 SHEET NUMBER: 3 OF 7 | |
|------------------------------------------------------------------------------------------------------------------|--|-----------------------------------------------------------------------------------------------------------------------------------------------|--|------------------------------------------------------------------------------------|--|------------------------------------------------------|--|-------------------------------------------------------------------------------------------------------------------------------------------------------------------------------------------------------|--|--------------------------------------------------------------------------------------------------------------------------------------------------------|--|---------------------------------------------------------------------------------------------------------------------|--|--------------------------|--|-----------------------------------------------------------------------|--|------------------------------------------------------------------------------------------|--|



INDEPENDENT SECONDARY LOCK (ISL)
SHOWN IN THE PRE-STAGED POSITION



INDEPENDENT SECONDARY LOCK (ISL)
SHOWN IN THE FINAL-LOCK POSITION

| | | | |
|--------------------------------|------|------|-------|
| 1x3 RECEPTACLE SEALED ASSEMBLY | 10.0 | 10.0 | 20.75 |
| 1x2 RECEPTACLE SEALED ASSEMBLY | 8.0 | 8.0 | 18.75 |
| CONFIGURATION | A | B | C |

CHARTED DIMENSIONS

| | | | | | | |
|-----------------------------------------------------------------------------------|-------------------------------------------------------------------------------------------------------------------------------------------------------------------------------------------------------|-----------------------------|----------------------------------|---------------------|-----------------------------------|----------------------------|
| QUALITY SYMBOLS | THIS DRAWING CONTAINS INFORMATION THAT IS PROPRIETARY TO MOLEX ELECTRONIC TECHNOLOGIES, LLC AND SHOULD NOT BE USED WITHOUT WRITTEN PERMISSION | | DIMENSION UNITS mm | SCALE 5:1 | | |
| | GENERAL TOLERANCES (UNLESS SPECIFIED) ANGULAR TOL ± 3.0 ° 4 PLACES ± 3 PLACES ± 2 PLACES ± 0.1 1 PLACE ± 0.2 0 PLACES ± 0.5 DRAFT WHERE APPLICABLE MUST REMAIN WITHIN DIMENSIONS | DRWN BY MVANSLAMBROU | DATE 2012/02/15 | CHKD BY GGA | | DATE 2013/11/06 |
| EC NO: 621905 DRWN: GELLIOTTO1 CHKD: KBORUSZEWSKI REV APPR: KBORUSZEWSKI | EC NO: 621905 DRWN: GELLIOTTO1 CHKD: KBORUSZEWSKI REV APPR: KBORUSZEWSKI | DIMENSION UNITS D | THIRD ANGLE PROJECTION | SERIES 34900 | MATERIAL NUMBER SEE BOM | CUSTOMER GENERAL MARKET |
| RELEASE STATUS P1 | RELEASE DATE 2019/08/06 | 16:09:04 | DOCUMENT NUMBER SD-34900-2001 | DOC TYPE PSD | DOC PART 001 | SHEET NUMBER 4 OF 7 |

1X2 RECEPTACLE SEALED ASSEMBLY BOM SHEET 1

| | | | | | | | | | | | | | | | | | | | | |
|-------------------------|-------------|-----------------------|---------------------------------------|--|--|--|--|-----|-----|---|---|---|------|------|--------|--------------------------|-----------------------------------------|---|---|---|
| KEYING OPTION E, BLACK | 34900-2223 | -40 TO 155 | 4 | | | | | | CHB | | | | E | | CPA2 | TOOLED BUT NOT VALIDATED | | 1 | 2 | 3 |
| KEYING OPTION C, BLACK | 34900-2222 | -40 TO 155 | 4 | | | | | | CHB | | | | C | | CPA2 | TOOLED BUT NOT VALIDATED | | 1 | 2 | 3 |
| KEYING OPTION B, BLACK | 34900-2221 | -40 TO 155 | 4 | | | | | | CHB | | B | | | | CPA2 | TOOLED BUT NOT VALIDATED | | 1 | 2 | 3 |
| KEYING OPTION A, BLACK | 34900-2220 | -40 TO 155 | 4 | | | | | | CHB | A | | | | | CPA2 | TOOLED BUT NOT VALIDATED | | 1 | 2 | 3 |
| KEYING OPTION E, YELLOW | 34900-2204 | -40 TO 125 | 2 | | | | | | CHY | | | | | E | CPA2 | TOOLED BUT NOT VALIDATED | | 1 | 2 | 3 |
| KEYING OPTION C, YELLOW | 34900-2203 | -40 TO 125 | 2 | | | | | | CHY | | | | C | | CPA2 | TOOLED BUT NOT VALIDATED | | 1 | 2 | 3 |
| KEYING OPTION B, YELLOW | 34900-2202 | -40 TO 125 | 2 | | | | | | CHY | | B | | | | CPA2 | TOOLED BUT NOT VALIDATED | | 1 | 2 | 3 |
| KEYING OPTION A, YELLOW | 34900-2201 | -40 TO 125 | 2 | | | | | | CHY | A | | | | | CPA2 | TOOLED BUT NOT VALIDATED | | 1 | 2 | 3 |
| KEYING OPTION E, BLACK | 34900-2123 | -40 TO 155 | 4 | | | | | | CHB | | | | E | CPA1 | | TOOLED BUT NOT VALIDATED | | 1 | 2 | 3 |
| KEYING OPTION C, BLACK | 34900-2122 | -40 TO 155 | 4 | | | | | | CHB | | | | C | CPA1 | | SALEABLE | | 1 | 2 | 3 |
| KEYING OPTION B, BLACK | 34900-2121 | -40 TO 155 | 4 | | | | | | CHB | | B | | | CPA1 | | SALEABLE | | 1 | 2 | 3 |
| KEYING OPTION A, BLACK | 34900-2120 | -40 TO 155 | 4 | | | | | | CHB | A | | | | CPA1 | | SALEABLE | | 1 | 2 | 3 |
| KEYING OPTION E, YELLOW | 34900-2104 | -40 TO 125 | 2 | | | | | | CHY | | | | E | CPA1 | | TOOLED BUT NOT VALIDATED | | 1 | 2 | 3 |
| KEYING OPTION C, YELLOW | 34900-2103 | -40 TO 125 | 2 | | | | | | CHY | | | | C | CPA1 | | SALEABLE | | 1 | 2 | 3 |
| KEYING OPTION B, YELLOW | 34900-2102 | -40 TO 125 | 2 | | | | | | CHY | | B | | | CPA1 | | SALEABLE | | 1 | 2 | 3 |
| KEYING OPTION A, YELLOW | 34900-2101 | -40 TO 125 | 2 | | | | | | CHY | A | | | | CPA1 | | SALEABLE | | 1 | 2 | 3 |
| KEYING OPTION B, YELLOW | 34900-2002 | -40 TO 125 | 2 | | | | | CHY | | | B | | | CPA1 | | SALEABLE | | 1 | 2 | 3 |
| KEYING OPTION A, YELLOW | 34900-2001 | -40 TO 125 | 2 | | | | | CHY | | | A | | | CPA1 | | SALEABLE | | 1 | 2 | 3 |
| ASSEMBLY DESCRIPTION | PART NUMBER | OPERATING TEMPERATURE | VIBRATION CLASS PER GMW3191 DEC. 2007 | | | | | | A | B | C | E | CPA1 | CPA2 | STATUS | COMMENTS | DESIGNED TO MATE WITH DEVICE CONNECTION | | | |

| DESCRIPTION | COLOR | MATERIAL | COMMENTS |
|----------------------------------|------------|--------------------------------|---------------|
| RING SEAL | BURNT RED | INHERENTLY LUBRICATED SILICONE | |
| ISL | NATURAL | SPS/NYLON GF20 | |
| CPA2 | RED | PBT GF30 | |
| CPA1 | RED | PBT GF30 | |
| TERMINAL HOUSING KEYING OPTION E | STONE GRAY | SPS/NYLON GF20 | |
| TERMINAL HOUSING KEYING OPTION C | DARK GRAY | SPS/NYLON GF20 | |
| TERMINAL HOUSING KEYING OPTION B | LT. GRAY | SPS/NYLON GF20 | |
| TERMINAL HOUSING KEYING OPTION A | BLACK | SPS/NYLON GF20 | |
| CONNECTOR HOUSING | BLACK | SPS/NYLON GF20 | UPDATED LATCH |
| CONNECTOR HOUSING | YELLOW | SPS/NYLON GF20 | UPDATED LATCH |
| CONNECTOR HOUSING | BLACK | SPS/NYLON GF20 | |
| CONNECTOR HOUSING | YELLOW | SPS/NYLON GF20 | |

BOM / APPLICABLE COMPONENTS TABLE

| ABBREVIATION | COMPONENT |
|--------------|---------------------------------------------------------------|
| CHY | CONNECTOR HOUSING YELLOW |
| CHB | CONNECTOR HOUSING BLACK |
| A | TERMINAL HOUSING KEY A |
| B | TERMINAL HOUSING KEY B |
| C | TERMINAL HOUSING KEY C |
| E | TERMINAL HOUSING KEY E |
| CPA1 | CPA VERSION 1 |
| CPA2 | CPA VERSION 2 |
| ISL | ISL |
| R | RING SEAL |
| 1 | USCAR INTERFACE 120-S-003-1-Z01 SEE NOTE 1f FOR WEBSITE |
| 2 | MOLEX INLINE BLADE CONNECTOR E-34899-2001 |
| 3 | USCAR INTERFACE 120-S-003-1-Z02 SEE NOTE 1f FOR WEBSITE |

| | | | | | |
|-------------------|-----------------------------------------------------------------------------------------------------------------------------------------------|---------------------------------------|--------------|-------------------------------|---------------------|
| QUALITY SYMBOLS | THIS DRAWING CONTAINS INFORMATION THAT IS PROPRIETARY TO MOLEX ELECTRONIC TECHNOLOGIES, LLC AND SHOULD NOT BE USED WITHOUT WRITTEN PERMISSION | | | | |
| ▽ = 0 | 2019/08/05 DRWN: GELLIOTTO1 CHKD: KBORUSZEWSKI REV APPR: KBORUSZEWSKI | GENERAL TOLERANCES (UNLESS SPECIFIED) | | DIMENSION UNITS | SCALE |
| ▽ = 0 | | ANGULAR TOL ± 3.0 ° | | mm | 2:1 |
| ▽ = 0 | | 4 PLACES ± | | DRWN BY | DATE |
| ▽ = 0 | | 3 PLACES ± | | MVANSLAMBROU | 2012/02/15 |
| ▽ = 0 | 2 PLACES ± 0.1 | | CHKD BY | DATE | |
| ▽ = 0 | 1 PLACE ± 0.2 | | 2013/11/06 | | |
| ▽ = 0 | 0 PLACES ± 0.5 | | APPR BY | DATE | |
| ▽ = 0 | DRAFT WHERE APPLICABLE MUST REMAIN WITHIN DIMENSIONS | | GGA | 2012/12/13 | |
| ▽ = 0 | | | DRAWING SIZE | THIRD ANGLE PROJECTION | |
| ▽ = 0 | | | D | | |
| EC NO: 621905 | | SERIES | | MATERIAL NUMBER | CUSTOMER |
| C3 | | 34900 | | 9999999999 | GENERAL MARKET |
| RELEASE STATUS P1 | | RELEASE DATE 2019/08/06 16:09:04 | | DOCUMENT NUMBER SD-34900-2001 | DOC TYPE PSD |
| | | | | DOC PART 001 | SHEET NUMBER 5 OF 7 |

1X3 RECEPTACLE SEALED ASSEMBLY BOM SHEET 1

| | | | | | | | | | | | | | | | | |
|-----------------------------|-------------|-----------------------|---------------------------------------|-----|-----|---|---|---|---|------|------|--------------------------|------------|--------|----------|-----------------------------------------|
| KEYING OPTION D, STONE GRAY | 34900-3223 | -40 TO 125 | 2 | | CHB | | | D | | | CPA2 | TOOLED BUT NOT VALIDATED | | 1 | 2 | 3 |
| KEYING OPTION C, DARK GRAY | 34900-3222 | -40 TO 125 | 2 | | CHB | | C | | | | CPA2 | TOOLED BUT NOT VALIDATED | | 1 | 2 | 3 |
| KEYING OPTION B, LIGHT GRAY | 34900-3221 | -40 TO 125 | 2 | | CHB | B | | | | | CPA2 | TOOLED BUT NOT VALIDATED | | 1 | 2 | 3 |
| KEYING OPTION A, BLACK | 34900-3220 | -40 TO 125 | 2 | | CHB | A | | | | | CPA2 | TOOLED BUT NOT VALIDATED | | 1 | 2 | 3 |
| KEYING OPTION D, YELLOW | 34900-3204 | -40 TO 125 | 2 | CHY | | | D | | | | CPA2 | TOOLED BUT NOT VALIDATED | | 1 | 2 | 3 |
| KEYING OPTION C, YELLOW | 34900-3203 | -40 TO 125 | 2 | CHY | | | C | | | | CPA2 | TOOLED BUT NOT VALIDATED | | 1 | 2 | 3 |
| KEYING OPTION B, YELLOW | 34900-3202 | -40 TO 125 | 2 | CHY | | B | | | | | CPA2 | TOOLED BUT NOT VALIDATED | | 1 | 2 | 3 |
| KEYING OPTION A, YELLOW | 34900-3201 | -40 TO 125 | 2 | CHY | A | | | | | | CPA2 | TOOLED BUT NOT VALIDATED | | 1 | 2 | 3 |
| KEYING OPTION D, STONE GRAY | 34900-3127 | -40 TO 125 | CONTACT MOLEX FOR INFO | | CHB | | | D | | CPA1 | | SALEABLE | RESTRICTED | 1 | 2 | 3 |
| KEYING OPTION A, BLACK | 34900-3124 | -40 TO 125 | CONTACT MOLEX FOR INFO | | CHB | | A | | | CPA1 | | SALEABLE | RESTRICTED | 1 | 2 | 3 |
| KEYING OPTION D, STONE GRAY | 34900-3123 | -40 TO 125 | 2 | | CHB | | D | | | CPA1 | | TOOLED BUT NOT VALIDATED | | 1 | 2 | 3 |
| KEYING OPTION C, DARK GRAY | 34900-3122 | -40 TO 125 | 2 | | CHB | | C | | | CPA1 | | TOOLED BUT NOT VALIDATED | | 1 | 2 | 3 |
| KEYING OPTION B, LIGHT GRAY | 34900-3121 | -40 TO 125 | 2 | | CHB | B | | | | CPA1 | | SALEABLE | | 1 | 2 | 3 |
| KEYING OPTION A, BLACK | 34900-3120 | -40 TO 125 | 2 | | CHB | A | | | | CPA1 | | SALEABLE | | 1 | 2 | 3 |
| KEYING OPTION D, YELLOW | 34900-3104 | -40 TO 125 | 2 | CHY | | | D | | | CPA1 | | TOOLED BUT NOT VALIDATED | | 1 | 2 | 3 |
| KEYING OPTION C, YELLOW | 34900-3103 | -40 TO 125 | 2 | CHY | | | C | | | CPA1 | | TOOLED BUT NOT VALIDATED | | 1 | 2 | 3 |
| KEYING OPTION B, YELLOW | 34900-3102 | -40 TO 125 | 2 | CHY | | B | | | | CPA1 | | SALEABLE | | 1 | 2 | 3 |
| KEYING OPTION A, YELLOW | 34900-3101 | -40 TO 125 | 2 | CHY | A | | | | | CPA1 | | SALEABLE | | 1 | 2 | 3 |
| ASSEMBLY DESCRIPTION | PART NUMBER | OPERATING TEMPERATURE | VIBRATION CLASS PER GMW3191 DEC. 2007 | | | A | B | C | D | A | D | CPA1 | CPA2 | STATUS | COMMENTS | DESIGNED TO MATE WITH DEVICE CONNECTION |

| | | | |
|----------------------------------------|------------|--------------------------------|---------------|
| RING SEAL | LIGHT BLUE | INHERENTLY LUBRICATED SILICONE | |
| ISL | NATURAL | SPS/NYLON GF20 | |
| CPA2 | RED | PBT GF30 | |
| CPA1 | RED | PBT GF30 | |
| TERMINAL HOUSING KEYING OPTION D, Alt. | STONE GRAY | SPS/NYLON GF20 | RESTRICTED |
| TERMINAL HOUSING KEYING OPTION A, Alt. | BLACK | SPS/NYLON GF20 | RESTRICTED |
| TERMINAL HOUSING KEYING OPTION D | STONE GRAY | SPS/NYLON GF20 | |
| TERMINAL HOUSING KEYING OPTION C | DARK GRAY | SPS/NYLON GF20 | |
| TERMINAL HOUSING KEYING OPTION B | LT. GRAY | SPS/NYLON GF20 | |
| TERMINAL HOUSING KEYING OPTION A | BLACK | SPS/NYLON GF20 | |
| CONNECTOR HOUSING | BLACK | SPS/NYLON GF20 | UPDATED LATCH |
| CONNECTOR HOUSING | YELLOW | SPS/NYLON GF20 | UPDATED LATCH |
| CONNECTOR HOUSING | BLACK | SPS/NYLON GF20 | |
| CONNECTOR HOUSING | YELLOW | SPS/NYLON GF20 | |
| DESCRIPTION | COLOR | MATERIAL | COMMENTS |

BOM / APPLICABLE COMPONENTS TABLE

LEGEND TABLE

| ABBREVIATION | COMPONENT |
|--------------|---------------------------------------------------------------|
| CHY | CONNECTOR HOUSING YELLOW |
| CHB | CONNECTOR HOUSING BLACK |
| A | TERMINAL HOUSING KEY A |
| B | TERMINAL HOUSING KEY B |
| C | TERMINAL HOUSING KEY C |
| D | TERMINAL HOUSING KEY D |
| CPA1 | CPA VERSION 1 |
| CPA2 | CPA VERSION 2 |
| ISL | ISL |
| R | RING SEAL |
| 1 | USCAR INTERFACE 120-S-002-1-Z01 SEE NOTE 1f FOR WEBSITE |
| 2 | MOLEX INLINE BLADE CONNECTOR E-34899-2001 |
| 3 | USCAR INTERFACE 120-S-002-1-Z02 SEE NOTE 1f FOR WEBSITE |

| | | | | |
|------------------------|-----------------------------------------------------------------------------------------------------------------------------------------------|------------------------------------------------------|-----------------|------------------------|
| QUALITY SYMBOLS | THIS DRAWING CONTAINS INFORMATION THAT IS PROPRIETARY TO MOLEX ELECTRONIC TECHNOLOGIES, LLC AND SHOULD NOT BE USED WITHOUT WRITTEN PERMISSION | | | |
| ▽ = 0 | 2019/08/05 DRWN: GELLIOTTO1 CHKD: KBORUSZEWSKI REV APPR: KBORUSZEWSKI | GENERAL TOLERANCES (UNLESS SPECIFIED) | DIMENSION UNITS | SCALE |
| ▽ = 0 | | mm | 5:1 | |
| ▽ = 0 | | ANGULAR TOL ± 3.0 ° | DRWN BY | DATE |
| ▽ = 0 | | 4 PLACES ± | MVANSLAMBROU | 2012/02/15 |
| ▽ = 0 | | 3 PLACES ± | CHKD BY | DATE |
| ▽ = 0 | | 2 PLACES ± 0.1 | | 2013/11/06 |
| ▽ = 0 | | 1 PLACE ± 0.2 | APPR BY | DATE |
| ▽ = 0 | | 0 PLACES ± 0.5 | GGA | 2012/12/13 |
| ▽ = 0 | | DRAFT WHERE APPLICABLE MUST REMAIN WITHIN DIMENSIONS | DRAWING SIZE | THIRD ANGLE PROJECTION |
| ▽ = 0 | | | D | |
| EC NO: 621905 | | | | |
| DRWN: GELLIOTTO1 | | | | |
| CHKD: KBORUSZEWSKI | | | | |
| REV APPR: KBORUSZEWSKI | | | | |
| C3 | | | | |
| RELEASE STATUS | P1 | RELEASE DATE | 2019/08/06 | 16:09:04 |
| SERIES | | MATERIAL NUMBER | | CUSTOMER |
| 34900 | | 9999999999 | | GENERAL MARKET |
| DOCUMENT NUMBER | | DOC TYPE | | DOC PART SHEET NUMBER |
| SD-34900-2001 | | PSD | | 001 6 OF 7 |

OBSOLETE PART NUMBERS

| | |
|-----------------------|----------|
| 34900-2023 | OBSOLETE |
| 34900-2022 | OBSOLETE |
| 34900-2021 | OBSOLETE |
| 34900-2020 | OBSOLETE |
| 34900-2004 | OBSOLETE |
| 34900-2003 | OBSOLETE |
| ASSEMBLY PART NUMBERS | STATUS |

1X2

| | |
|-----------------------|----------|
| 34900-3023 | OBSOLETE |
| 34900-3022 | OBSOLETE |
| 34900-3021 | OBSOLETE |
| 34900-3020 | OBSOLETE |
| 34900-3004 | OBSOLETE |
| 34900-3003 | OBSOLETE |
| 34900-3002 | OBSOLETE |
| 34900-3001 | OBSOLETE |
| ASSEMBLY PART NUMBERS | STATUS |

1X3

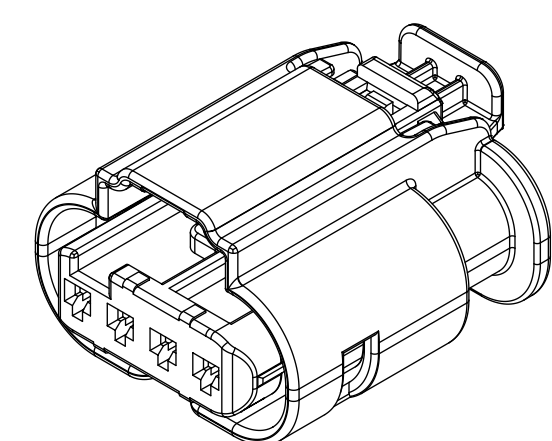
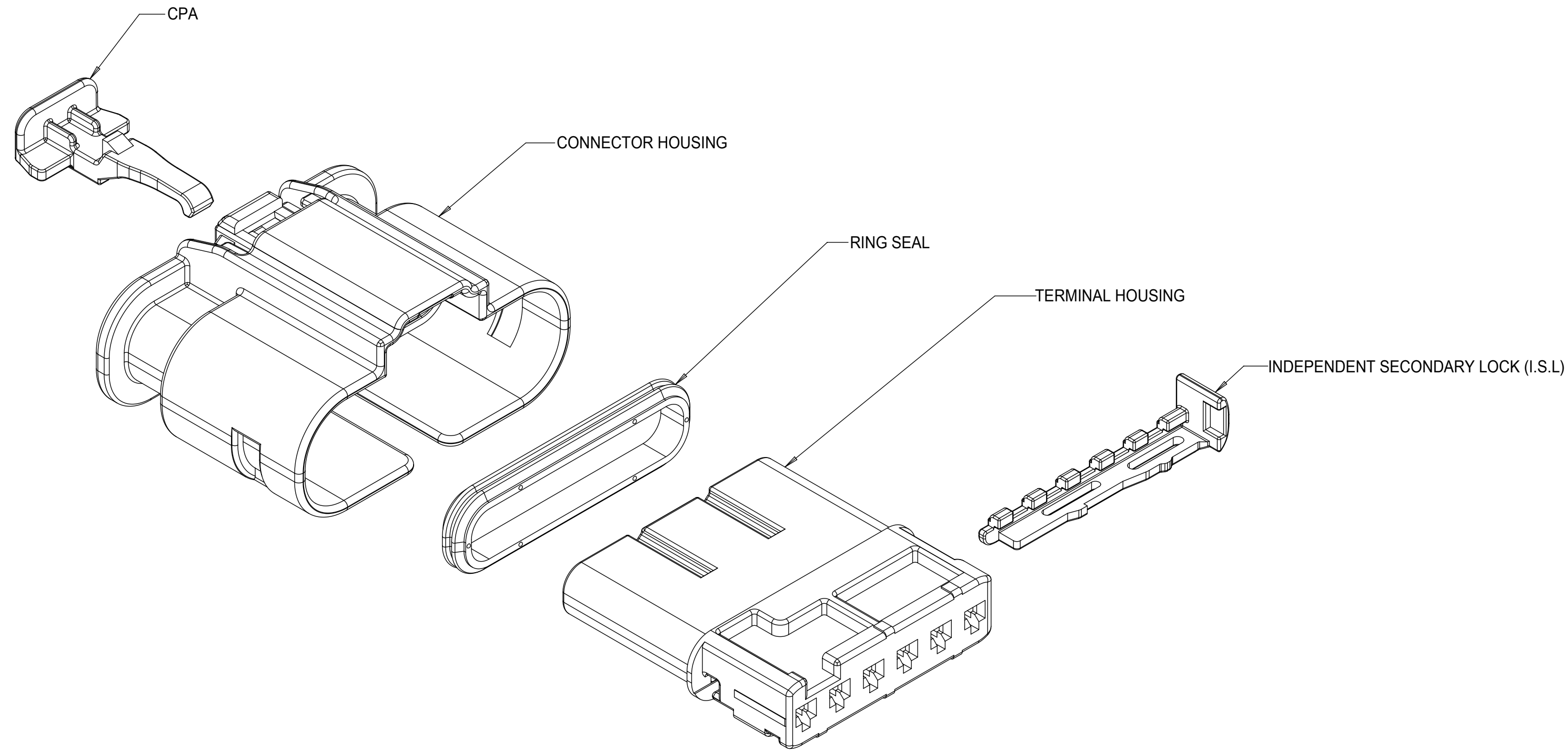
| | | | | | | | | | | | | | | | |
|-----------------------------------------------------------------------------------------------------------------------------------------------|--|------------------------|--|-------------------------------------------------------------------------------------------------------------------------------------------------------------|--|--------|--|--------------------------------------------------------------------------------------------------------------|--|--------------|--|---------------|--|--|--|
| THIS DRAWING CONTAINS INFORMATION THAT IS PROPRIETARY TO MOLEX ELECTRONIC TECHNOLOGIES, LLC AND SHOULD NOT BE USED WITHOUT WRITTEN PERMISSION | | | | | | | | | | | | | | | |
| DIMENSION UNITS | | SCALE | | Material: | | | | molex | | | | | | | |
| mm | | 1:1 | | Heat treat: | | | | | | | | | | | |
| GENERAL TOLERANCES (UNLESS SPECIFIED) | | | | Finish: | | | | 1.2MM 1X2, 1X3 RECPT. SEALED ASSEMBLY CABLE SEAL 621905: ADDED CPA2 PNS, RE-ADDED PNS USING TERMINAL H | | | | | | | |
| ANGULAR TOL ± 3.0 ° | | | | CURRENT REV DESC: | | | | | | | | | | | |
| 4 PLACES | | ± | | EC NO: 621905 DRWN: GELLIOTT01 2019/08/05 CHK'D: KBORUSZEWSKI 2019/08/06 APPR: KBORUSZEWSKI 2019/08/06 ORIG DRWN BY: MVANSLAMBROU 2012/02/15 | | | | PRODUCT CUSTOMER DRAWING | | | | | | | |
| 3 PLACES | | ± | | | | | | DOCUMENT NUMBER | | | | SD-34900-2001 | | | |
| 2 PLACES | | ± 0.1 | | | | | | DOC TYPE | | | | PSD | | | |
| 1 PLACE | | ± 0.2 | | | | | | DOC PART | | | | 001 | | | |
| 0 PLACES | | ± 0.5 | | | | | | REVISION | | | | C3 | | | |
| TOOL NUMBER | | THIRD ANGLE PROJECTION | | DRAWING | | SERIES | | MATERIAL NUMBER | | CUSTOMER | | | | | |
| | | | | D-SIZE | | 34900 | | GENERAL MARKET | | SHEET NUMBER | | | | | |
| | | | | | | | | | | 7 OF 7 | | | | | |

TABLE OF CONTENTS

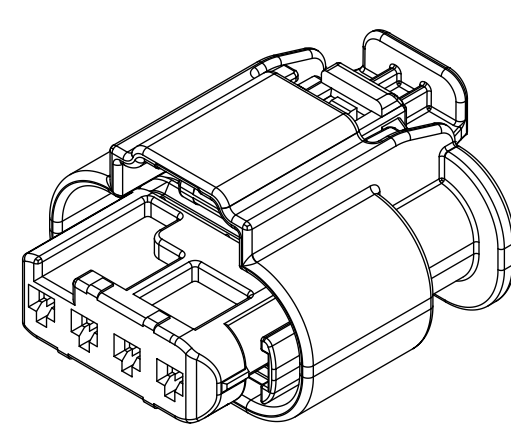
| SHEET NO. | SHEET DESCRIPTION |
|-----------|------------------------------------------------------|
| 1 | NOTES |
| 2 | 1x4 RECEPTACLE SEALED ASSEMBLY KEYING CONFIGURATIONS |
| 3 | 1x6 RECEPTACLE SEALED ASSEMBLY KEYING CONFIGURATIONS |
| 4 | RECEPTACLE SEALED ASSEMBLY |
| 5 | 1x4 RECEPTACLE SEALED ASSEMBLY BOM SHEET |
| 6 | 1x6 RECEPTACLE SEALED ASSEMBLY BOM SHEET |

NOTES: VALID UNLESS OTHERWISE SPECIFIED

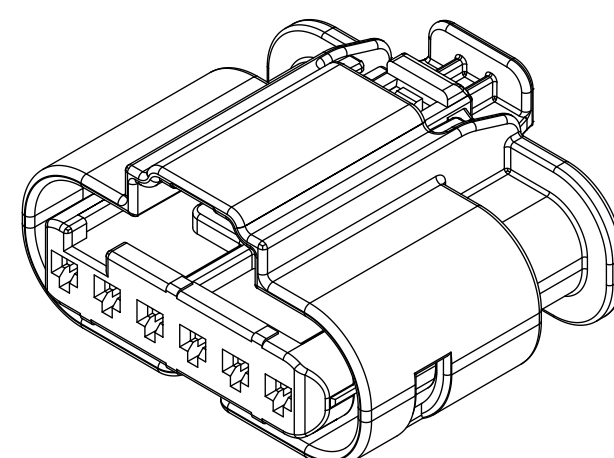
1. GENERAL:
 - a. APPLICATION SPECIFICATION SEE: AS-34900-0001
CONTAINS: PRODUCT INTRODUCTION, PRODUCT SUMMARY, CONNECTOR ASSEMBLY, PACKAGING INFORMATION, CONNECTOR MATING, SERVICE INSTRUCTIONS, ELECTRICAL CONTINUITY CHECKING, CRIMPING, AND TROUBLESHOOTING.
 - b. PRODUCT SPECIFICATION SEE: PS-34900-0001
CONTAINS: PRODUCT INTRODUCTION, PRODUCT SUMMARY, APPROVED TERMINALS, SINGLE WIRE SEALS, RATINGS (CURRENT, TEMPERATURE, SEALING, AND FLAMMABILITY), AND PRODUCT VALIDATION.
 - c. PACKAGING SPECIFICATION PER MOLEX DRAWING: PK-31301-898
 - d. PARTS MUST BE IN COMPLIANCE TO MOLEX CHEMICAL SUBSTANCES FOR PRODUCTS AND PACKAGING SPECIFICATION: ES-40000-5016
 - e. DATA MUST BE SUBMITTED UNDER THE MOLEX PART NUMBER TO IMDS (COMPANY ID#13255)
 - f. DESIGNED TO MATE WITH DEVICE CONNECTION AS SPECIFIED IN BOM CHART USCAR INTERFACE DRAWINGS AND MODELS ARE AVAILABLE AT <http://ewcap.uscarteams.org/>.
2. DESIGN - MATERIALS:
 - a. SEE BOM TABLE
3. DESIGN - GEOMETRY:
 - a. THIS IS A 100% CAD GENERATED PART. THE CAD MATHEMATICAL DATA IS THE MASTER FOR THIS PART. FOR DIMENSIONAL OR ANY INFORMATION NOT SHOWN ON THIS DRAWING, ANALYZE THE CAD MODEL.
 - b. GEOMETRIC DIMENSIONS AND TOLERANCES PER ASME Y14.5M - 1994
 - c. EDGES AND UNDIMENSIONED DETAILS PER ISO13715
 - d. CORNERS SHOWN AS SHARP TO BE R 0.2 MAX.
 - e. LETTERING SHALL BE 0.15 MAX RAISED IN 0.25 MAX RECESS PAD. THIS INCLUDES RECYCLING CODE, CAVITY ID, VENDOR IDENTIFICATION, AND CUSTOMER MATERIAL NUMBER.
 - f. VISUAL DEFECTS SHALL MEET COSMETIC STANDARD PS-45499-002 (Class B) CAD MODEL.
 - g. LASER MARKING:
 1. PART NUMBER
 2. DAY OF THE YEAR
 3. SHIFT
 4. YEAR



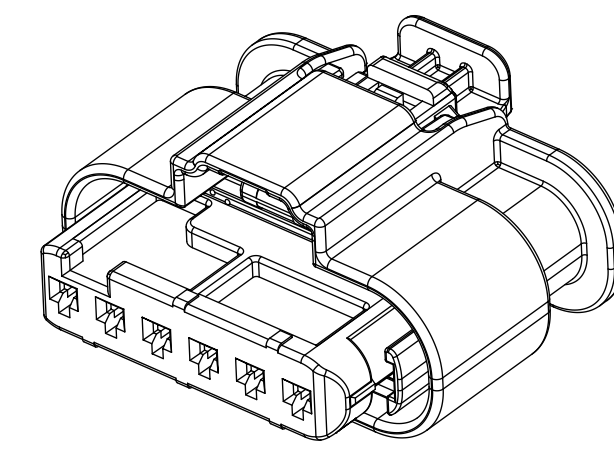
1x4 RECEPTACLE SEALED ASSEMBLY LONG SHROUD



1x4 RECEPTACLE SEALED ASSEMBLY MID LENGTH SHROUD



1x6 RECEPTACLE SEALED ASSEMBLY LONG SHROUD

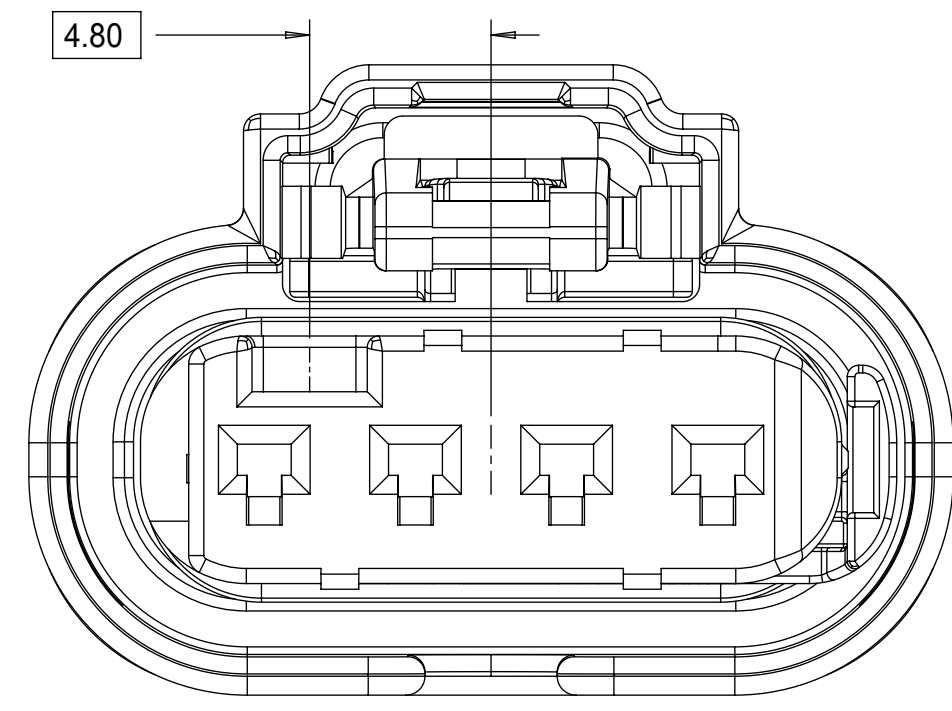


1x6 RECEPTACLE SEALED ASSEMBLY MID LENGTH SHROUD

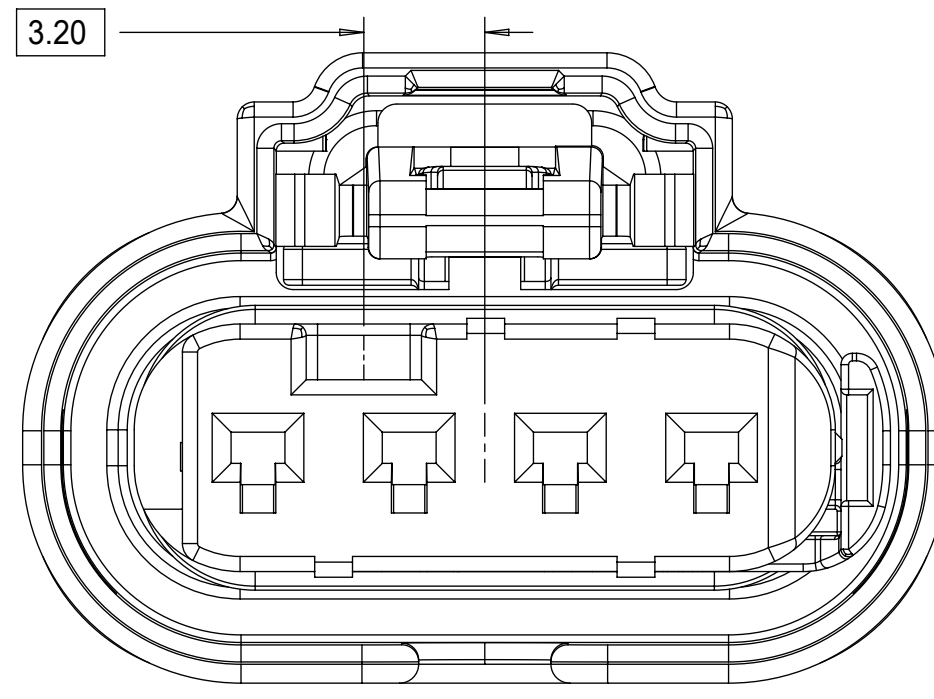
| | |
|-----|--------------------------------------------------------|
| A13 | NX-REMASTER, ADDED CPA2 PART NUMBERS AND OBSOLETE PAGE |
| A12 | RELEASE ALL KEYS SALEABLE |
| A11 | RELEASE NON SIR SALEABLE |
| A10 | PART #'S WITH NEW LATCH DESIGN SALEABLE |
| A9 | PART #'S WITH NEW LATCH DESIGN SALEABLE |
| A8 | ADDED NEW PART NUMBERS FOR LATCH IMPROVEMENT PARTS |
| A7 | UPDATED 34900-6012 AND 34900-6012 TO SALEABLE |
| A6 | UPDATED SHROUD LENGTH DIMENSION SCHEME |
| A5 | BOM CORRECTIONS AND UPDATES |
| A4 | BOM CORRECTIONS AND UPDATES |
| A3 | NON SIR PART# OK TO TOOL |
| A2 | BOM UPDATES FOR NON-SIR PART # |
| A1 | 1X4 MID LENGTH SHROUD OK TO TOOL |
| A | 1X4 INLINE VIEWS ADDED |
| 1 | INITIAL RELEASE |
| REV | DESCRIPTION |

| QUALITY SYMBOLS | THIS DRAWING CONTAINS INFORMATION THAT IS PROPRIETARY TO MOLEX ELECTRONIC TECHNOLOGIES, LLC AND SHOULD NOT BE USED WITHOUT WRITTEN PERMISSION | | DIMENSION UNITS | | SCALE | |
|-----------------|-----------------------------------------------------------------------------------------------------------------------------------------------|----------------------------------------|---------------------------------------|------------------------|-------------------------------------------------------------------------|----------------------|
| ▽ = 0 | EC NO: 617250 DRWN: VYARAPPA CHKD: MVANSLAMBROU REV APPR: MVANSLAMBROU | 2017/05/04 2019/05/22 2019/05/22 | GENERAL TOLERANCES (UNLESS SPECIFIED) | | mm | |
| ▽ = 0 | | | ANGULAR TOL ± 3.0 ° | | 3:1 | |
| ▽ = 0 | | | 4 PLACES ± | | DRWN BY | DATE |
| ▽ = 0 | | | 3 PLACES ± | | MVANSLAMBROU | 2012/05/03 |
| ▽ = 0 | 2 PLACES ± 0.1 | | CHKD BY | DATE | | |
| ▽ = 0 | 1 PLACE ± 0.2 | | APPR BY | DATE | | |
| ▽ = 0 | 0 PLACES ± 0.5 | | GGA | 2012/12/13 | | |
| ▽ = 0 | DRAFT WHERE APPLICABLE MUST REMAIN WITHIN DIMENSIONS | | DRAWING SIZE | THIRD ANGLE PROJECTION | SERIES: 34900 MATERIAL NUMBER: SEE TABLE CUSTOMER: GENERAL MARKET | |
| ▽ = 0 | A13 | | DOCUMENT NUMBER: SD-34900-6001 | DOC TYPE: PSD | DOC PART: 001 | SHEET NUMBER: 1 OF 7 |

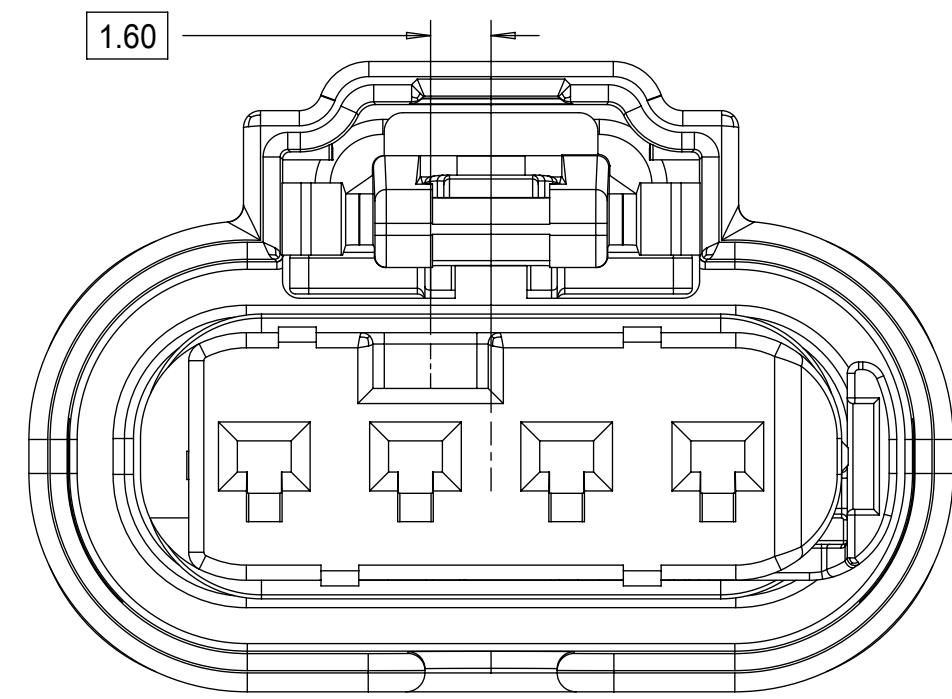
1x4 RECEPTACLE SEALED ASSEMBLY KEYING CONFIGURATIONS. FOR PART NUMBERS REFER TO BOM SHEET.



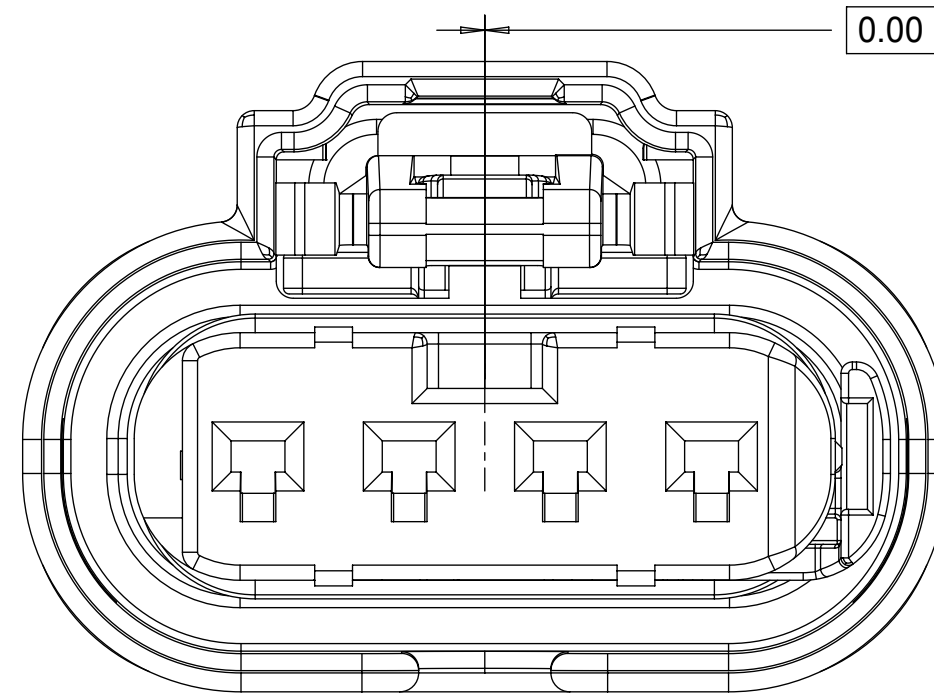
KEYING OPTION A



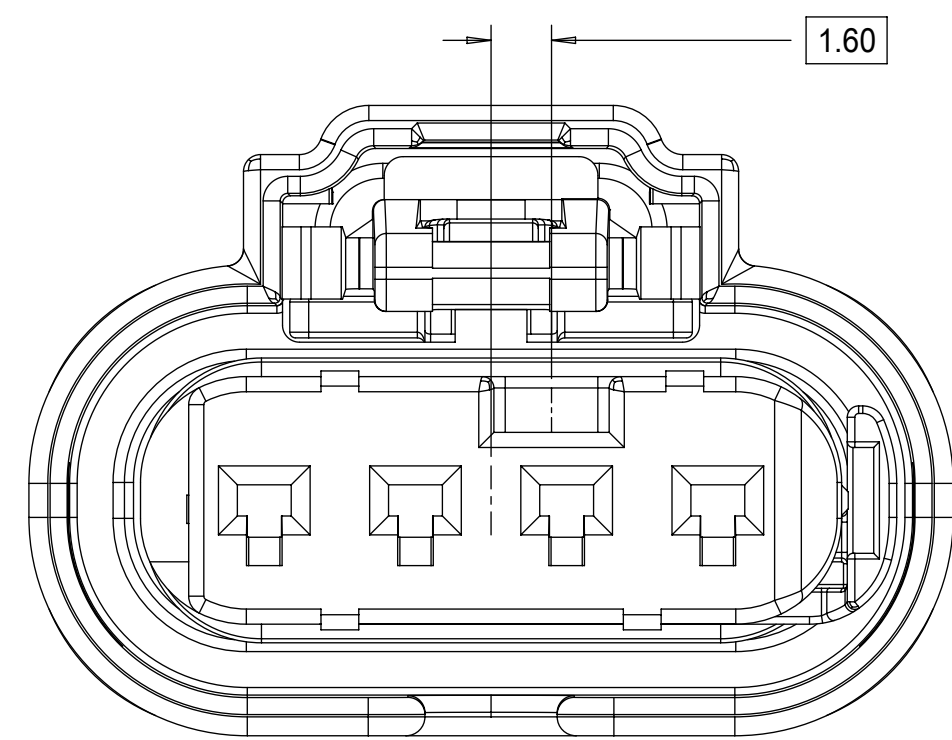
KEYING OPTION E



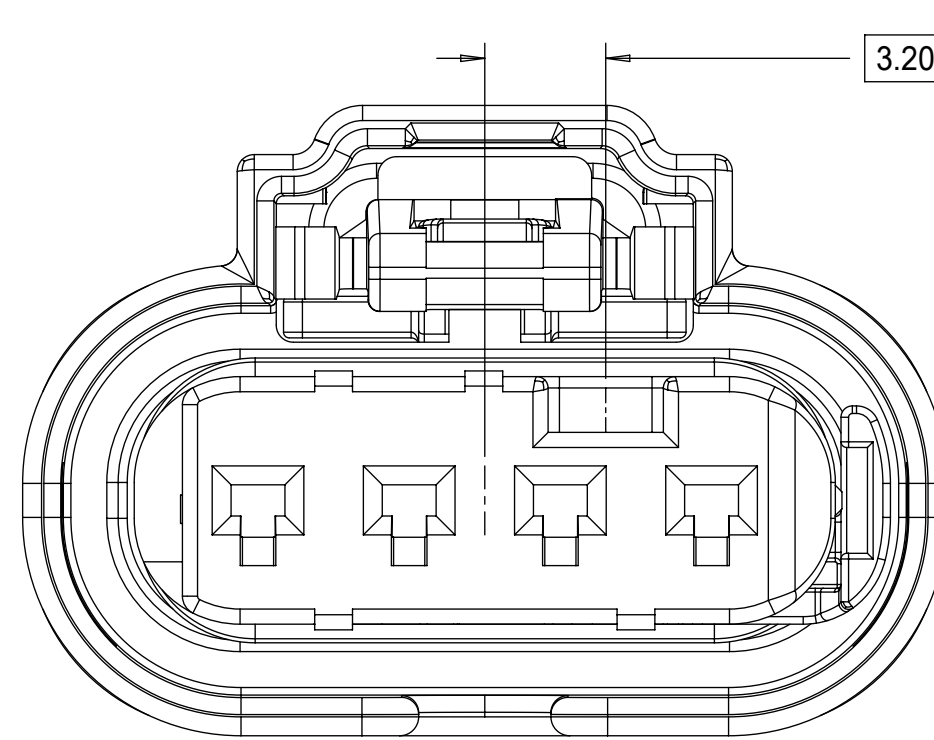
KEYING OPTION B



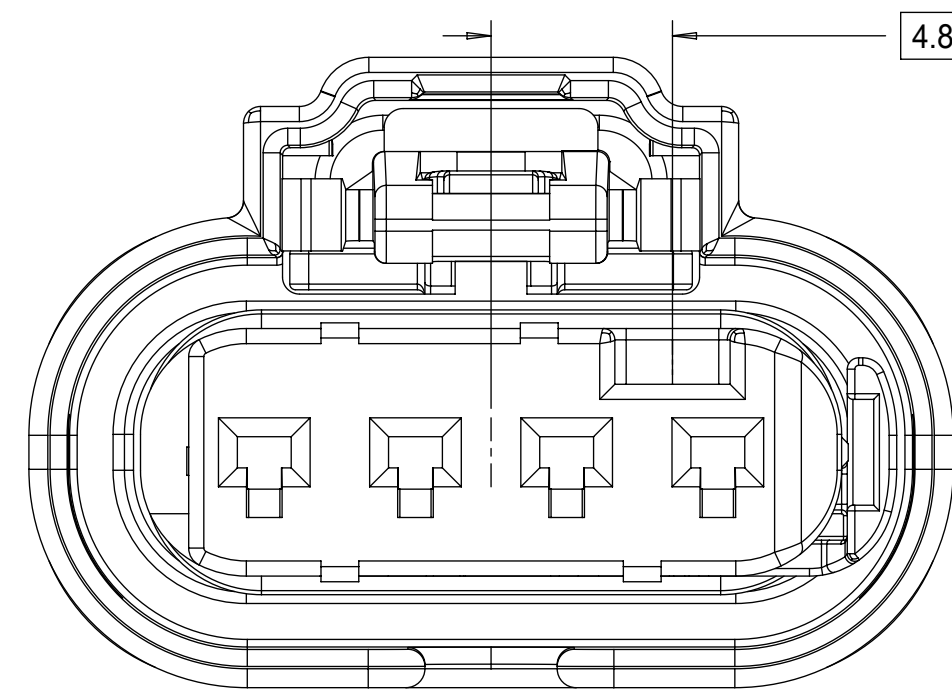
KEYING OPTION F



KEYING OPTION C



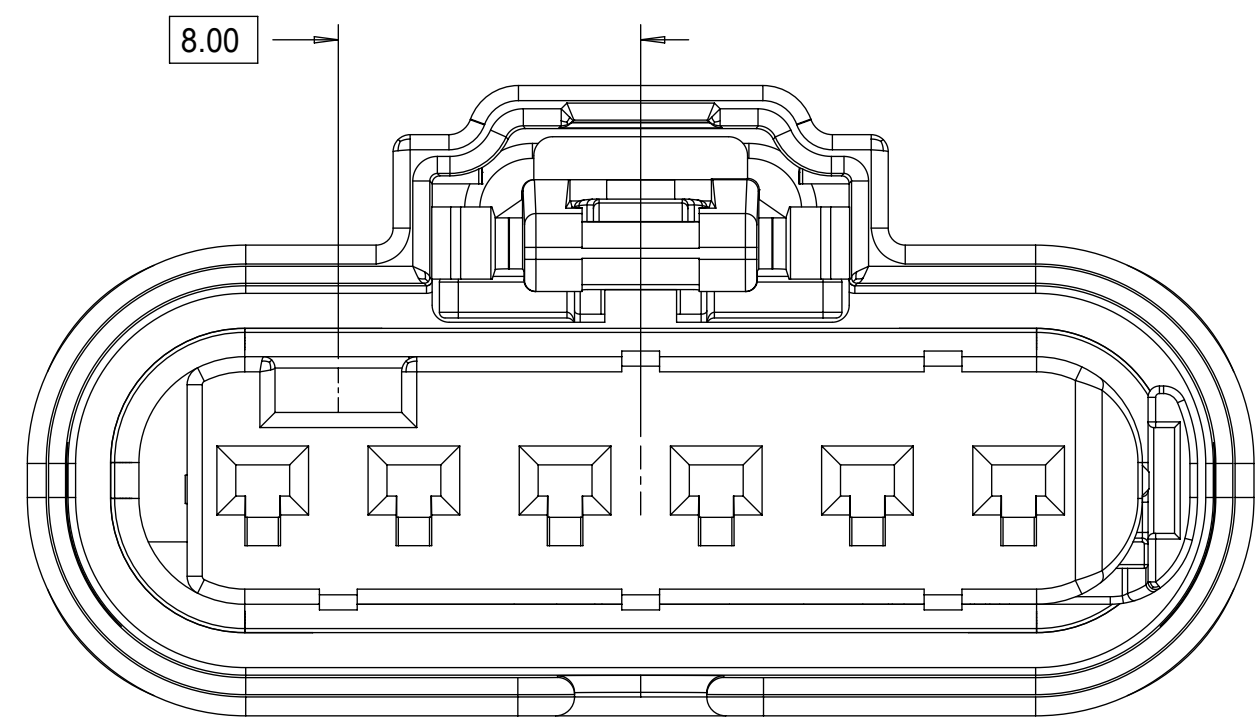
KEYING OPTION G



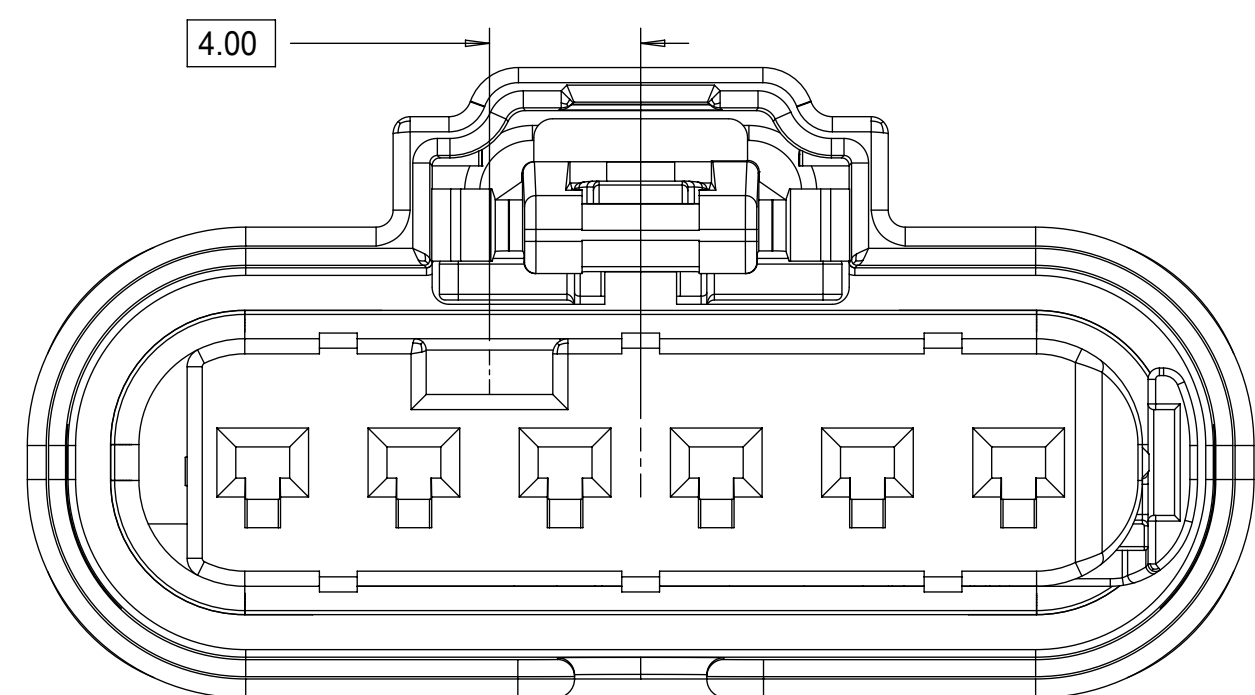
KEYING OPTION D

| | | | | | | | | | | | | |
|---------------------------------------------------------------------------------------------------------------------------|-----------------------------------------------------------------------------------------------------------------------------------------------|----------------|--------------------|-------------------------|------------------------------------------------------|------------|-----------------------------------|------------|---------------------------------------|-----------------|--------------------------|--|
| QUALITY SYMBOLS □ = 0 ▽ = 0 ▽ = 0 ▽ = 0 ▽ = 0 ▽ = 0 ▽ = 0 ▽ = 0 ▽ = 0 ▽ = 0 ▽ = 0 | THIS DRAWING CONTAINS INFORMATION THAT IS PROPRIETARY TO MOLEX ELECTRONIC TECHNOLOGIES, LLC AND SHOULD NOT BE USED WITHOUT WRITTEN PERMISSION | | | | | | | | | | | |
| | EC NO: 617250 | DRWN: VYARAPPA | CHKD: MVANSLAMBROU | REV: APPR: MVANSLAMBROU | 2017/05/04 | 2019/05/22 | 2019/05/22 | 2019/05/22 | GENERAL TOLERANCES (UNLESS SPECIFIED) | DIMENSION UNITS | SCALE | |
| | | | | | 4 PLACES ± | | 3 PLACES ± | | ANGULAR TOL ± 3.0 ° | | mm | |
| | | | | | 2 PLACES ± 0.1 | | 1 PLACE ± 0.2 | | 0 PLACES ± 0.5 | | 5:1 | |
| | | | | | DRAFT WHERE APPLICABLE MUST REMAIN WITHIN DIMENSIONS | | D | | THIRD ANGLE PROJECTION | | | |
| | | | | | APPR BY: GGA | | DATE: 2012/12/13 | | DRWN BY: MVANSLAMBROU | | DATE: 2012/05/03 | |
| | | | | | SERIES: 34900 | | MATERIAL NUMBER: SEE BOM | | CUSTOMER: GENERAL MARKET | | PRODUCT CUSTOMER DRAWING | |
| | | | | | DOCUMENT NUMBER: SD-34900-6001 | | DOC TYPE: PSD | | DOC PART: 001 | | SHEET NUMBER: 2 OF 7 | |
| | | | | | RELEASE STATUS: P1 | | RELEASE DATE: 2019/05/22 20:45:13 | | | | | |

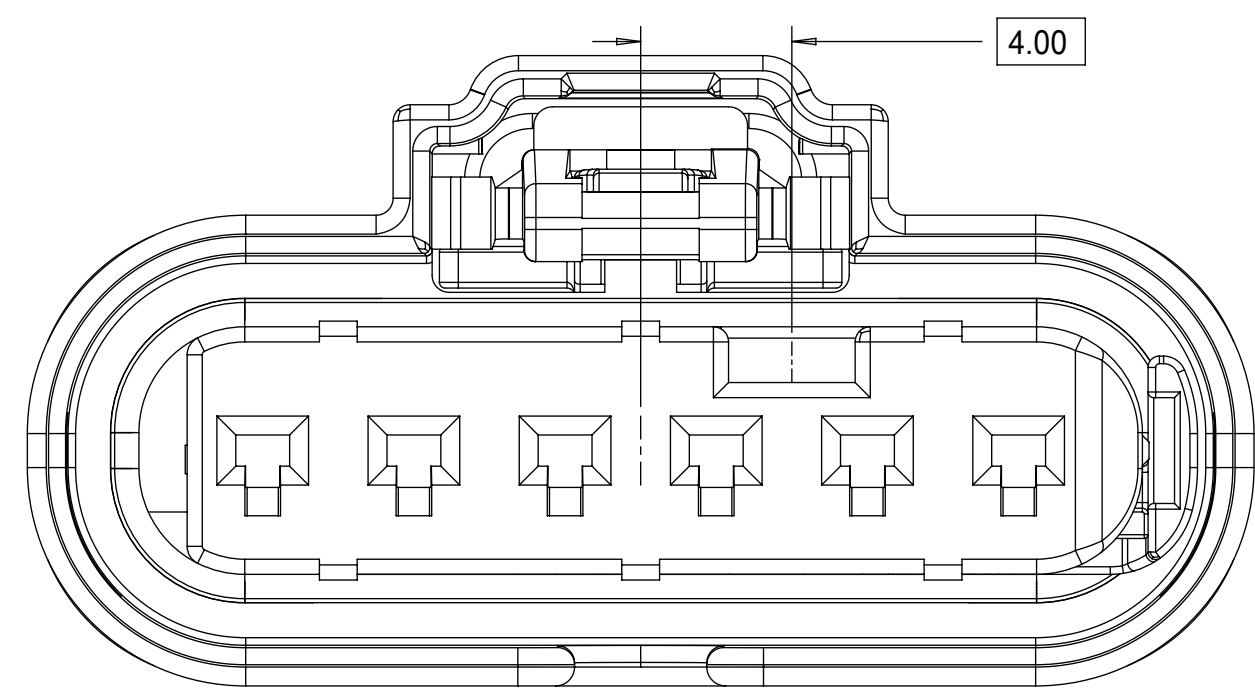
1x6 RECEPTACLE SEALED ASSEMBLY KEYING CONFIGURATIONS. FOR PART NUMBERS REFER TO BOM SHEET.



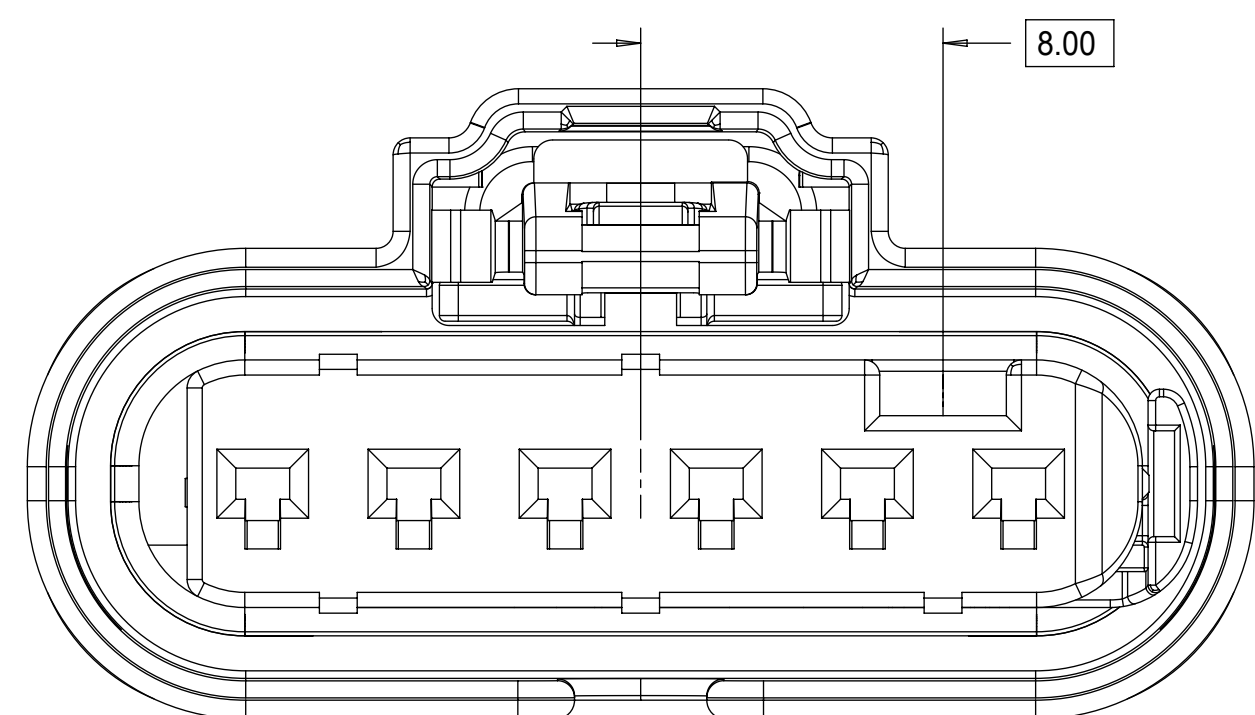
KEYING OPTION A




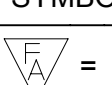
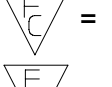
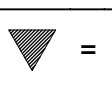
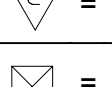
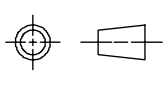
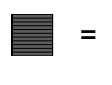
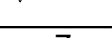
KEYING OPTION B



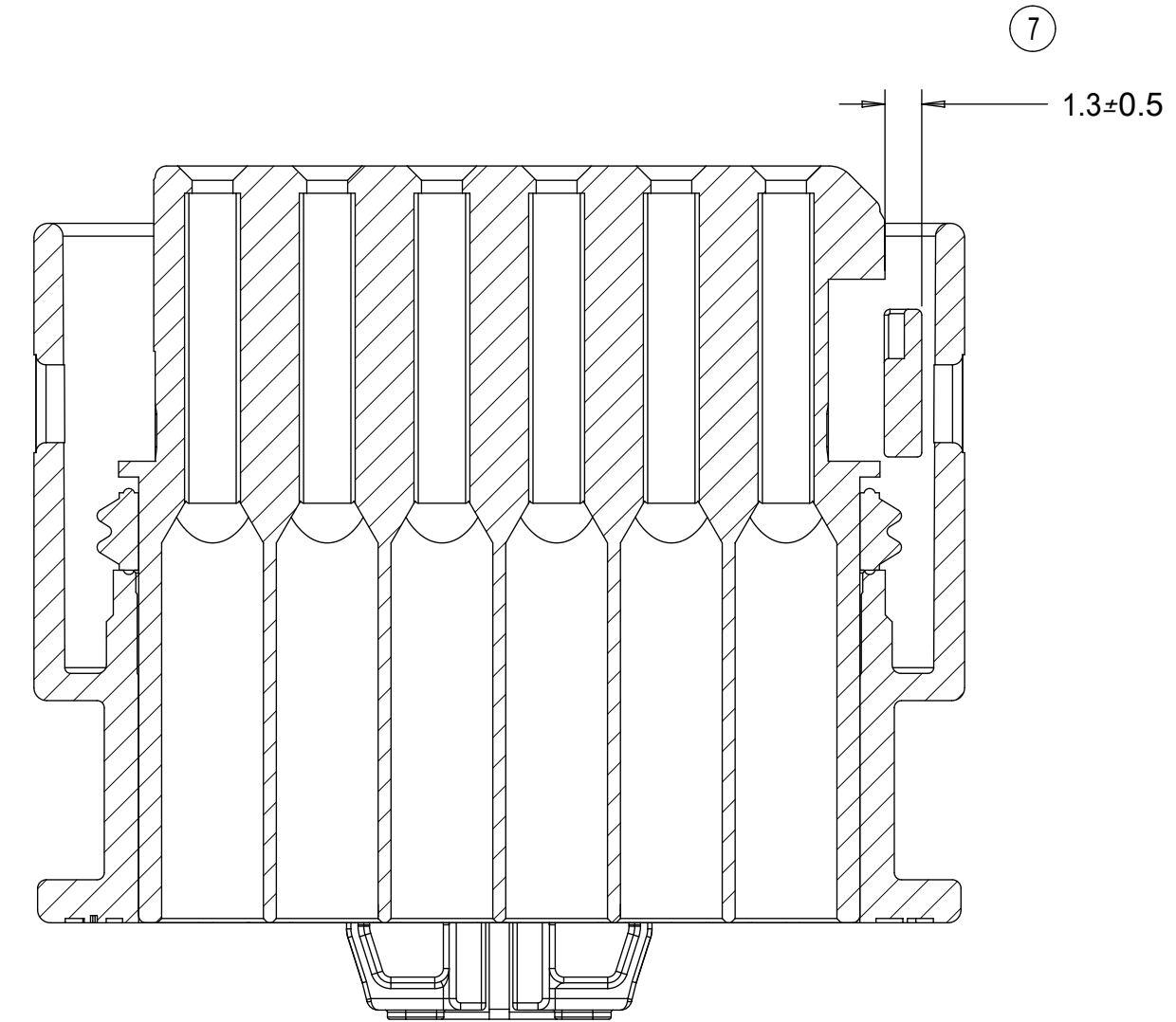
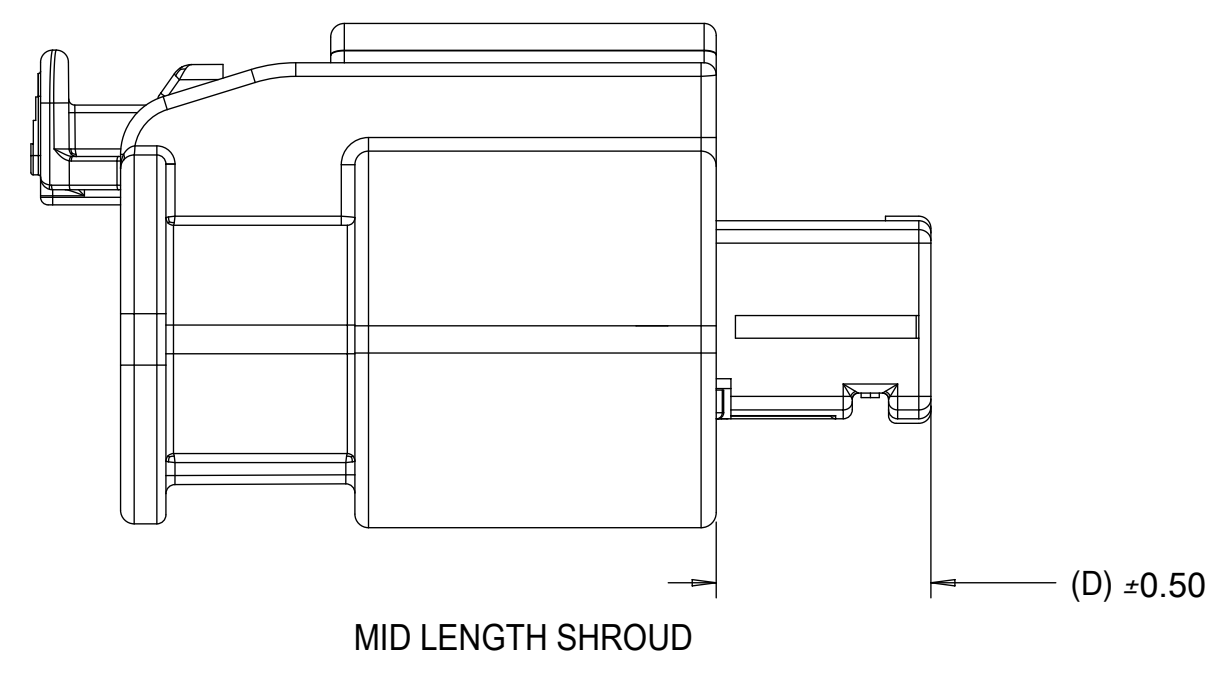
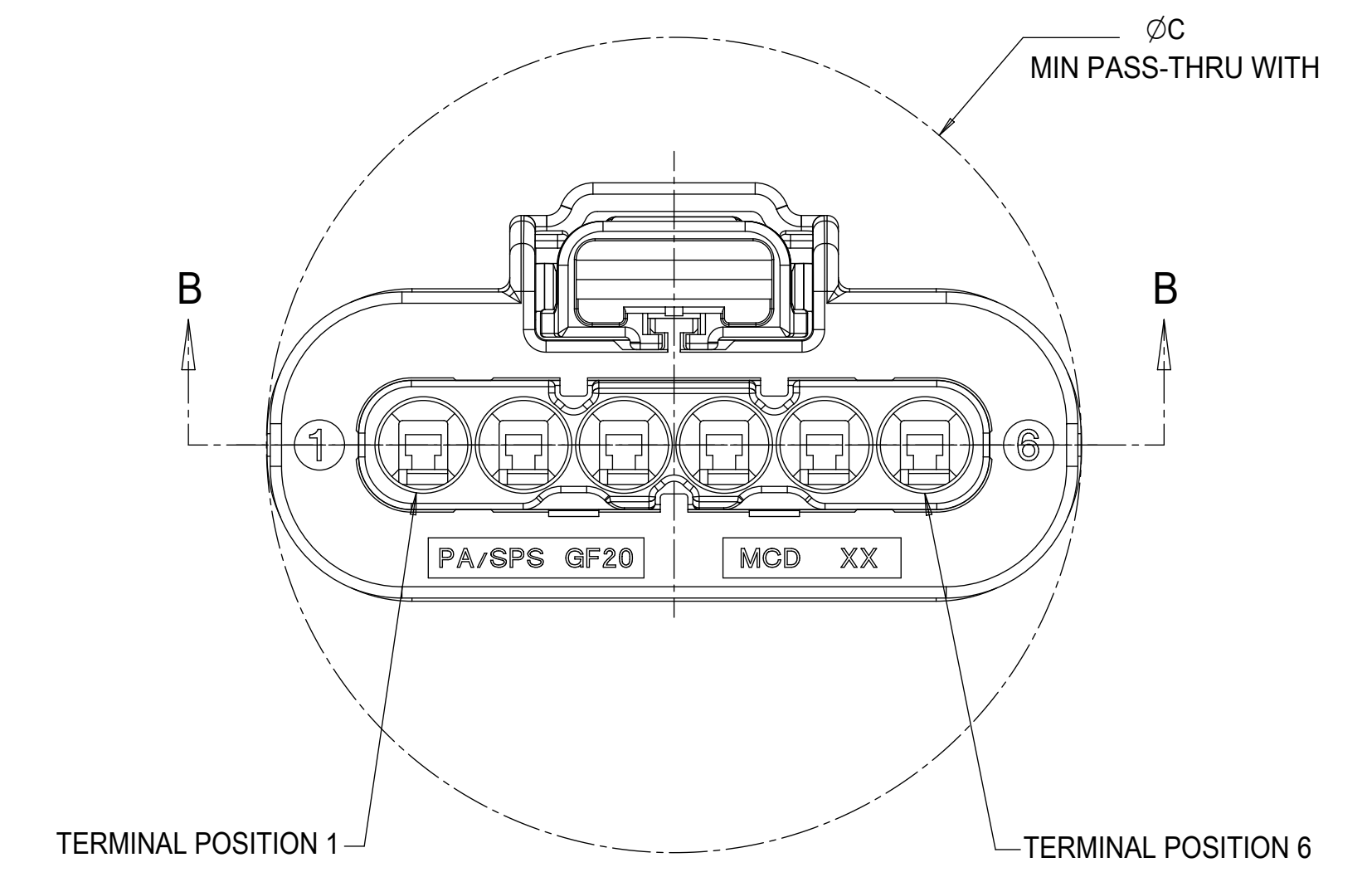
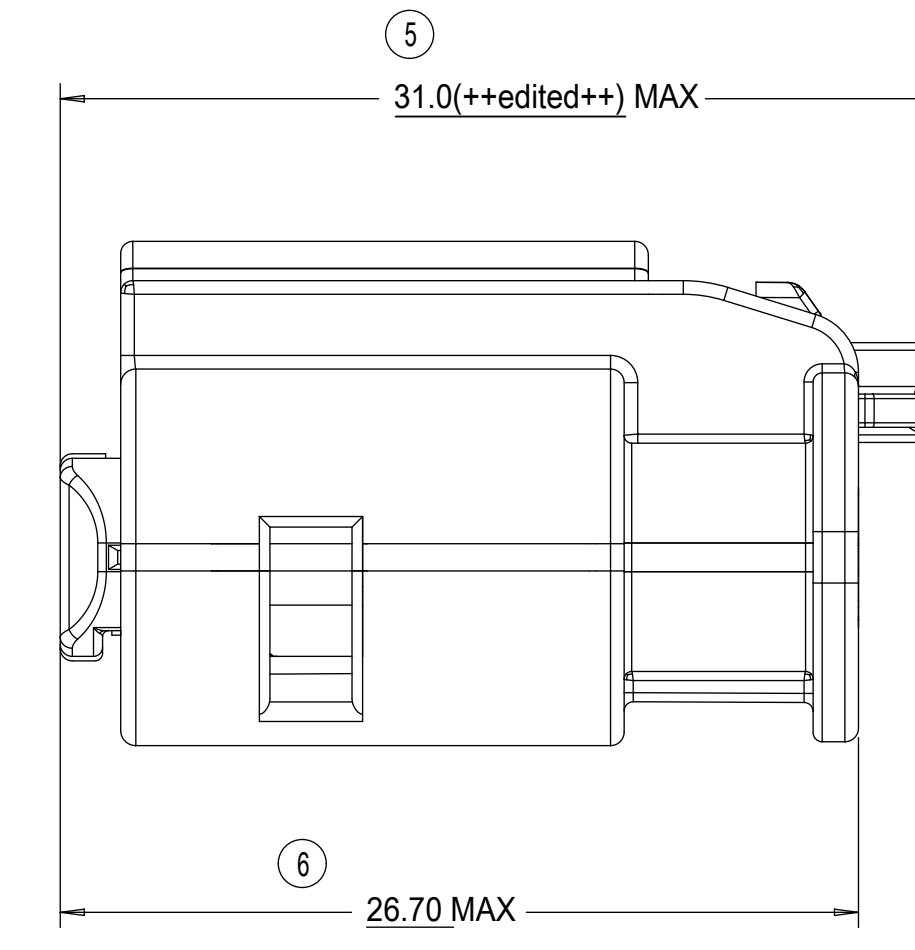
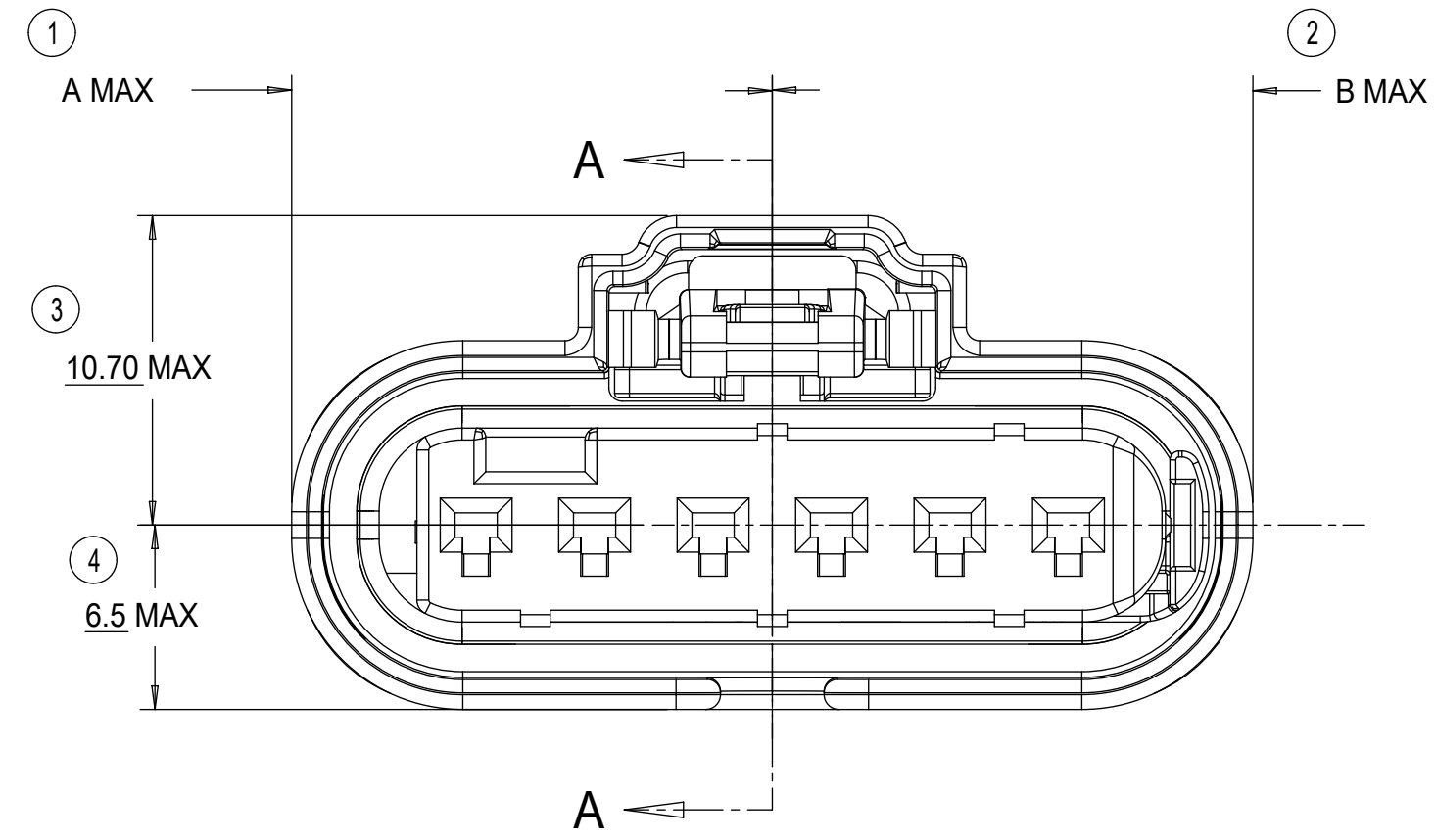
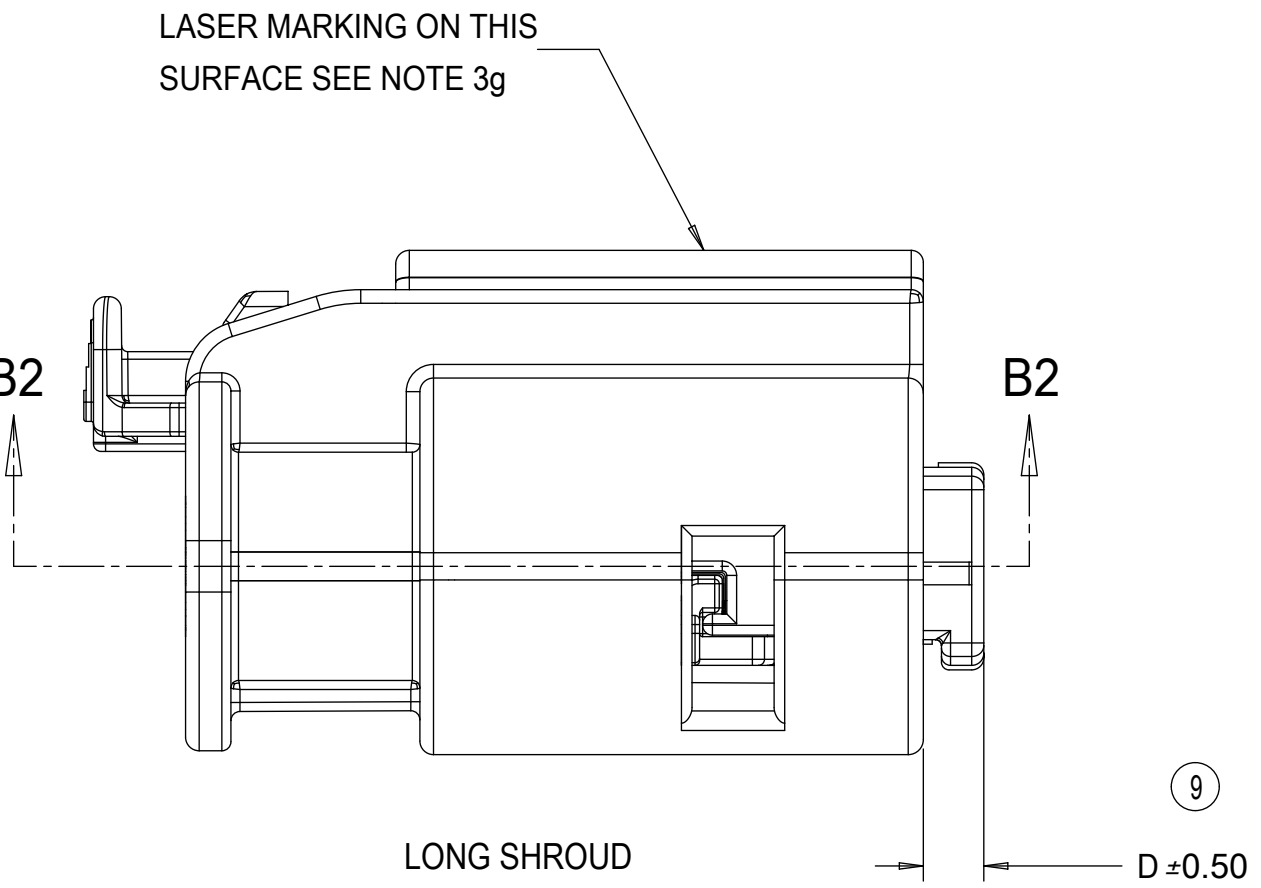
KEYING OPTION C



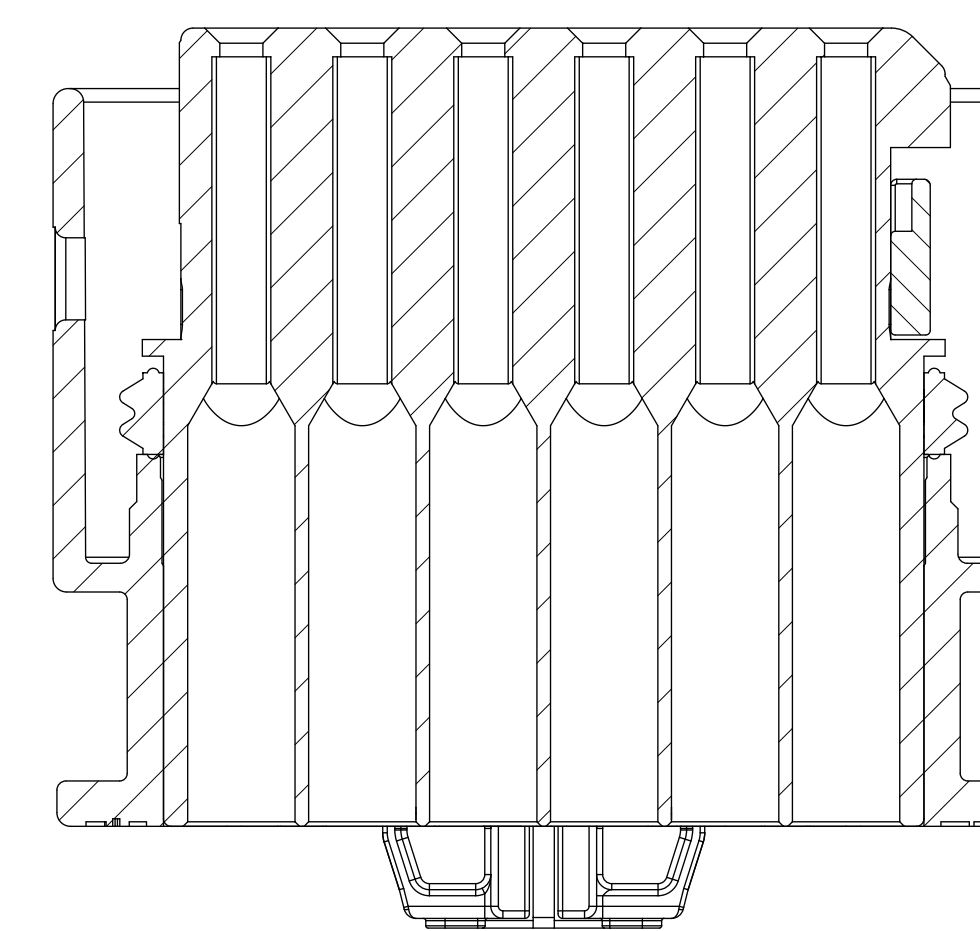
KEYING OPTION D

| | | | | | | | | | | | | | | | |
|-------------------------------------------------------------------------------------------|---------------|-----------------------------------------------------------------------------------------------------------------------------------------------|------|------------------------------------------------------|---------------|-----------------|-------|---------------|-----------------|------------------------------------------------------------------------------------------------------------------------------------------------------------------------------|---------------------------------------------------------------------------------------|--|--|------------------------|--|
| QUALITY SYMBOLS | | THIS DRAWING CONTAINS INFORMATION THAT IS PROPRIETARY TO MOLEX ELECTRONIC TECHNOLOGIES, LLC AND SHOULD NOT BE USED WITHOUT WRITTEN PERMISSION | | GENERAL TOLERANCES (UNLESS SPECIFIED) | | DIMENSION UNITS | | SCALE | |  1.2MM 1X4, 1X6 RECPT. SEALED ASSEMBLY CABLE SEAL PRODUCT CUSTOMER DRAWING | | | | | |
|  = 0 | 2017/05/04 | DRWN BY | DATE | mm | 5:1 | DRWN BY | | DATE | MIVANSLAMBROU | | | | | 2012/05/03 | |
|  = 0 | 2019/05/22 | CHKD BY | DATE | ANGULAR TOL ± 3.0 ° | | CHKD BY | | DATE | GGA | | | | | 2012/12/13 | |
|  = 0 | 2019/05/22 | APPR BY | DATE | 4 PLACES ± | 3 PLACES ± | APPR BY | | DATE | DRAWING SIZE | | | | | THIRD ANGLE PROJECTION | |
|  = 0 | 617250 | DRAFT WHERE APPLICABLE MUST REMAIN WITHIN DIMENSIONS | | 2 PLACES ± 0.1 | 1 PLACE ± 0.2 | GGA | | 2012/12/13 | D | |  | | | | |
|  = 0 | YVARAPPA | SERIES | | 0 PLACES ± 0.5 | D | | 34900 | | MATERIAL NUMBER | | SEE BOM | | | | |
|  = 0 | MIVANSLAMBROU | CUSTOMER | | DRAFT WHERE APPLICABLE MUST REMAIN WITHIN DIMENSIONS | | 34900 | | SD-34900-6001 | | GENERAL MARKET | | | | | |
| = 0 | MIVANSLAMBROU | DOCUMENT NUMBER | | DRAFT WHERE APPLICABLE MUST REMAIN WITHIN DIMENSIONS | | 34900 | | SD-34900-6001 | | 3 OF 7 | | | | | |
| = 0 | MIVANSLAMBROU | DOC TYPE | | DRAFT WHERE APPLICABLE MUST REMAIN WITHIN DIMENSIONS | | 34900 | | PSD | | 001 | | | | | |
| = 0 | MIVANSLAMBROU | DOC PART | | DRAFT WHERE APPLICABLE MUST REMAIN WITHIN DIMENSIONS | | 34900 | | 001 | | 3 OF 7 | | | | | |
| = 0 | MIVANSLAMBROU | SHEET NUMBER | | DRAFT WHERE APPLICABLE MUST REMAIN WITHIN DIMENSIONS | | 34900 | | 001 | | 3 OF 7 | | | | | |

RECEPTACLE SEALED ASSEMBLY



SECTION B-B
INDEPENDENT SECONDARY LOCK (ISL)
SHOWN IN THE PRE-STAGED POSITION



SECTION B2-B2
INDEPENDENT SECONDARY LOCK (ISL)
SHOWN IN THE FINAL-LOCK POSITION

| | | | | |
|-----------------------|------|------|------|------|
| 1x6 MID LENGTH SHROUD | 16.5 | 16.5 | 33.0 | 6.70 |
| 1x4 MID LENGTH SHROUD | 16.5 | 16.5 | 25.0 | 6.70 |
| 1x6 LONG SHROUD | 16.5 | 16.5 | 33.0 | 2.00 |
| 1x4 LONG SHROUD | 12.5 | 12.5 | 25.0 | 2.00 |
| DESCRIPTION | A | B | C | D |

CHARTED DIMENSIONS

| | | | | | | | | |
|---------------------------------------------------------------------------------------------------------------------------|-----------------------------------------------------------------------------------------------------------------------------------------------|----------------------------------------|--------------------------------------------------------------|-------------------------------------------|------------------------------------------------------------------------------------------|----------------------------------|---------------------------------------------------------------------------------------------|-----------------------------------------------------------------------|
| QUALITY SYMBOLS □ = 0 ▽ = 0 ▽ = 0 ▽ = 0 ▽ = 0 ▽ = 0 ▽ = 0 ▽ = 0 ▽ = 0 ▽ = 0 ▽ = 0 | THIS DRAWING CONTAINS INFORMATION THAT IS PROPRIETARY TO MOLEX ELECTRONIC TECHNOLOGIES, LLC AND SHOULD NOT BE USED WITHOUT WRITTEN PERMISSION | | | | DIMENSION UNITS: mm SCALE: 4:1 | | 1.2MM 1X4, 1X6 RECPT. SEALED ASSEMBLY CABLE SEAL PRODUCT CUSTOMER DRAWING | |
| | EC NO: 617250 DRWN: VYARAPPA CHKD: MVANSLAMBROU REV: APPR: MVANSLAMBROU | 2017/05/04 2019/05/22 2019/05/22 | GENERAL TOLERANCES (UNLESS SPECIFIED) ANGULAR TOL ± 3.0 ° | DRWN BY: MVANSLAMBROU DATE: 2012/05/03 | CHKD BY: [blank] DATE: [blank] | APPR BY: GGA DATE: 2012/12/13 | | SERIES: 34900 MATERIAL NUMBER: SEE BOM CUSTOMER: GENERAL MARKET |
| | 4 PLACES ± 3 PLACES ± 2 PLACES ± 0.1 1 PLACE ± 0.2 0 PLACES ± 0.5 | | DRAFT WHERE APPLICABLE MUST REMAIN WITHIN DIMENSIONS | DRAWING SIZE: D THIRD ANGLE PROJECTION | DOCUMENT NUMBER: SD-34900-6001 DOC TYPE: PSD DOC PART: 001 SHEET NUMBER: 4 OF 7 | [blank] | | |
| | RELEASE STATUS: P1 RELEASE DATE: 2019/05/22 20:45:13 | | [blank] | | | [blank] | | |
| | [blank] | | [blank] | | | [blank] | | |

1X4 RECEPTACLE SEALED ASSEMBLY BOM SHEET 1

| KEY OPTION | ASSEMBLY DESCRIPTION | CONNECTOR HOUSING COLOR | TERMINAL HOUSING COLOR | OUTER HOUSING SHROUD LENGTH | ASSEMBLY PART NUMBER | CHB | CHY | A | B | C | D | E | F | G | CPA1 | CPA2 | PRODUCTION TOOL STATUS | COMMENTS | DESIGNED TO MATE WITH DEVICE CONNECTION | |
|--------------|----------------------|-------------------------|------------------------|-----------------------------|----------------------|------|-----|---|---|---|---|---|---|---|------|----------------------|------------------------|----------|-----------------------------------------|---|
| KEY OPTION G | BLACK | LIGHT GRAY | LONG | 34900-4226 | CHB | | | | | | | | | G | CPA2 | SALEABLE | | | 1 | 2 |
| KEY OPTION F | BLACK | BLACK | LONG | 34900-4225 | CHB | | | | | | | | | F | CPA2 | SALEABLE | | | 1 | 2 |
| KEY OPTION E | BLACK | DARK GRAY | LONG | 34900-4224 | CHB | | | | | | | | E | | CPA2 | SALEABLE | | | 1 | 2 |
| KEY OPTION D | BLACK | LIGHT GRAY | LONG | 34900-4223 | CHB | | | | | | | | D | | CPA2 | SALEABLE | | | 1 | 2 |
| KEY OPTION C | BLACK | DARK GRAY | LONG | 34900-4222 | CHB | | | | | | | | C | | CPA2 | SALEABLE | | | 1 | 2 |
| KEY OPTION B | BLACK | STONE GRAY | LONG | 34900-4221 | CHB | | | | | | | | B | | CPA2 | SALEABLE | | | 1 | 2 |
| KEY OPTION A | BLACK | BLACK | LONG | 34900-4220 | CHB | | | | | | | | A | | CPA2 | SALEABLE | | | 1 | 2 |
| KEY OPTION G | YELLOW | LIGHT GRAY | LONG | 34900-4216 | CHY | | | | | | | | | G | CPA2 | SALEABLE | | | 1 | 2 |
| KEY OPTION F | YELLOW | BLACK | LONG | 34900-4215 | CHY | | | | | | | | | F | CPA2 | SALEABLE | | | 1 | 2 |
| KEY OPTION E | YELLOW | DARK GRAY | LONG | 34900-4214 | CHY | | | | | | | | E | | CPA2 | SALEABLE | | | 1 | 2 |
| KEY OPTION D | YELLOW | LIGHT GRAY | LONG | 34900-4213 | CHY | | | | | | | | D | | CPA2 | SALEABLE | | | 1 | 2 |
| KEY OPTION C | YELLOW | DARK GRAY | LONG | 34900-4212 | CHY | | | | | | | | C | | CPA2 | SALEABLE | | | 1 | 2 |
| KEY OPTION B | YELLOW | STONE GRAY | LONG | 34900-4211 | CHY | | | | | | | | B | | CPA2 | SALEABLE | | | 1 | 2 |
| KEY OPTION A | YELLOW | BLACK | LONG | 34900-4210 | CHY | | | | | | | | A | | CPA2 | SALEABLE | | | 1 | 2 |
| KEY OPTION G | BLACK | LIGHT GRAY | MID LENGTH | 34900-4136 | | CHMB | | | | | | | | G | CPA2 | CONCEPT | | | 1 | 2 |
| KEY OPTION F | BLACK | BLACK | MID LENGTH | 34900-4135 | | CHMB | | | | | | | | F | CPA2 | CONCEPT | | | 1 | 2 |
| KEY OPTION E | BLACK | DARK GRAY | MID LENGTH | 34900-4134 | | CHMB | | | | | | | E | | CPA2 | CONCEPT | | | 1 | 2 |
| KEY OPTION D | BLACK | LIGHT GRAY | MID LENGTH | 34900-4133 | | CHMB | | | | | | | D | | CPA2 | CONCEPT | | | 1 | 2 |
| KEY OPTION C | BLACK | DARK GRAY | MID LENGTH | 34900-4132 | | CHMB | | | | | | | C | | CPA2 | CONCEPT | | | 1 | 2 |
| KEY OPTION B | BLACK | STONE GRAY | MID LENGTH | 34900-4131 | | CHMB | | | | | | | B | | CPA2 | CONCEPT | | | 1 | 2 |
| KEY OPTION A | BLACK | BLACK | MID LENGTH | 34900-4130 | | CHMB | | | | | | | A | | CPA2 | CONCEPT | | | 1 | 2 |
| KEY OPTION G | BLACK | LIGHT GRAY | LONG | 34900-4126 | CHB | | | | | | | | | G | CPA1 | PLANNED OBSOLESCENCE | | | 1 | 2 |
| KEY OPTION F | BLACK | BLACK | LONG | 34900-4125 | CHB | | | | | | | | | F | CPA1 | PLANNED OBSOLESCENCE | | | 1 | 2 |
| KEY OPTION E | BLACK | DARK GRAY | LONG | 34900-4124 | CHB | | | | | | | | E | | CPA1 | PLANNED OBSOLESCENCE | | | 1 | 2 |
| KEY OPTION D | BLACK | LIGHT GRAY | LONG | 34900-4123 | CHB | | | | | | | | D | | CPA1 | PLANNED OBSOLESCENCE | | | 1 | 2 |
| KEY OPTION C | BLACK | DARK GRAY | LONG | 34900-4122 | CHB | | | | | | | | C | | CPA1 | PLANNED OBSOLESCENCE | | | 1 | 2 |
| KEY OPTION B | BLACK | STONE GRAY | LONG | 34900-4121 | CHB | | | | | | | | B | | CPA1 | PLANNED OBSOLESCENCE | | | 1 | 2 |
| KEY OPTION A | BLACK | BLACK | LONG | 34900-4120 | CHB | | | | | | | | A | | CPA1 | PLANNED OBSOLESCENCE | | | 1 | 2 |
| KEY OPTION G | YELLOW | LIGHT GRAY | LONG | 34900-4116 | CHY | | | | | | | | | G | CPA1 | PLANNED OBSOLESCENCE | | | 1 | 2 |
| KEY OPTION F | YELLOW | BLACK | LONG | 34900-4115 | CHY | | | | | | | | | F | CPA1 | PLANNED OBSOLESCENCE | | | 1 | 2 |
| KEY OPTION E | YELLOW | DARK GRAY | LONG | 34900-4114 | CHY | | | | | | | | E | | CPA1 | PLANNED OBSOLESCENCE | | | 1 | 2 |
| KEY OPTION D | YELLOW | LIGHT GRAY | LONG | 34900-4113 | CHY | | | | | | | | D | | CPA1 | PLANNED OBSOLESCENCE | | | 1 | 2 |
| KEY OPTION C | YELLOW | DARK GRAY | LONG | 34900-4112 | CHY | | | | | | | | C | | CPA1 | PLANNED OBSOLESCENCE | | | 1 | 2 |
| KEY OPTION B | YELLOW | STONE GRAY | LONG | 34900-4111 | CHY | | | | | | | | B | | CPA1 | PLANNED OBSOLESCENCE | | | 1 | 2 |
| KEY OPTION A | YELLOW | BLACK | LONG | 34900-4110 | CHY | | | | | | | | A | | CPA1 | PLANNED OBSOLESCENCE | | | 1 | 2 |

| DESCRIPTION | COLOR | MATERIAL | COMMENTS |
|----------------------------------|------------|--------------------------------|---------------|
| RING SEAL | LIGHT BLUE | INHERENTLY LUBRICATED SILICONE | |
| ISL | NATURAL | SPS/NYLON GF20 | |
| CPA2 | RED | PBT GF30 | |
| CPA1 | RED | PBT GF30 | |
| TERMINAL HOUSING KEYING OPTION G | LIGHT GRAY | SPS/NYLON GF20 | |
| TERMINAL HOUSING KEYING OPTION F | BLACK | SPS/NYLON GF20 | |
| TERMINAL HOUSING KEYING OPTION E | DARK GRAY | SPS/NYLON GF20 | |
| TERMINAL HOUSING KEYING OPTION D | LIGHT GRAY | SPS/NYLON GF20 | |
| TERMINAL HOUSING KEYING OPTION C | DARK GRAY | SPS/NYLON GF20 | |
| TERMINAL HOUSING KEYING OPTION B | STONE GRAY | SPS/NYLON GF20 | |
| TERMINAL HOUSING KEYING OPTION A | BLACK | SPS/NYLON GF20 | |
| MID LENGTH CONNECTOR HOUSING | BLACK | SPS/NYLON GF20 | |
| CONNECTOR HOUSING | BLACK | SPS/NYLON GF20 | UPDATED LATCH |
| CONNECTOR HOUSING | YELLOW | SPS/NYLON GF20 | UPDATED LATCH |

BOM/APPLICABLE COMPONENTS TABLE

| ABREVIATION | COMPONENT |
|-------------|---------------------------------------------------------------|
| CHY | CONNECTOR HOUSING YELLOW |
| CHB | CONNECTOR HOUSING BLACK |
| CHBM | CONNECTOR HOUSING BLACK MID SHROUD |
| A | TERMINAL HOUSING KEY A |
| B | TERMINAL HOUSING KEY B |
| C | TERMINAL HOUSING KEY C |
| D | TERMINAL HOUSING KEY D |
| E | TERMINAL HOUSING KEY E |
| F | TERMINAL HOUSING KEY F |
| G | TERMINAL HOUSING KEY G |
| CPA | CPA |
| ISL | ISL |
| RING SEAL | RING SEAL |
| 1 | USCAR INTERFACE 120-S-004-1-Z02 SEE NOTE 1f FOR WEBSITE |
| 2 | MOLEX INLINE BLADE CONNECTOR SD-34899-6001 |

| | | | | |
|------------------------|-----------------------------------------------------------------------------------------------------------------------------------------------|---------------------------------------|------------------------|---------------------------------------------------------------------------------------------------|
| QUALITY SYMBOLS | THIS DRAWING CONTAINS INFORMATION THAT IS PROPRIETARY TO MOLEX ELECTRONIC TECHNOLOGIES, LLC AND SHOULD NOT BE USED WITHOUT WRITTEN PERMISSION | | | |
| ▽ = 0 | EC NO: 617250 DRWN: VYARAPPA CHKD: MVANSLAMBROU REV APPR: MVANSLAMBROU | GENERAL TOLERANCES (UNLESS SPECIFIED) | DIMENSION UNITS | SCALE |
| ▽ = 0 | | ANGULAR TOL ± 3.0 ° | mm | 5:1 |
| ▽ = 0 | | 4 PLACES ± | DRWN BY | DATE |
| ▽ = 0 | | 3 PLACES ± | MVANSLAMBROU | 2012/05/03 |
| ▽ = 0 | 2 PLACES ± 0.1 | CHKD BY | DATE | <p>1.2MM 1X4, 1X6 RECPT. SEALED ASSEMBLY CABLE SEAL</p> |
| ▽ = 0 | 1 PLACE ± 0.2 | APPR BY | DATE | |
| ▽ = 0 | 0 PLACES ± 0.5 | GGA | 2012/12/13 | |
| ▽ = 0 | DRAFT WHERE APPLICABLE MUST REMAIN WITHIN DIMENSIONS | DRAWING SIZE | THIRD ANGLE PROJECTION | PRODUCT CUSTOMER DRAWING SERIES: 34900 MATERIAL NUMBER: SEE BOM CUSTOMER: GENERAL MARKET |
| ▽ = 0 | A13 | D | | DOCUMENT NUMBER: SD-34900-6001 DOC TYPE: PSD DOC PART: 001 SHEET NUMBER: 5 OF 7 |

1X6 RECEPTACLE SEALED ASSEMBLY BOM SHEET 1

| | | | | | | | | | | | | | | | | |
|----------------------|-------------------------|-----------------------|-----------------------------|----------------------|------|--|------|---|---|---|------|----------------------|------|--------|----------|-----------------------------------------|
| KEYING OPTION D | BLACK | STONE GRAY | MID LENGTH | 34900-6230 | | | CHMB | | | D | CPA2 | SALEABLE | | | | 3 |
| KEYING OPTION C | BLACK | DARK GRAY | MID LENGTH | 34900-6221 | | | CHMB | | C | | CPA2 | SALEABLE | | | | 3 |
| KEYING OPTION B | BLACK | LIGHT GRAY | MID LENGTH | 34900-6228 | | | CHMB | B | | | CPA2 | SALEABLE | | | | 3 |
| KEYING OPTION A | BLACK | BLACK | MID LENGTH | 34900-6219 | | | CHMB | A | | | CPA2 | SALEABLE | | | | 3 |
| KEYING OPTION D | BLACK | STONE GARY | LONG | 34900-6243 | | | CHLB | | | D | CPA2 | SALEABLE | 1 | 2 | | |
| KEYING OPTION C | BLACK | DARK GRAY | LONG | 34900-6242 | | | CHLB | | C | | CPA2 | SALEABLE | 1 | 2 | | |
| KEYING OPTION B | BLACK | LIGHT GRAY | LONG | 34900-6241 | | | CHLB | B | | | CPA2 | SALEABLE | 1 | 2 | | |
| KEYING OPTION A | BLACK | BLACK | LONG | 34900-6240 | | | CHLB | A | | | CPA2 | SALEABLE | 1 | 2 | | |
| KEYING OPTION D | YELLOW | STONE GRAY | LONG | 34900-6213 | CHLY | | | | | D | CPA2 | SALEABLE | 1 | 2 | | |
| KEYING OPTION C | YELLOW | DARK GRAY | LONG | 34900-6212 | CHLY | | | | C | | CPA2 | SALEABLE | 1 | 2 | | |
| KEYING OPTION B | YELLOW | LIGHT GRAY | LONG | 34900-6211 | CHLY | | | B | | | CPA2 | SALEABLE | 1 | 2 | | |
| KEYING OPTION A | YELLOW | BLACK | LONG | 34900-6210 | CHLY | | | A | | | CPA2 | SALEABLE | 1 | 2 | | |
| KEYING OPTION D | BLACK | STONE GRAY | MID LENGTH | 34900-6130 | | | CHMB | | | D | CPA1 | PLANNED OBSOLESCENCE | | | | 3 |
| KEYING OPTION C | BLACK | DARK GRAY | MID LENGTH | 34900-6121 | | | CHMB | | C | | CPA1 | PLANNED OBSOLESCENCE | | | | 3 |
| KEYING OPTION B | BLACK | LIGHT GRAY | MID LENGTH | 34900-6128 | | | CHMB | B | | | CPA1 | PLANNED OBSOLESCENCE | | | | 3 |
| KEYING OPTION A | BLACK | BLACK | MID LENGTH | 34900-6119 | | | CHMB | A | | | CPA1 | PLANNED OBSOLESCENCE | | | | 3 |
| KEYING OPTION D | BLACK | STONE GARY | LONG | 34900-6143 | | | CHLB | | | D | CPA1 | PLANNED OBSOLESCENCE | 1 | 2 | | |
| KEYING OPTION C | BLACK | DARK GRAY | LONG | 34900-6142 | | | CHLB | | C | | CPA1 | PLANNED OBSOLESCENCE | 1 | 2 | | |
| KEYING OPTION B | BLACK | LIGHT GRAY | LONG | 34900-6141 | | | CHLB | B | | | CPA1 | PLANNED OBSOLESCENCE | 1 | 2 | | |
| KEYING OPTION A | BLACK | BLACK | LONG | 34900-6140 | | | CHLB | A | | | CPA1 | PLANNED OBSOLESCENCE | 1 | 2 | | |
| KEYING OPTION D | YELLOW | STONE GRAY | LONG | 34900-6113 | CHLY | | | | | D | CPA1 | PLANNED OBSOLESCENCE | 1 | 2 | | |
| KEYING OPTION C | YELLOW | DARK GRAY | LONG | 34900-6112 | CHLY | | | | C | | CPA1 | PLANNED OBSOLESCENCE | 1 | 2 | | |
| KEYING OPTION B | YELLOW | LIGHT GRAY | LONG | 34900-6111 | CHLY | | | B | | | CPA1 | PLANNED OBSOLESCENCE | 1 | 2 | | |
| KEYING OPTION A | YELLOW | BLACK | LONG | 34900-6110 | CHLY | | | A | | | CPA1 | PLANNED OBSOLESCENCE | 1 | 2 | | |
| ASSEMBLY DESCRIPTION | CONNECTOR HOUSING COLOR | TERMINAL CAVITY COLOR | OUTER HOUSING SHROUD LENGTH | ASSEMBLY PART NUMBER | | | | A | B | C | D | CPA1 | CPA2 | STATUS | COMMENTS | DESIGNED TO MATE WITH DEVICE CONNECTION |

| DESCRIPTION | COLOR | MATERIAL | COMMENTS |
|----------------------------------|------------|--------------------------------|---------------|
| RING SEAL | BURNT RED | INHERENTLY LUBRICATED SILICONE | |
| ISL | NATURAL | SPS/NYLON GF20 | |
| CPA2 | RED | PBT GF30 | |
| CPA1 | RED | PBT GF30 | |
| TERMINAL HOUSING KEYING OPTION D | STONE GRAY | SPS/NYLON GF20 | |
| TERMINAL HOUSING KEYING OPTION C | DARK GRAY | SPS/NYLON GF20 | |
| TERMINAL HOUSING KEYING OPTION B | LIGHT GRAY | SPS/NYLON GF20 | |
| TERMINAL HOUSING KEYING OPTION A | BLACK | SPS/NYLON GF20 | |
| CONNECTOR HOUSING MID LENGTH | BLACK | SPS/NYLON GF20 | UPDATED LATCH |
| CONNECTOR HOUSING LONG | BLACK | SPS/NYLON GF20 | UPDATED LATCH |
| CONNECTOR HOUSING LONG | YELLOW | SPS/NYLON GF20 | UPDATED LATCH |

BOM / APPLICABLE COMPONENTS TABLE

LEGEND TABLE

| ABBREVIATION | COMPONENT |
|--------------|---------------------------------------------------------------|
| CHLY | CONNECTOR HOUSING LONG YELLOW |
| CHLB | CONNECTOR HOUSING LONG BLACK |
| CHMB | CONNECTOR HOUSING MEDIUM BLACK |
| A | TERMINAL HOUSING KEY A |
| B | TERMINAL HOUSING KEY B |
| C | TERMINAL HOUSING KEY C |
| D | TERMINAL HOUSING KEY D |
| CPA | CPA |
| ISL | ISL |
| RING SEAL | RING SEAL |
| 1 | USCAR INTERFACE 120-S-006-1-Z02 SEE NOTE 1f FOR WEBSITE |
| 2 | MOLEX INLINE BLADE CONNECTOR SD-34899-6001 |
| 3 | USCAR INTERFACE 120-S-006-1-Z04 SEE NOTE 1f FOR WEBSITE |

| | | | | | | | | | | | |
|--------------------------------|-----------------------------------------------------------------------------------------------------------------------------------------------|------------------------------------------------------------------------------------------------------|--|-------------------------------------------|--|-----------------------------------------------------------------------------------------------|--|--|--|--|--|
| QUALITY SYMBOLS | THIS DRAWING CONTAINS INFORMATION THAT IS PROPRIETARY TO MOLEX ELECTRONIC TECHNOLOGIES, LLC AND SHOULD NOT BE USED WITHOUT WRITTEN PERMISSION | | | | | | | | | | |
| | EC NO: 617250 DRWN: VYARAPPA CHKD: MVANSLAMBROU REV APPR: MVANSLAMBROU | GENERAL TOLERANCES (UNLESS SPECIFIED) DIMENSION UNITS: mm SCALE: 2:1 | | DRWN BY: MVANSLAMBROU DATE: 2012/05/03 | | | | | | | |
| | | ANGULAR TOL ± 3.0 ° 4 PLACES ± 3 PLACES ± 2 PLACES ± 0.1 1 PLACE ± 0.2 0 PLACES ± 0.5 | | CHKD BY: GGA DATE: 2012/12/13 | | | | | | | |
| | | DRAFT WHERE APPLICABLE MUST REMAIN WITHIN DIMENSIONS | | D D | | PRODUCT CUSTOMER DRAWING SERIES: 34900 MATERIAL NUMBER: SEE TABLE CUSTOMER: GENERAL MARKET | | | | | |
| DOCUMENT NUMBER: SD-34900-6001 | | DOC TYPE: PSD | | DOC PART: 001 | | SHEET NUMBER: 6 OF 7 | | | | | |


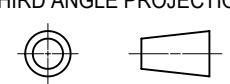
OBSELETE PART NUMBERS

| | |
|----------------------|----------|
| 34900-4026 | OBSELETE |
| 34900-4025 | OBSELETE |
| 34900-4024 | OBSELETE |
| 34900-4023 | OBSELETE |
| 34900-4022 | OBSELETE |
| 34900-4021 | OBSELETE |
| 34900-4020 | OBSELETE |
| 34900-4016 | OBSELETE |
| 34900-4015 | OBSELETE |
| 34900-4014 | OBSELETE |
| 34900-4013 | OBSELETE |
| 34900-4012 | OBSELETE |
| 34900-4011 | OBSELETE |
| 34900-4010 | OBSELETE |
| ASSEMBLY PART NUMBER | STATUS |

1X4

| | |
|----------------------|----------|
| 34900-6030 | OBSELETE |
| 34900-6021 | OBSELETE |
| 34900-6028 | OBSELETE |
| 34900-6019 | OBSELETE |
| 34900-6043 | OBSELETE |
| 34900-6042 | OBSELETE |
| 34900-6041 | OBSELETE |
| 34900-6040 | OBSELETE |
| 34900-6013 | OBSELETE |
| 34900-6012 | OBSELETE |
| 34900-6011 | OBSELETE |
| 34900-6010 | OBSELETE |
| ASSEMBLY PART NUMBER | STATUS |

1X6

| | | | | | | | | | | | |
|-----------------------------------------------------------------------------------------------------------------------------------------------|-------|-----------------------------------------------------------------------------------------------------------------------------------------------------------|--|--------|---------------------------------------------------------------------------------------|-------|-----------------|----------------|----------|--------------|--|
| THIS DRAWING CONTAINS INFORMATION THAT IS PROPRIETARY TO MOLEX ELECTRONIC TECHNOLOGIES, LLC AND SHOULD NOT BE USED WITHOUT WRITTEN PERMISSION | | | | | | | | | | | |
| DIMENSION UNITS | SCALE | Material: | | |  | | | | | | |
| mm | 1:1 | Heat treat: | | | | | | | | | |
| GENERAL TOLERANCES (UNLESS SPECIFIED) | | Finish: | | | 1.2MM 1X4, 1X6 RECPT. SEALED ASSEMBLY CABLE SEAL | | | | | | |
| ANGULAR TOL ± 3.0 ° | | CURRENT REV DESC: | | | | | | | | | |
| 4 PLACES | ± | EC NO: 617250 DRWN: VYARAPPA 2017/05/04 CHK'D: MVANSLAMBROU 2019/05/22 APPR: MVANSLAMBROU 2019/05/22 ORIG DRWN BY: MVANSLAMBROU 2012/05/03 | | | PRODUCT CUSTOMER DRAWING | | | | | | |
| 3 PLACES | ± | | | | DOCUMENT NUMBER | | | | | | |
| 2 PLACES | ± 0.1 | | | | SD-34900-6001 | | | | | | |
| 1 PLACE | ± 0.2 | | | | PSD 001 A13 | | | | | | |
| 0 PLACES | ± 0.5 | DRAWING | | | SERIES | | MATERIAL NUMBER | | CUSTOMER | | |
| TOOL NUMBER | | THIRD ANGLE PROJECTION | | D-SIZE | | 34900 | | GENERAL MARKET | | SHEET NUMBER | |
| | |  | | D | | | | 7 OF 7 | | | |