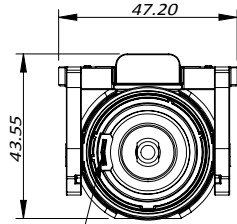
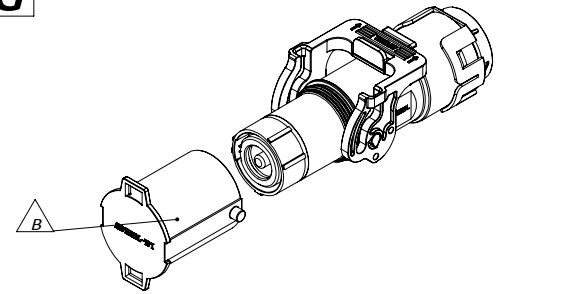


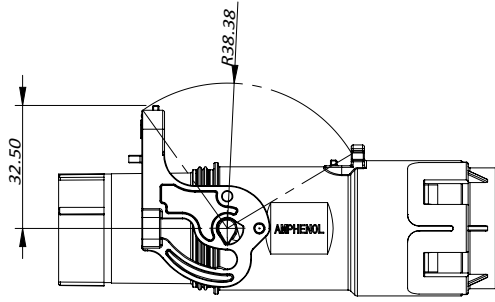
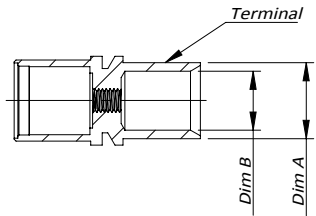
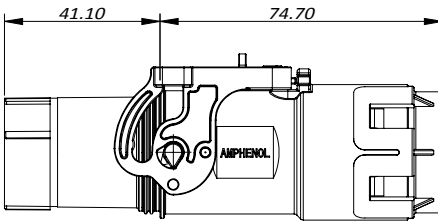
THIS DRAWING IS SUPPLIED FOR INFORMATION ONLY. DESIGN FEATURES, SPECIFICATIONS AND PERFORMANCE DATA SHOWN HEREON ARE THE PROPERTY OF THE AMPHENOL CORPORATION. NO RIGHTS OF REPRODUCTION ARE IMPLIED. ALL DIMENSIONS ARE SUBJECT TO NORMAL MANUFACTURING VARIATIONS.

# CUSTOMER DRAWING

REVISIONS					
REV#	ECN#	REVISION ACTION	REV.BY:	APPR.BY:	DATE
A	--	INITIAL RELEASE	Star	JL	10/26/2020
B	--	Add Dust Cap And Protection Cap	Star	JL	01/13/2021



**HVIL Contact**  
Rotated 90D compared with standard version



## 订购信息 Ordering Information

PL19 X - 50 1 - 95 - 2 - 5

Key and Color	HVIL	Cable size:	Cable Type:
"X", Orange	"0", NO HVIL	"70"=70mm <sup>2</sup>	"-5", Huber+Suhner
"Y", Black	"1", With HVIL	"95"=95mm <sup>2</sup>	
"U", Yellow		"120"=120mm <sup>2</sup>	
"V", Green			
"W", Red			
"T", Blue			

### 规格参数(Spec.):

- 工作温度 Operating temperature: -40°C ~ +125°C.
- 带高压互锁 Electrical interlock (HVIL).
- 额定电流 Current rating:  
Power: 70mm<sup>2</sup>, 250A; 95mm<sup>2</sup>, 300A; 120mm<sup>2</sup>, 400A; HVIL: 5A.
- 额定电压 Operating voltage:  
Power: 1000 VDC; Signal: 60 VDC.
- 耐电压 Dielectric withstanding voltage:
  - A. 与插座对插后, Pin与铁壳之间  
When mated, between pin and metal shell: 5000 VDC.
  - B. 与插座对插后, Pin与HVIL之间  
When mated, between pin and HVIL: 5000 VDC.
  - C. 与插座对插后, HVIL与铁壳之间  
When mated, between HVIL and metal shell: 500 VDC.
  - D. 与插座对插前, 两个HVIL端子之间耐压  
Before mating, between two HVIL terminals: 500 VDC.
- 防护等级 Protection class: Mated-IP6k9k & IP67, unmated-IP2X.
- 电磁屏蔽 360°full Shielding.
- 机械寿命 Mating cycle: 100 Min.
- 带CPA的摇杆系统 Latch system with CPA.
- 绝缘材料满足UL94 V-0 Inner insulation material satisfy UL94V-0.
- 镀灰锌/锌镍合金, 符合RoHS, 满足500H中性盐雾实验  
Gray Zinc/Nickel(ZnNi)Plating. RoHS compliant, Rated at 500hours salt spray.
- 对配插座型号: Model of mating receptacle: PL00(X)-50(X)-90(XX)-2

### Standard Part List:

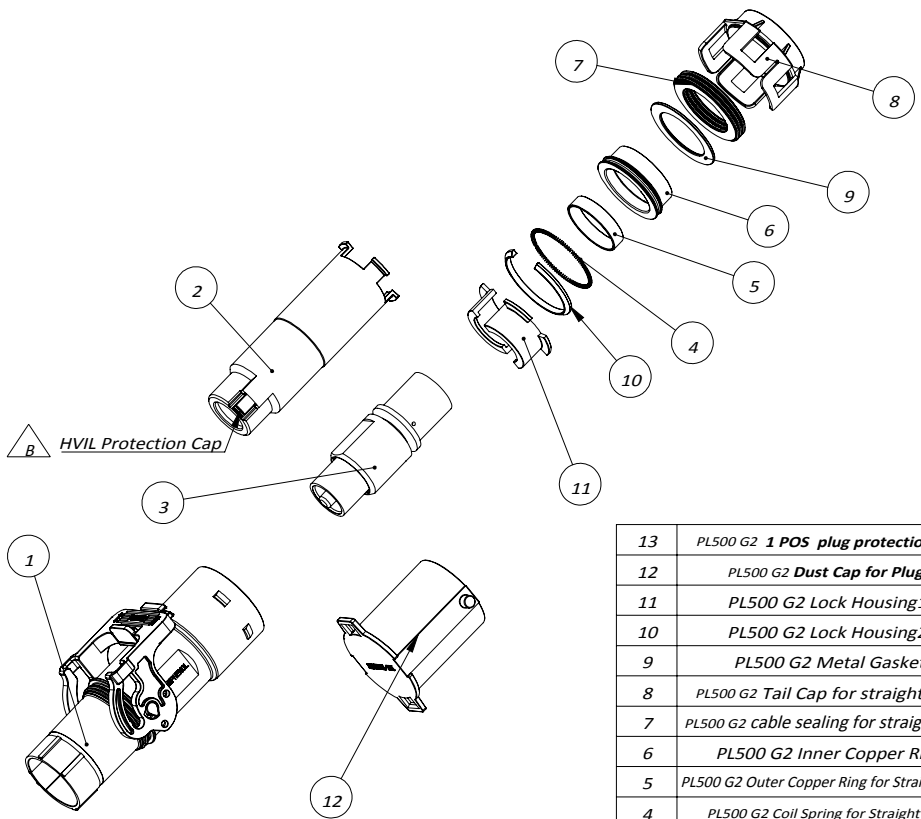
Model No.	Overall-diameter Nominal(mm)	Dia Primary Insulation(mm)	Intside-diameter of terminal(mm): "B"	Outside-diameter of terminal(mm): "A"
PL19(X)-50X-70-2-5	17.00±0.3	13.70±0.3	12.2±0.3	16.7±0.3
PL19(X)-50X-95-2-5	19.90±0.4	16.20±0.3	13.9±0.3	17.9±0.3
PL19(X)-50X-120-2-5	22.60±0.4	18.00±0.3	15.6±0.3	20.1±0.3

		Amphenol Technical Products International Asia.					<b>PART NAME:</b> PL14mm G2 Straight Plug 90D
		第三角投影 THIRD ANGLE PROJECTION	页面 SHEET	幅面 SIZE	版次 REV.	比例 SCALE	
签名 SIGNATURE		日期 DATE		UNLESS OTHERWISE SPECIFIED 1) All dimensions are in metric(mm). 2) Tolerances are as follows: 1.PL DEC ± 1.00 2.PL DEC ± 0.50 3.PL DEC ± 0.20		<b>CUST PART #</b>	
制图 DRAWN		审核 CHECKED		批准 APPROVAL			<b>CUST REV.</b>

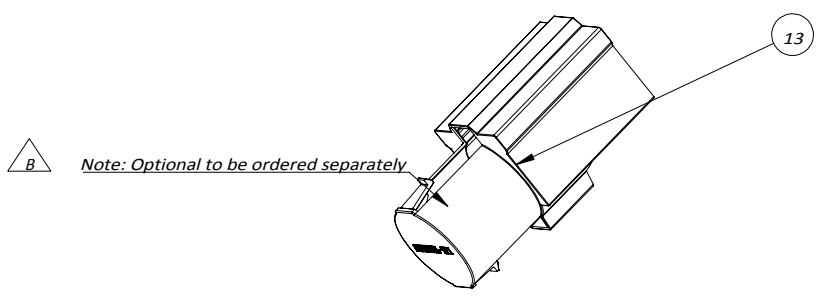
THIS DRAWING IS SUPPLIED FOR INFORMATION ONLY. DESIGN FEATURES, SPECIFICATIONS AND PERFORMANCE DATA SHOWN HEREON ARE THE PROPERTY OF THE AMPHENOL CORPORATION. NO RIGHTS OF REPRODUCTION ARE IMPLIED. ALL DIMENSIONS ARE SUBJECT TO NORMAL MANUFACTURING VARIATIONS.

1	2	3
型号 Model	Kit Package P/N	Bulk Package P/N
PL19X-500-95-2-5	AC-HA014565	AC-HA014565-2
PL19Y-500-95-2-5	AC-HA014566	AC-HA014566-2
PL19U-500-95-2-5	AC-HA014567	AC-HA014567-2
PL19V-500-95-2-5	AC-HA014568	AC-HA014568-2
PL19W-500-95-2-5	AC-HA014569	AC-HA014569-2
PL19T-500-95-2-5	AC-HA014570	AC-HA014570-2
PL19X-500-120-2-5	AC-HA014571	AC-HA014571-2
PL19Y-500-120-2-5	AC-HA014572	AC-HA014572-2
PL19U-500-120-2-5	AC-HA014573	AC-HA014573-2
PL19V-500-120-2-5	AC-HA014574	AC-HA014574-2
PL19W-500-120-2-5	AC-HA014575	AC-HA014575-2
PL19T-500-120-2-5	AC-HA014576	AC-HA014576-2
PL19X-500-70-2-5	AC-HA014577	AC-HA014577-2
PL19Y-500-70-2-5	AC-HA014578	AC-HA014578-2
PL19U-500-70-2-5	AC-HA014579	AC-HA014579-2
PL19V-500-70-2-5	AC-HA014580	AC-HA014580-2
PL19W-500-70-2-5	AC-HA014581	AC-HA014581-2
PL19T-500-70-2-5	AC-HA014582	AC-HA014582-2
PL19X-501-95-2-5	AC-HA014583	AC-HA014583-2
PL19Y-501-95-2-5	AC-HA014584	AC-HA014584-2
PL19U-501-95-2-5	AC-HA014585	AC-HA014585-2
PL19V-501-95-2-5	AC-HA014586	AC-HA014586-2
PL19W-501-95-2-5	AC-HA014587	AC-HA014587-2
PL19T-501-95-2-5	AC-HA014588	AC-HA014588-2
PL19X-501-120-2-5	AC-HA014589	AC-HA014589-2
PL19Y-501-120-2-5	AC-HA014590	AC-HA014590-2
PL19U-501-120-2-5	AC-HA014591	AC-HA014591-2
PL19V-501-120-2-5	AC-HA014592	AC-HA014592-2
PL19W-501-120-2-5	AC-HA014593	AC-HA014593-2
PL19T-501-120-2-5	AC-HA014594	AC-HA014594-2
PL19X-501-70-2-5	AC-HA014595	AC-HA014595-2
PL19Y-501-70-2-5	AC-HA014596	AC-HA014596-2
PL19U-501-70-2-5	AC-HA014597	AC-HA014597-2
PL19V-501-70-2-5	AC-HA014598	AC-HA014598-2
PL19W-501-70-2-5	AC-HA014599	AC-HA014599-2
PL19T-501-70-2-5	AC-HA014600	AC-HA014600-2

REVISIONS					
REV#	ECN#	REVISION ACTION	REV.BY:	APPR.BY:	DATE
A	--	INITIAL RELEASE	Star	JL	10/26/2020
B	--	Add Dust Cap And Protection Cap	Star	JL	01/13/2021



ITEM	DESCRIPTION	QTY	REMARK
13	PL500 G2 1 POS plug protection cap	1	Order P/N AC-CP001600
12	PL500 G2 Dust Cap for Plug	1	
11	PL500 G2 Lock Housing1	2	Different P/N are used according to different Cable sizes
10	PL500 G2 Lock Housing2	1	
9	PL500 G2 Metal Gasket	1	Different P/N are used according to different Cable sizes
8	PL500 G2 Tail Cap for straight plug	1	Different P/N are used according to different Cable sizes
7	PL500 G2 cable sealing for straight plug	1	Different P/N are used according to different Cable sizes
6	PL500 G2 Inner Copper Ring	1	Different P/N are used according to different Cable sizes
5	PL500 G2 Outer Copper Ring for Straight Plug	1	Different P/N are used according to different Cable sizes
4	PL500 G2 Coil Spring for Straight Plug	1	Different P/N are used according to different Cable sizes
3	PL500 G2 Terminal Assy	1	
2	PL500 G2 Insulation Sleeve Assy	1	
1	PL500 G2 Shell Plug Assy	1	Different P/N are used according to different Cable sizes
ITEM	DESCRIPTION	QTY	REMARK



**Amphenol Technical Products International Asia.**

第三角投影 THIRD ANGLE PROJECTION	页面 SHEET	幅面 SIZE	版次 REV.	比例 SCALE	<b>PART NAME:</b> PL14mm G2 Straight Plug 90D
2 OF 2	A4	B			
签名 SIGNATURE		日期 DATE		<b>DWG NO:</b> PL19X-50X-XX-2-5  <b>CUST PART #</b>	
制图 DRAWN	Star	01/13/2021			
审核 CHECKED					
批准 APPROVAL					

UNLESS OTHERWISE SPECIFIED

1) All dimensions are in metric(mm).

2) Tolerances are as follows:

1.PL DEC ± 1.00

2.PL DEC ± 0.50

3.PL DEC ± 0.20

Angles ±1°