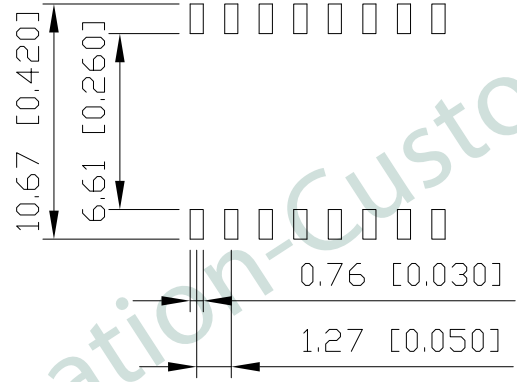
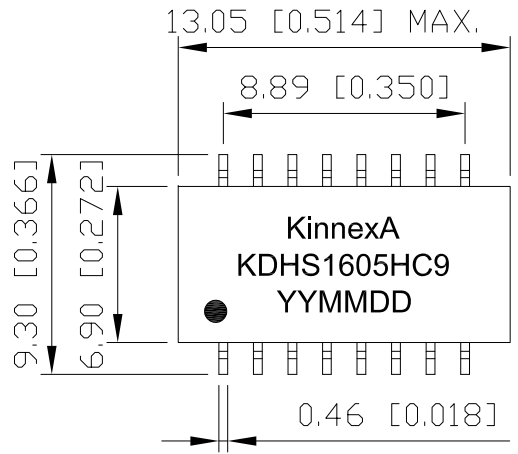
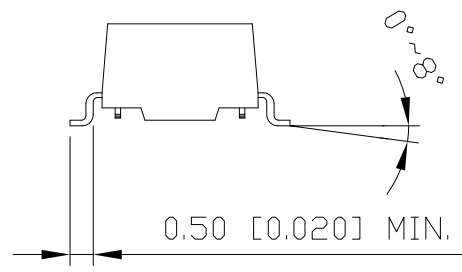
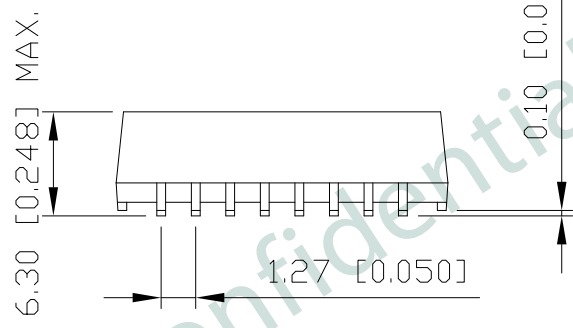


1. MECHANICAL DIMENSIONS : \triangle_B

REV.	DATE	DESCRIPTION
B	Mar.15,17	CHANGE DESIGN



SUGGESTED PAD LAYOUT



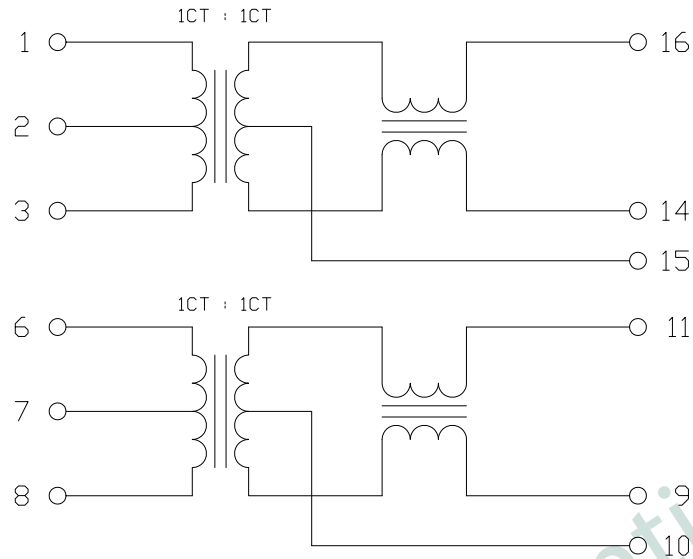
0.10 [0.004] MIN.

Operating temperature: -40°C ~ +85°C
 Dimensions: mm [Inches]
 Unless otherwise specified, all tolerances are ± 0.25 [0.010]

PART NO		KTFZ-DHS1605HC9		
TITLE	KTFZ 10/100 BASE - TX SINGLE PORT, TRANSFORMER MODULE			
REV : B				
UNIT	DRAWN	CHKD	DATE	SHEET
mm[inch]	DANIEL	RYAN	Mar.15,17	1 of 2

RoHS Compliant


2. SCHEMATIC :



3. ELECTRICAL CHARACTERISTICS :

TEST NOTES:(25°±5°C)

1. TR:(100KHz,0.1V)
INPUT TO OUTPUT=1:1±5%
2. LX:(100KHz,0.2V,8mA, DC Bias)
TRANSFORMER=350uH MINIMUM
3. DCR
EVERY RJ PAIR=1.1 Ω MAXIMUM
4. HIPOT:
INPUT TO OUTPUT : 1500VAC FOR 60 SECONDS
5. INSERTION LOSS:
-1.1dB MAXIMUM AT 0.3MHz TO 100MHz
6. RETURN LOSS:
-18dB MINIMUM AT 0.3MHz TO 30MHz
-16dB MINIMUM AT 40MHz
-14.5dB MINIMUM AT 50MHz
-12dB MINIMUM AT 60MHz TO 80MHz
7. CROSS TALK:
-42dB MINIMUM AT 0.3MHz TO 60MHz
-35dB MINIMUM AT 60MHz TO 100MHz
8. COMMON TO COMMON MODE REJECTION:
-40dB MINIMUM AT 0.3MHz TO 30MHz
-35dB MINIMUM AT 60MHz
-30dB MINIMUM AT 80MHz TO 100MHz

 PART NO		KTFZ-DHS1605HC9		
TITLE	KTFZ 10/100 BASE - TX SINGLE PORT, TRANSFORMER MODULE			
REV : B				
UNIT	DRAWN	CHKD	DATE	SHEET
mm[inch]	DANIEL	RYAN	Mar.15,17	2 of 2