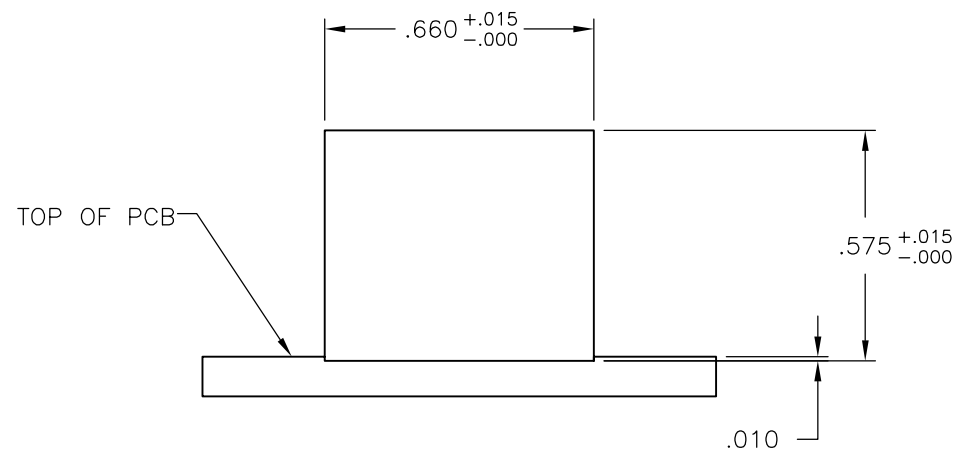
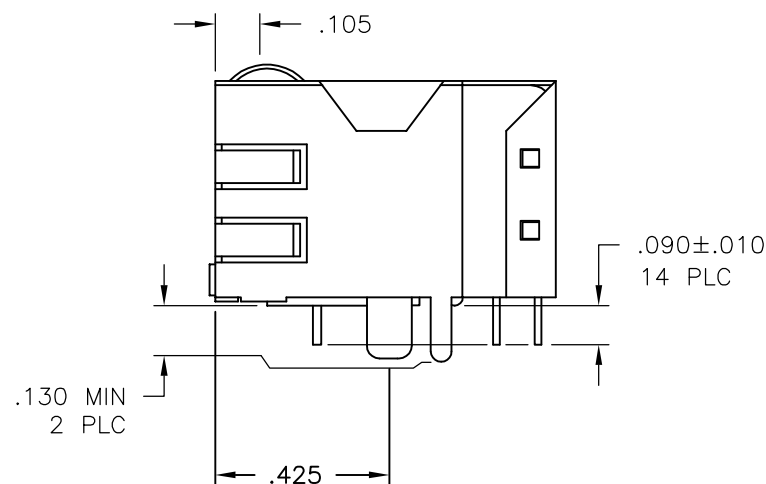
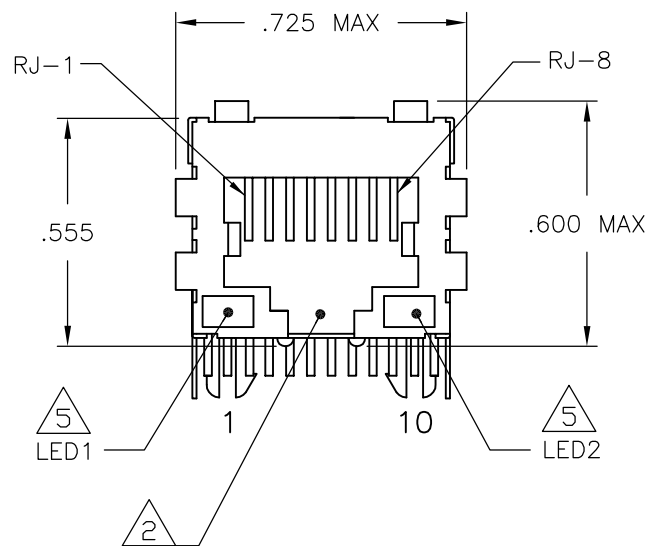
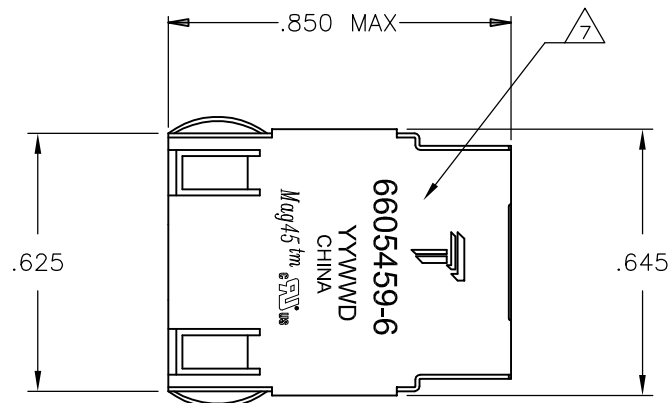


REVISIONS				
P	LTR	DESCRIPTION	DATE	APVD
E		LOGO CHANGE	23APR2013	KZ

MECHANICAL:



Suggested Panel Cutout

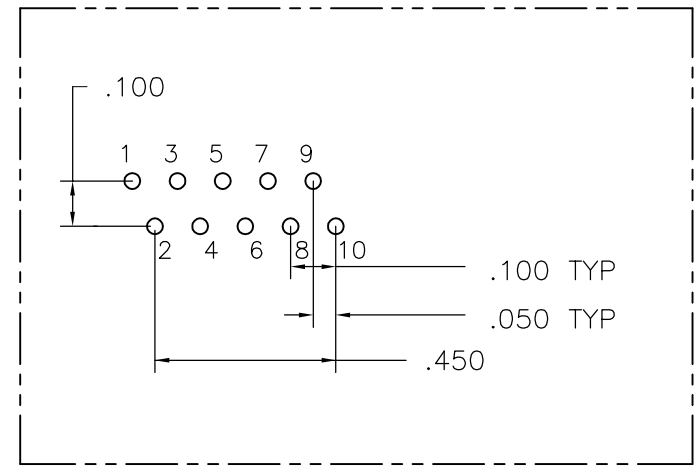
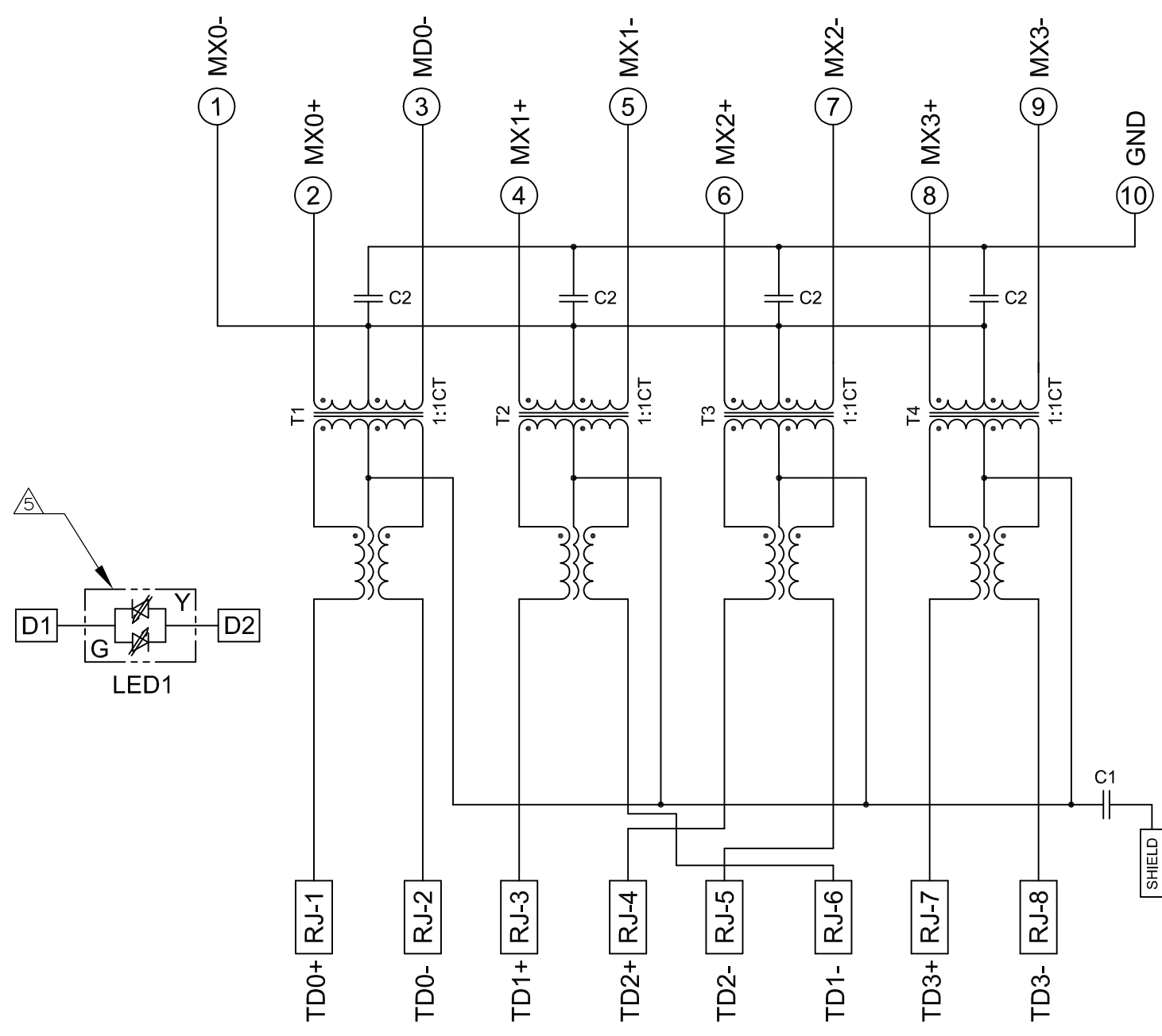
- 1 MATERIALS:
HOUSING - THERMOPLASTIC PET POLYESTER FLAMMABILITY RATING UL 94V-0.
SHIELD - .010" THICK, C26800 BRASS PREPLATED WITH 30μINCH MIN SEMI-BRIGHT NICKEL.
SOLDER TABS POST DIPPED WITH 100μINCH MIN SAC SOLDER.
MOD JACK CONTACTS - 0.0157 X 0.018" PHOSPHOR BRONZE, 50μINCH MIN OVERALL NICKEL UNDERPLATE WITH SELECT 50μINCH MIN HARD GOLD FINISH PLATE. SOLDER TAILS WITH 100μINCH MIN MATTE TIN AND/OR SAC SOLDER DIP.
LIGHT EMITTING DIODE(LED) - DIFFUSED EPOXY LENS, .020" X .020" CARBON STEEL WIREFRAME LEADS PRE-PLATED WITH 80μINCH SILVER OVER 40μINCH NICKEL UNDERPLATE OVER 40μINCH COPPER UNDERPLATE. POST-PLATED WITH 100μINCH MIN MATTE TIN AND/OR SAC SOLDER DIP OR PURE TIN SOLDER DIP.
- 2 RJ45 JACK CAVITY CONFORMS TO FCC RULES AND REGULATIONS PART 68, SUB PART F.
- 3 MAGNETICS
-IMPEDANCE: 100 OHMS
-TURNS RATIO (CHIP:CABLE): 1:1 ALL FOUR PAIRS
-OPEN CIRCUIT INDUCTANCE (OCL): 350μH MIN @100kHz, 0.1VRMS, 8mADC BIAS FROM 0°C TO 70°C, ALL FOUR PAIRS
-ALL FOUR PAIRS BI-DIRECTIONAL
-PERFORMANCE @ 25°C:
 INSERTION LOSS (IL): 1.1dB MAX FROM 0.5MHz TO 100MHz
 RETURN LOSS (RL): 18dB MIN FROM 0.5MHz TO 40MHz
 12-20LOG(f/80)dB MIN FROM 40.1MHz TO 100MHz
 CROSSTALK ATTENUATION: 35dB MIN FROM 0.5MHz TO 40MHz
 33-20*LOG(f/50)dB MIN FROM 40.1MHz TO 100MHz
 COMMON MODE REJECTION RATIO (CMRR): 30dB MIN FROM 0.5MHz TO 100MHz
-ISOLATION VOLTAGE:2250VDC (MAX) FOR 60 SECONDS WITH A RISE TIME OF 500V/SEC.
- 4 OPERATING TEMPERATURE: FROM 0°C TO +70°C.
- 5 LEDs WITHOUT BUILT-IN RESISTOR
LEDs ARE DRIVEN WITH CONSTANT CURRENT AT APPROX 20 mA
LED COLOR: DOMINANT WAVELENGTH (λD): GREEN 568 nm TYP @ IF=20 mA
FORWARD VOLTAGE (VF): GREEN 2.2V TYP @ IF=20 mA
DOMINANT WAVELENGTH (λD): YELLOW 588 nm TYP @ IF=20 mA
FORWARD VOLTAGE (VF): YELLOW 2.1V TYP @ IF=20 mA
- 6 INDICATED MAGNETIC CONNECTIONS ARE SYMMETRIC TO SUPPORT AUTO-MDI/MDIX.
- 7 TRP CONNECTOR LOGO, PART NUMBER, DATE CODE, COUNTRY OF ORIGIN AND AGENCY APPROVAL MARKING IN APPROXIMATE LOCATION SHOWN.
- 8 THE PART IS RECOMMENDED FOR WAVE SOLDERING PROCESS, PREHEAT TEMPERATURE IS 120°C TO 160°C, 120 SECONDS TO 180 SECONDS, PEAK WAVE SOLDERING TEMPERATURE IS 260°C MAX, 10 SECONDS MAX.

THIS DRAWING IS A CONTROLLED DOCUMENT.		DWN L. VARELA - DOCK5 09MAR2005	09MAR2005	GREEN/YELLOW	GREEN/YELLOW	6605459-6
DIMENSIONS: INCHES		CHK D. FAROLE 09MAR2005	09MAR2005	5 LED1	5 LED2	PART NUMBER
TOLERANCES UNLESS OTHERWISE SPECIFIED:		APVD D. FAROLE 09MAR2005	09MAR2005	TRP connector Dongguan China		
0 PLC ± - 1 PLC ± - 2 PLC ± .010 3 PLC ± .005 4 PLC ± - ANGLES ± -		PRODUCT SPEC 108-2100	NAME 1X1 MAG45(TM), 4G08P1 GIGABIT ETHERNET MAGNETIC SCHEMATIC (10 PIN HORIZ FOOTPRINT), SHIELDED, WITH BI-COLOR LEDs	RESTRICTED TO		
MATERIAL		APPROVAL SPEC	SIZE A2	CAGE CODE	DRAWING NO C-6605459	SCALE NTS
FINISH		WEIGHT	SHEET 1 OF 2		REV E	
CUSTOMER DRAWING						

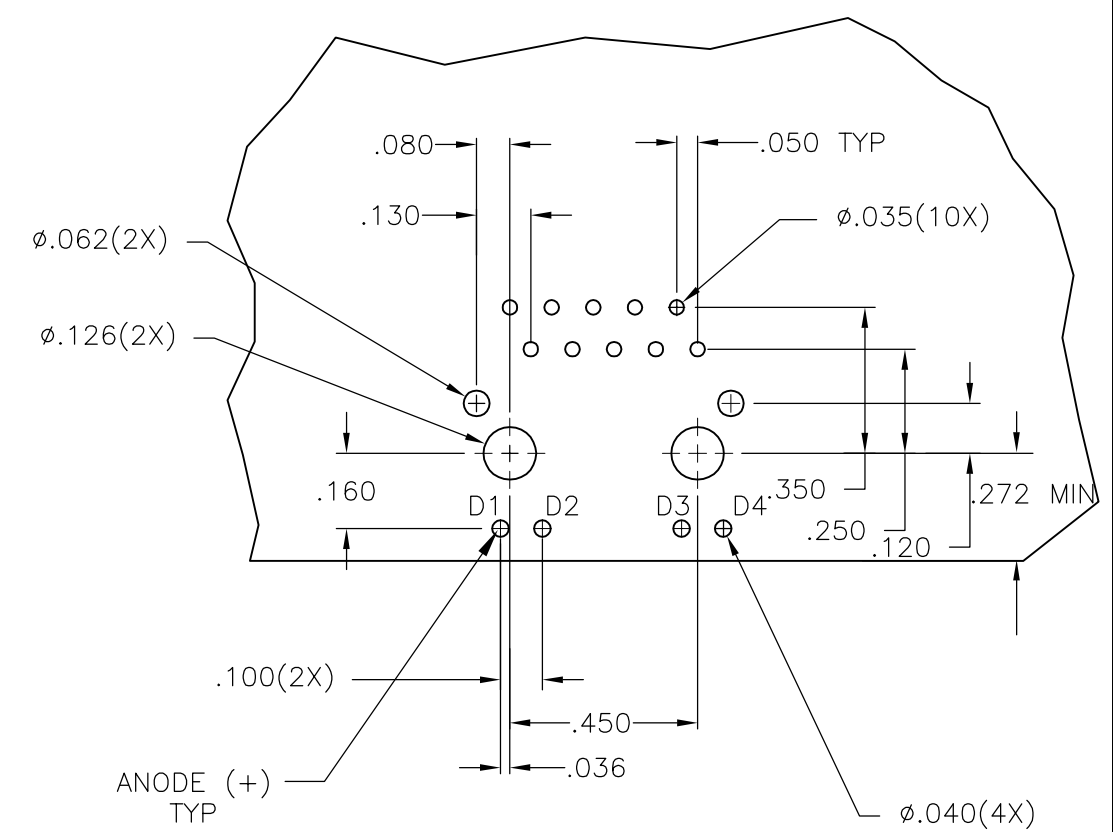
REVISIONS				
P	LTR	DESCRIPTION	DATE	APVD
-	-		-	-

ELECTRICAL:

4G08P1 GIGABIT Magnetic Circuit $\triangle_3 \triangle_6$



Pin Designations



Suggested PCB Layout
(Component Side)

C1 = 1000 pF, 2kV CAPACITOR
C2-C5 = 470 pF, 50V CAPACITORS

THIS DRAWING IS A CONTROLLED DOCUMENT.		DWN L. VARELA 09MAR2005		TRP connector Dongguan China
DIMENSIONS: INCHES		CHK D. FAROLE 09MAR2005		APVD D. FAROLE 09MAR2005
TOLERANCES UNLESS OTHERWISE SPECIFIED:		PRODUCT SPEC 108-2100	NAME 1X1 MAG45(TM), 4G08P1 GIGABIT ETHERNET MAGNETIC SCHEMATIC (10 PIN HORIZ FOOTPRINT), SHIELDED, WITH BI-COLOR LEADS	SCALE NTS
MATERIAL SEE SHEET 1		FINISH SEE SHEET 1	SIZE A2	CAGE CODE C=6605459
CUSTOMER DRAWING		WEIGHT -	DRAWING NO -	SHEET 2 OF 2
				REV E