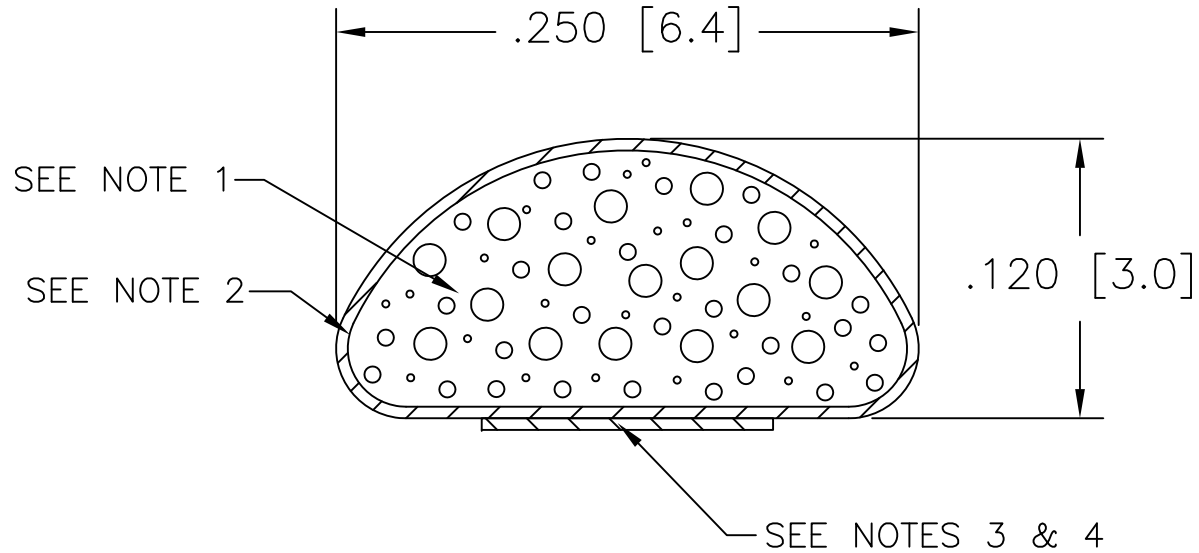


CONFIDENTIAL & PROPRIETARY

THIS INFORMATION IS CONFIDENTIAL AND PROPRIETARY TO LAIRD TECHNOLOGIES. IT MAY NOT BE DISCLOSED TO ANYONE, OTHER THAN LAIRD TECHNOLOGIES PERSONNEL, WITHOUT WRITTEN AUTHORIZATION FROM LAIRD TECHNOLOGIES.



NOTES:

1. FOAM: POLYURETHANE
2. FABRIC: NICKEL PET-TAF FR Ecogreen
3. TAPE: .125" TAPE HI-TEMP
4. LINER: NO EXTENDED RELEASE LINER
5. FABRIC SEAM LOCATION MAY VARY.
6. THIS PART IS RoHS COMPLIANT

REVISIONS: 1. TAPE WAS .100" - P08-006 - 1/21/08 FJG

TITLE:

SHIELDING GASKET

Dwg. or Part No.

4202-PA-51H

REV.

1

| | | |
|--------------|----------|--------|
| DRAWN | DATE | SCALE: |
| GIBILTERRA | 10/01/07 | 1/1 |
| CHECKED BY: | DATE | |
| FJG | 10/01/07 | |
| RELEASED BY: | DATE | |
| FJG | 10/01/07 | |

| | | |
|--|-------------------|--------------------|
| DIMENSIONS ARE IN INCHES. UNLESS OTHERWISE SPECIFIED, TOLERANCES ARE AS FOLLOWS: | | |
| DECIMALS | LENGTH | |
| .XX ± .03 | 0" - 6" ± .030" | |
| .XXX ± .020 | 6" - 11" ± .050" | |
| | 11" - 48" ± .100" | |
| ANGLES | 48" - 70" ± .187" | |
| | ± 1/2° | 70" - 144" ± .250" |

