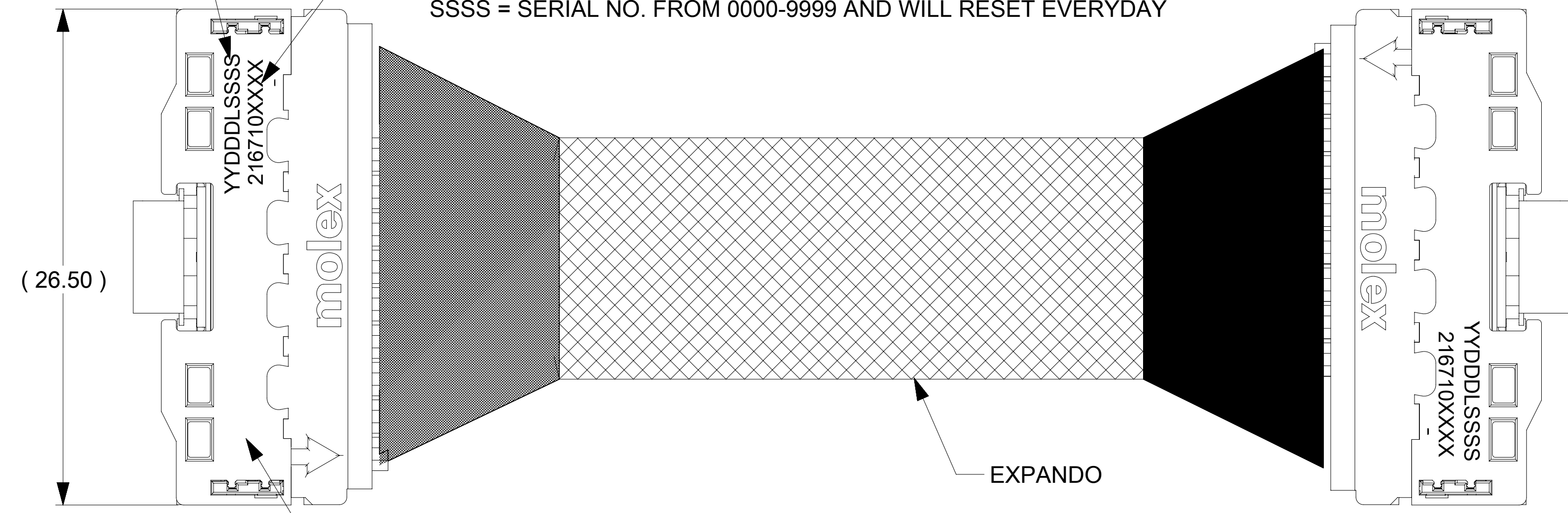


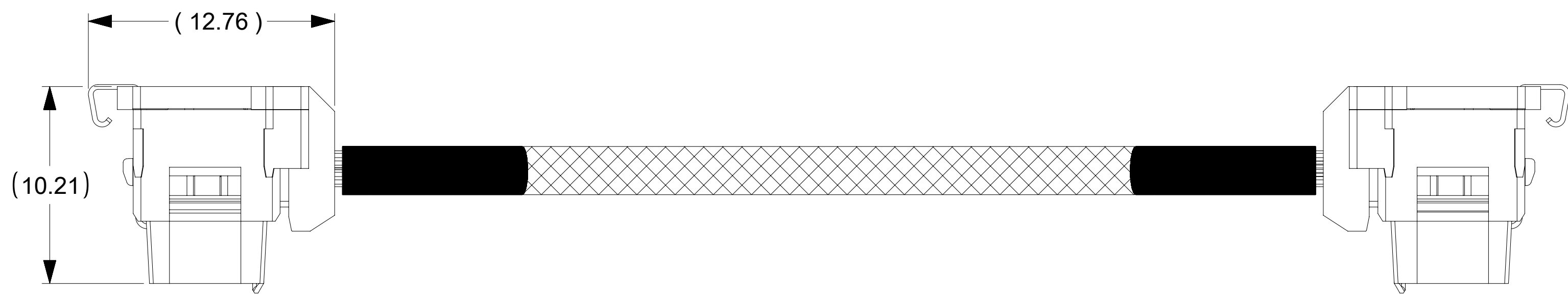
SERIAL NUMBER

PART NUMBER
 FORMAT: YY = YEAR
 DDD = JULIAN DATE
 L = LINE CODE (1 = LR, 2 = GUAD, 3 = DG, 4 = PHL)
 SSSS = SERIAL NO. FROM 0000-9999 AND WILL RESET EVERYDAY



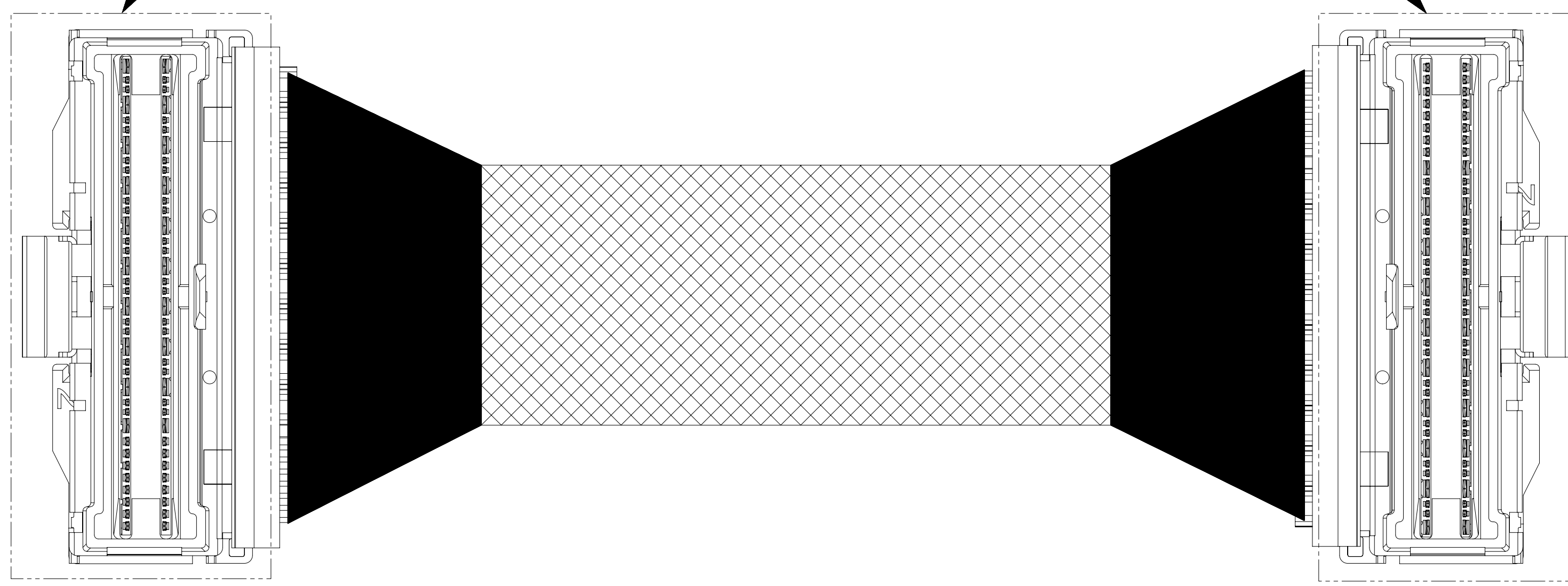
(26.50)

2D BARCODE



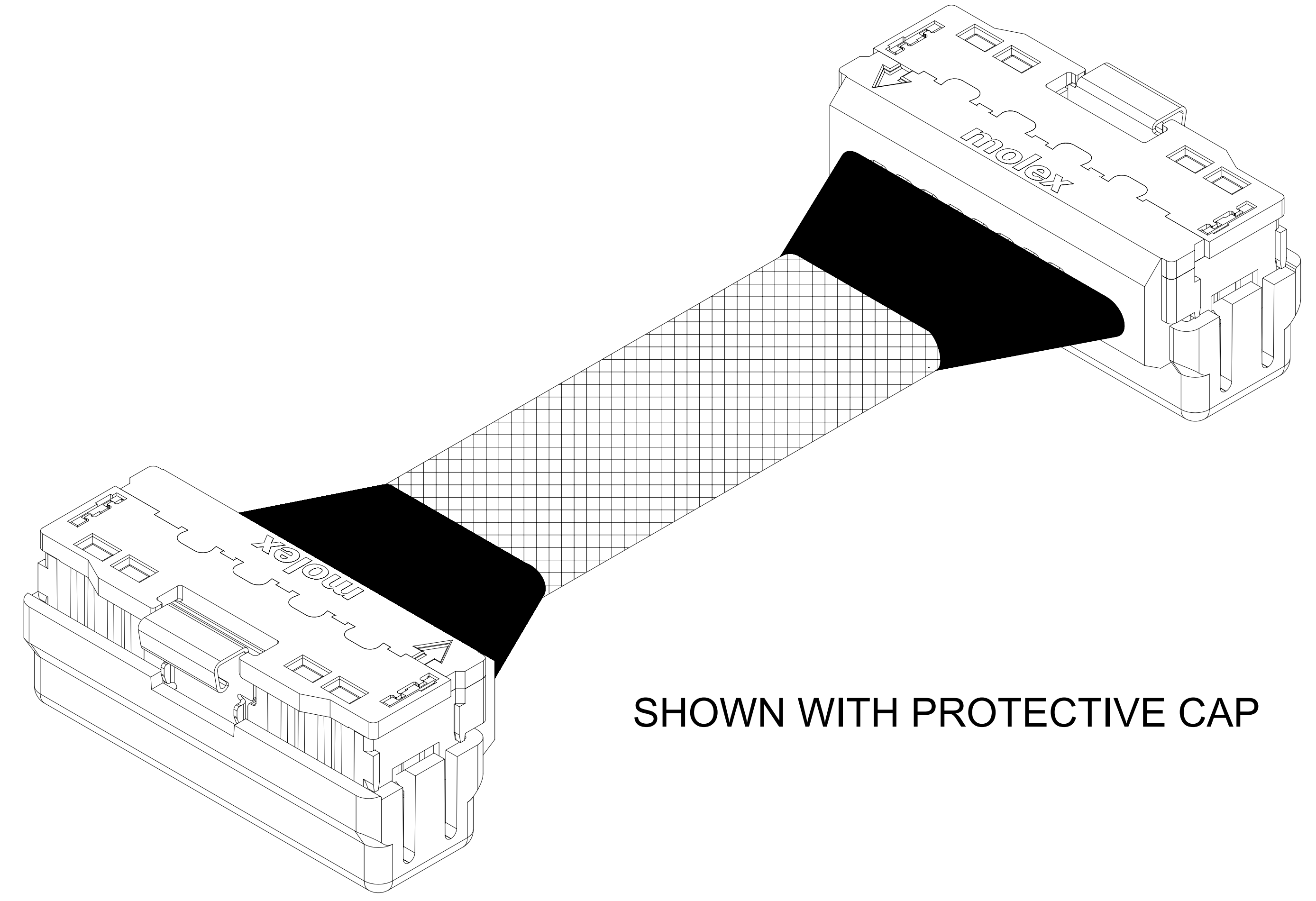
DETAIL B

DETAIL C



SALES DWG ASSEMBLY NOTES:

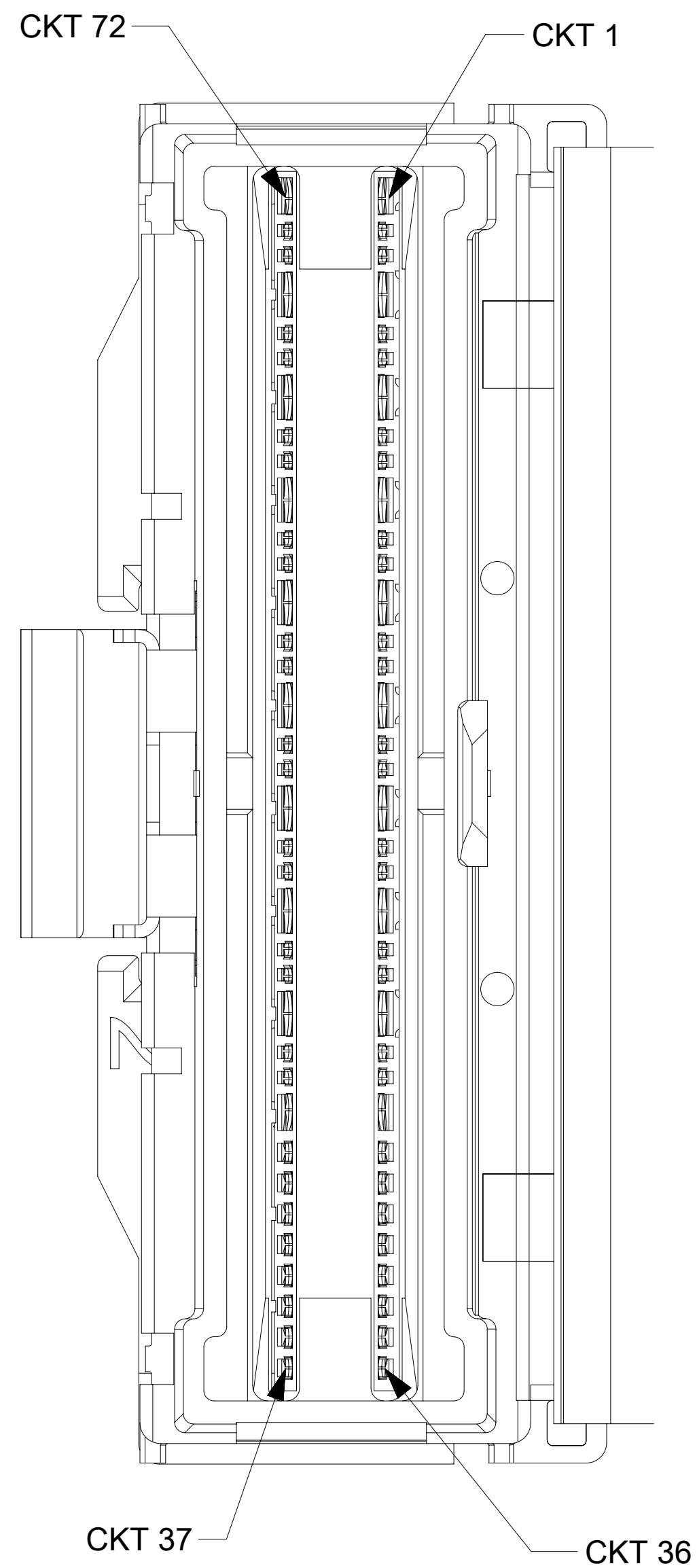
1. GENERAL:
 - 1.1 PRODUCT SPECIFICATION: 2080210001-PS
 - 1.2 TEST SUMMARY: XXXXXXXXXXXX-TS
 - 1.3 APPLICATION SPECIFICATION: 2080210001-AS
 REFERENCE SPECIFICATION FOR ROUTING GUIDELINES 7 MINIMUM BEND RADIUS
 - 1.4 PACKAGING SPECIFICATION: 2167101000pdPK
 - 1.5 COSMETIC SPECIFICATION: PS-45499-002 CLASS B
 - 1.6 GEOMETRIC TOLERANCES: ASME Y14.5 2009
 - 1.7 SOLDERABILITY SPECIFICATION: N/A
 - 1.7 MATES WITH: 2080211000 & 2080211100 - 18DP 16SE (SINGLE ENDED) PLUG
2. DESIGN - MATERIALS:
 - 2.1 HOUSING MATERIAL: LCP, GLASS FILLED, UL94V-2, COLOR: BLACK
 - 2.2 CONTACT MATERIAL: HIGH PERFORMANCE COPPER ALLOY
 - 2.3 CABLE STRAIN RELIEF: THERMOPLASTIC POLYAMIDE, BLACK
 - 2.4 PROTECTIVE COVER: PP, BLUE
 - 2.5 PLATING:
 SELECT GOLD IN CONTACT AREA: 0.76 MICROMETERS MIN OVER NICKEL
 - 2.6 SURFACE FINISH: NO LUBE



THIS DRAWING CONTAINS INFORMATION THAT IS PROPRIETARY TO MOLEX ELECTRONIC TECHNOLOGIES, LLC AND SHOULD NOT BE USED WITHOUT WRITTEN PERMISSION									
DIMENSION UNITS	SCALE	CURRENT REV DESC: NOTE 2.3 WAS "RETAINER: POLYCARBONATE, CLEAR"							
mm	5:1								
GENERAL TOLERANCES (UNLESS SPECIFIED)									
ANGULAR TOL	± °								
4 PLACES	±	EC NO: 690079							
3 PLACES	±	DRWN: TPREMO	2021/12/22						
2 PLACES	± 0.15	CHK'D: MICAB	2022/01/04						
1 PLACE	±	APPR: JGONZALEZ01	2022/01/04						
0 PLACES	±	INITIAL REVISION:							
DRAFT WHERE APPLICABLE MUST REMAIN WITHIN DIMENSIONS		DRWN: TIBARRA	2020/08/03						
THIRD ANGLE PROJECTION		APPR: DMCGOWAN	2020/09/17						
D-DRAWING		SERIES		MATERIAL NUMBER		CUSTOMER		SHEET NUMBER	
D-DRAWING		216710		SEE TABLE		GENERAL MARKET		1 OF 3	

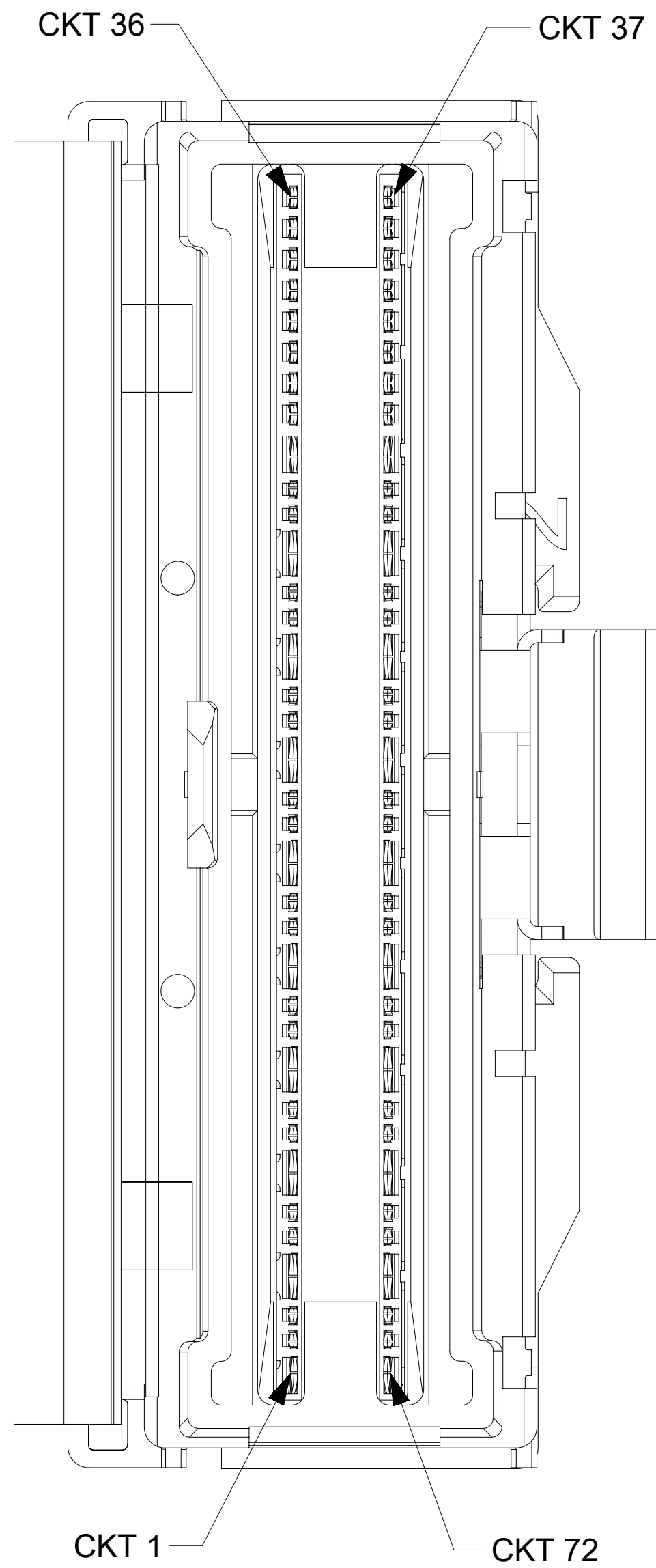
DOCUMENT STATUS	P1	RELEASE DATE	2022/01/04	20:02:49
-----------------	----	--------------	------------	----------

P1

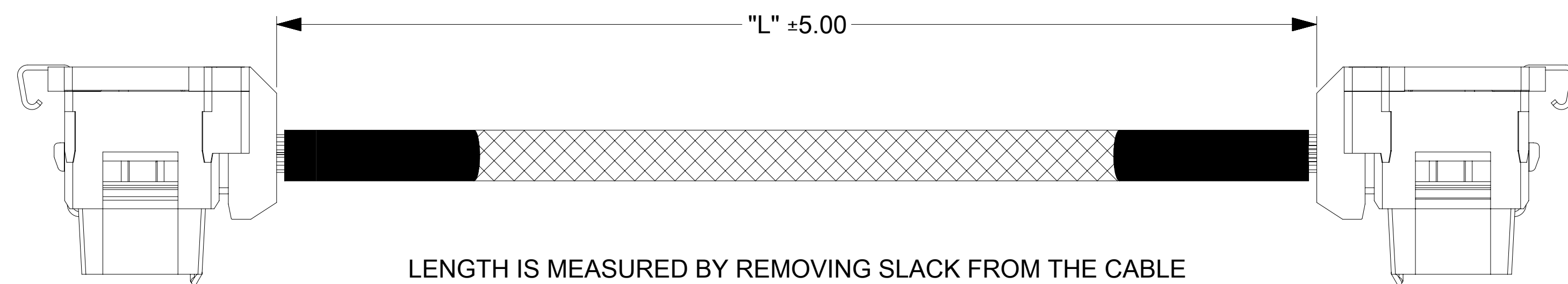


DETAIL B
SCALE 10:1

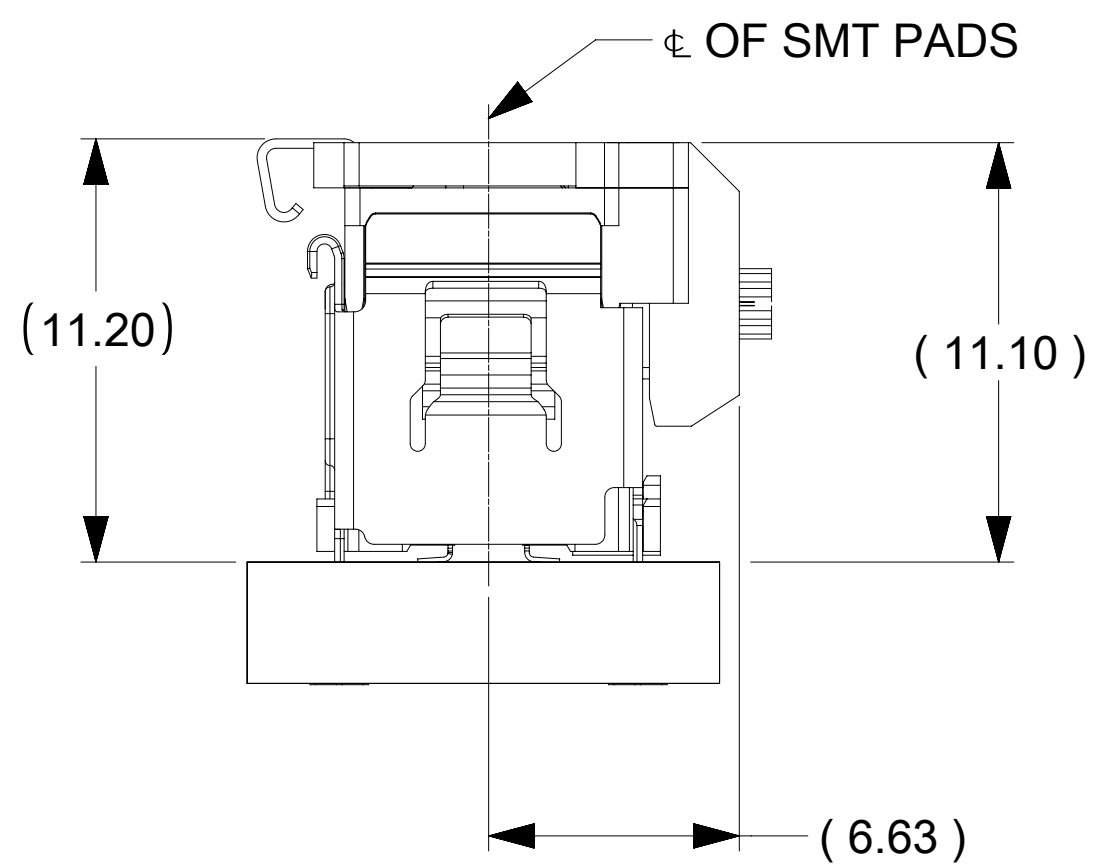
P2



DETAIL C
SCALE 10:1



LENGTH IS MEASURED BY REMOVING SLACK FROM THE CABLE





THIS DRAWING CONTAINS INFORMATION THAT IS PROPRIETARY TO MOLEX ELECTRONIC TECHNOLOGIES, LLC AND SHOULD NOT BE USED WITHOUT WRITTEN PERMISSION												
DIMENSION UNITS	SCALE	CURRENT REV DESC: NOTE 2.3 WAS "RETAINER: POLYCARBONATE, CLEAR"										
mm	1:1	<p>molex</p> <p>NEARSTACK PCIE 18DP & 16SE CABLE ASSY</p> <p>PRODUCT CUSTOMER DRAWING</p>										
GENERAL TOLERANCES (UNLESS SPECIFIED)												
ANGULAR TOL	± °											
4 PLACES	±											
3 PLACES	±											
2 PLACES	± 0.15											
1 PLACE	±	EC NO: 690079	2021/12/22					DOCUMENT NUMBER		DOC TYPE	DOC PART	REVISION
0 PLACES	±	DRWN: TPremo	2022/01/04					2167101000		PSD	000	B1
DRAFT WHERE APPLICABLE MUST REMAIN WITHIN DIMENSIONS		THIRD ANGLE PROJECTION		DRAWING	SERIES	MATERIAL NUMBER	CUSTOMER		SHEET NUMBER			
				D-SIZE	216710	SEE TABLE	GENERAL MARKET		2 OF 3			

18DP & 16SE (SINGLE ENDED) PINOUT

P1		P2		P1		P2	
CKT		CKT		CKT		CKT	
1	GND	45	GND	37	SE	29	SE
2	S	46	S	38	SE	30	SE
3	S	47	S	39	SE	31	SE
4	GND	48	GND	40	SE	32	SE
5	S	49	S	41	SE	33	SE
6	S	50	S	42	SE	34	SE
7	GND	51	GND	43	SE	35	SE
8	S	52	S	44	SE	36	SE
9	S	53	S	45	GND	1	GND
10	GND	54	GND	46	S	2	S
11	S	55	S	47	S	3	S
12	S	56	S	48	GND	4	GND
13	GND	57	GND	49	S	5	S
14	S	58	S	50	S	6	S
15	S	59	S	51	GND	7	GND
16	GND	60	GND	52	S	8	S
17	S	61	S	53	S	9	S
18	S	62	S	54	GND	10	GND
19	GND	63	GND	55	S	11	S
20	S	64	S	56	S	12	S
21	S	65	S	57	GND	13	GND
22	GND	66	GND	58	S	14	S
23	S	67	S	59	S	15	S
24	S	68	S	60	GND	16	GND
25	GND	69	GND	61	S	17	S
26	S	70	S	62	S	18	S
27	S	71	S	63	GND	19	GND
28	GND	72	GND	64	S	20	S
29	SE	37	SE	65	S	21	S
30	SE	38	SE	66	GND	22	GND
31	SE	39	SE	67	S	23	S
32	SE	40	SE	68	S	24	S
33	SE	41	SE	69	GND	25	GND
34	SE	42	SE	70	S	26	S
35	SE	43	SE	71	S	27	S
36	SE	44	SE	72	GND	28	GND

18DP & 16SE CABLE ASSEMBLY	
MATERIAL #	"L"
2167100250	250
2167100300	300
2167100400	400
2167100500	500
2167100600	600
2167100700	700
2167100800	800
2167100900	900
2167101000	1000

THIS DRAWING CONTAINS INFORMATION THAT IS PROPRIETARY TO MOLEX ELECTRONIC TECHNOLOGIES, LLC AND SHOULD NOT BE USED WITHOUT WRITTEN PERMISSION									
DIMENSION UNITS	SCALE	CURRENT REV DESC: NOTE 2.3 WAS "RETAINER: POLYCARBONATE, CLEAR"							
mm	1:1								
GENERAL TOLERANCES (UNLESS SPECIFIED)					EC NO: 690079 DRWN: TPremo 2021/12/22 CHK'D: MICAB 2022/01/04 APPR: JGONZALEZ01 2022/01/04				
ANGULAR TOL	± °								
4 PLACES	±				INITIAL REVISION: DRWN: TIBARRA 2020/08/03 APPR: DMCGOWAN 2020/09/17				
3 PLACES	±								
2 PLACES	± 0.15				DOCUMENT NUMBER: 2167101000 DOC TYPE: PSD DOC PART: 000 REVISION: B1				
1 PLACE	±								
0 PLACES	±				MATERIAL NUMBER: SEE TABLE CUSTOMER: GENERAL MARKET SHEET NUMBER: 3 OF 3				
DRAFT WHERE APPLICABLE MUST REMAIN WITHIN DIMENSIONS		THIRD ANGLE PROJECTION		DRAWING					
				D-SIZE	216710				