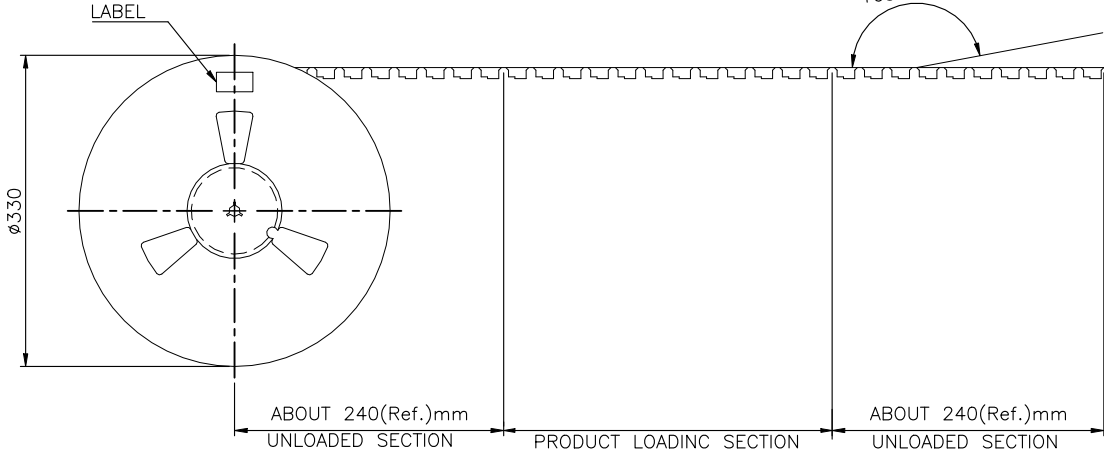
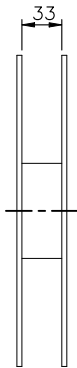


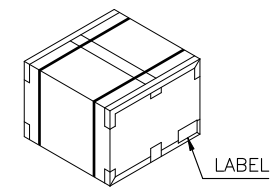
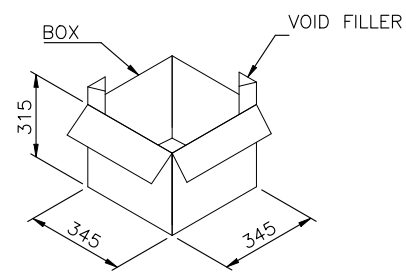
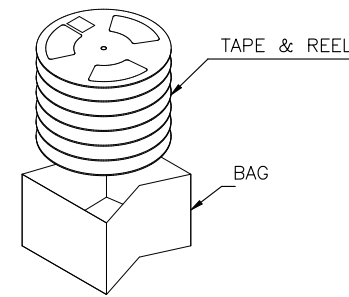
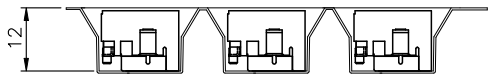
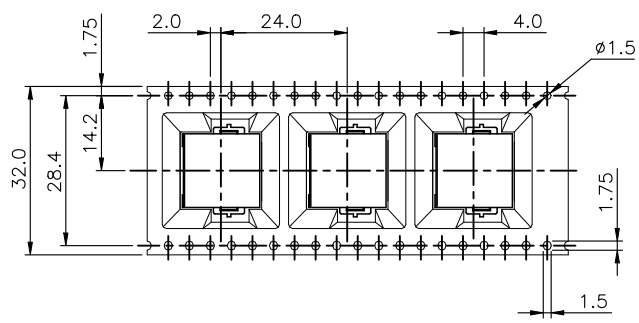
THIS DRAWING IS UNPUBLISHED. RELEASED FOR PUBLICATION AUG, 2006.

© COPYRIGHT - BY TYCO ELECTRONICS CORPORATION. ALL RIGHTS RESERVED.

LOC	DIST	REVISIONS					
DW	-	P	LTR	DESCRIPTION	DATE	DWN	APVD
				SEE SHEET 1.			



USER DIRECTION OF UNREELING →



6.5 Kg	4.5 Kg	230	8	1840 PCS
GROSS WEIGHT (Ref.)	NET WEIGHT (Ref.)	PCS/REEL	REELS /BOX	QUANTITY

THIS DRAWING IS A CONTROLLED DOCUMENT.		DWN			
DIMENSIONS: MM		CHK			
TOLERANCES UNLESS OTHERWISE SPECIFIED:		APVD	NAME		
0 PLC ± -		PRODUCT SPEC	MODULAR JACK, RJ45, SMT TYPE		
1 PLC ± -		APPLICATION SPEC	SIZE	CAGE CODE	DRAWING NO
2 PLC ± -		WEIGHT	A3	-	C=2041126
3 PLC ± -			RESTRICTED TO		
4 PLC ± -			-		
ANGLES ± -			CUSTOMER DRAWING		
FINISH			SCALE	SHEET	REV
			-	2 OF 2	B1