

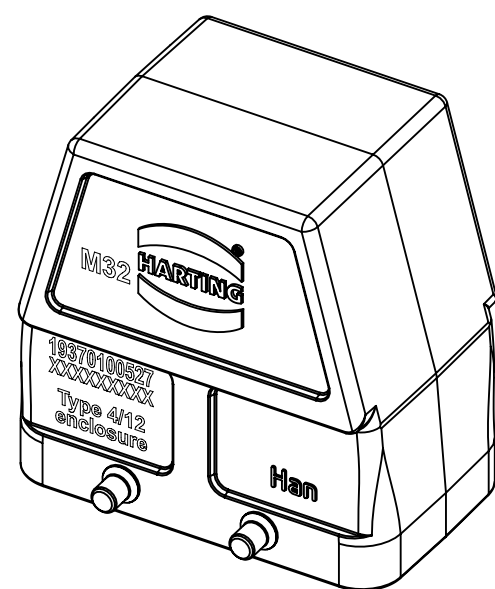
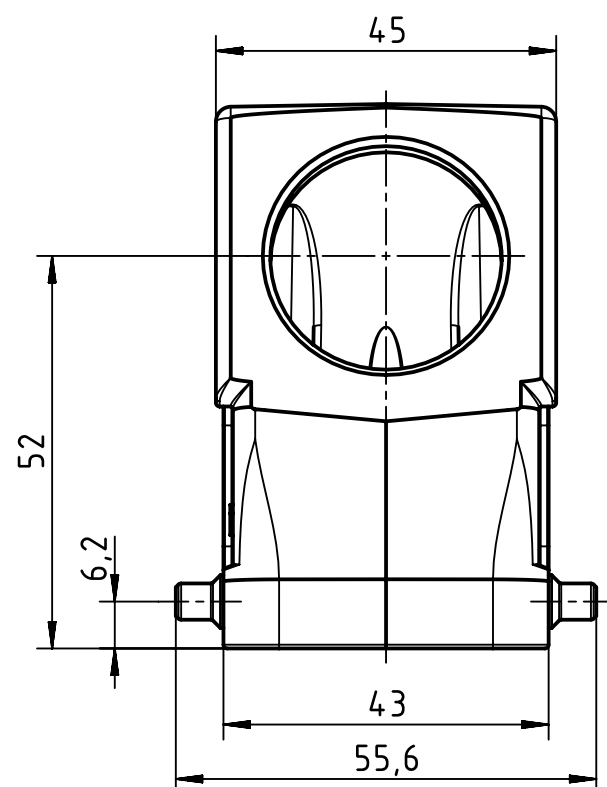
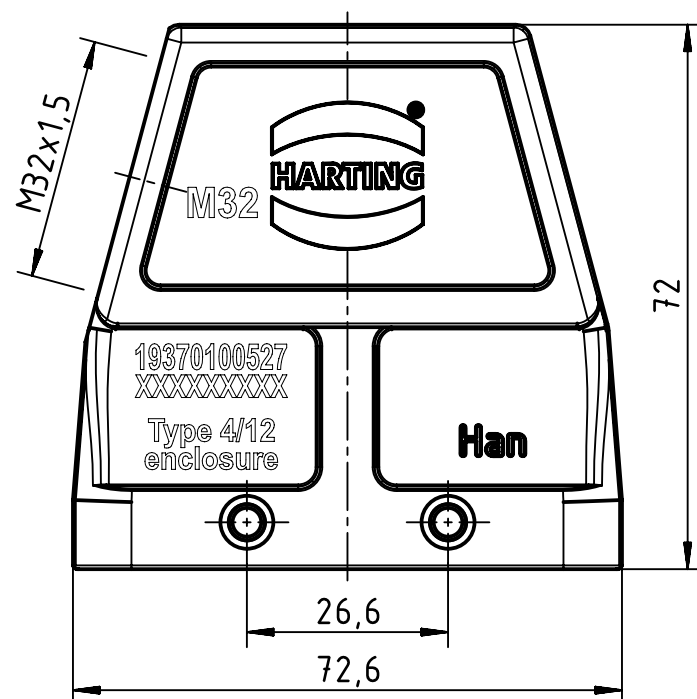
1 2 3 4 5 6

A

B

C

D



	All Dimensions in mm Original Size DIN A4		Scale 1:1	Free size tol.		Ref.		
						Sub.		
	All rights reserved		Created by SPRENB	Inspected by GERB	Standardisation GARSKE	Date 2020-03-04	State Final Release	
	Department EL PD		Title Han 10M-gs-M32				Doc-Key / ECM-Nr. 100229046/UGD/004/D 500000166968	
HARTING Electric GmbH & Co. KG D-32339 Espelkamp			Type TB	Number 19 37 010 0527			Rev. D	Page 1/1