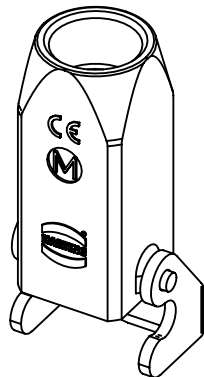
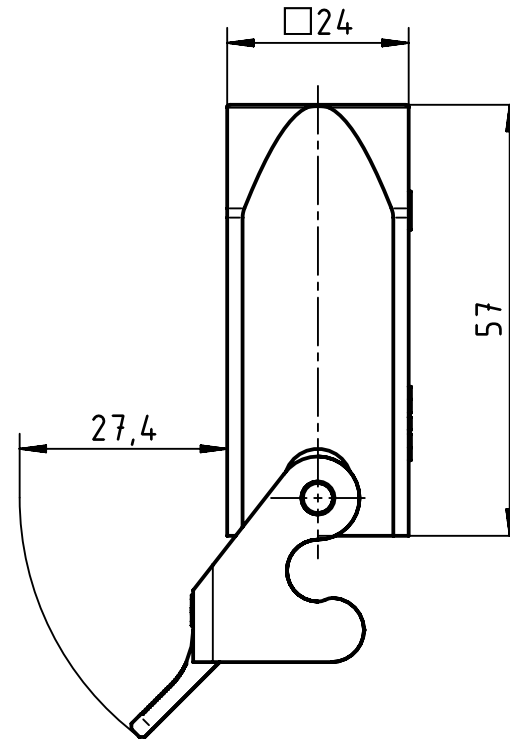
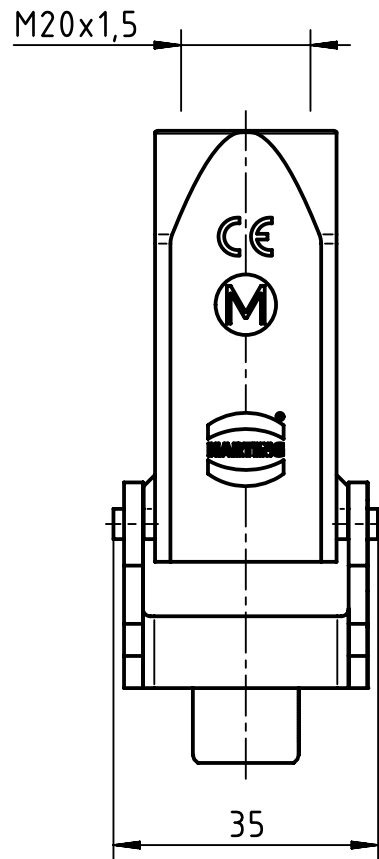



1 2 3 4 5 6

A
B
C
D



	All rights reserved Department EL PD	All Dimensions in mm Original Size DIN A4	Scale 1:1	Free size tol.	Ref. Sub.
		HARTING Electric GmbH & Co. KG D-32339 Espelkamp	Created by 402602	Inspected by PRIESTER	Standardisation RUETERA
Title Han A Hood Coupler Thermoplastic 1 Lever					Doc-Key / ECM-Nr. 100197921/UGD/004/B 500000180373
		Type TB	Number 19 20 003 0727		Rev. B
					Page 1/1