

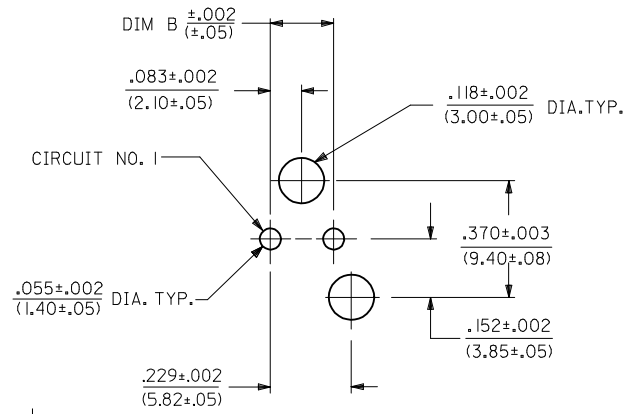
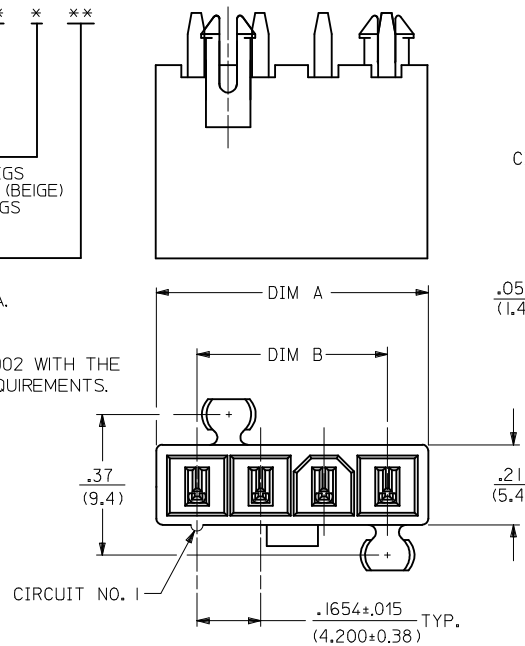
- NOTES:
 1. MATERIALS:
 HOUSING:
 NYLON, UL94 V-2, COLOR: SEE CHARTS, IEC 60335-1,
 5th EDITION GLOW WIRE CAPABLE
 TERMINALS:
 BRASS
 2. TERMINAL PLATING:
 GOLD = .00030/(0.00076) MIN. SELECT GOLD AND
 .000100/(0.00254) MIN. SELECT MATTE TIN OVER
 .000050/(0.00127) MIN. NICKEL OVERALL
 TIN = .000100/(0.00254) MIN. MATTE TIN OVER
 .000050/(0.00127) MIN. NICKEL
 3. PRODUCT SPECIFICATION: PS-5556-001
 4. PACKAGING: TRAY PACKED PER PK-5566-002
 5. PART MATES WITH MINI-FIT JR. RECEPTACLE NO. 46994.
 6. 5 CIRCUIT PARTS HAVE PEG DESIGN B. ALL OTHER CIRCUIT SIZES HAVE PEG DESIGN A.
 7. PART IS NOT DESIGNED FOR CURRENT SHARING.
 8. PARTS ARE NOT DESIGNED TO BE MATED OR UN-MATED WHILE CIRCUITS ARE LIVE.
 9. PART CONFORMS TO CLASS "B" REQUIREMENTS OF COSMETIC SPECIFICATION PS-45499-002 WITH THE
 EXCEPTION OF DISCOLORATION, FLASH AND SINK ON THE HOUSING MEET CLASS "C": REQUIREMENTS.

172647 - * **

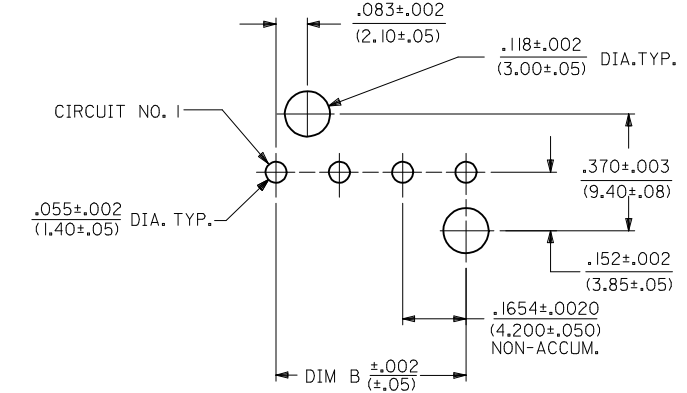
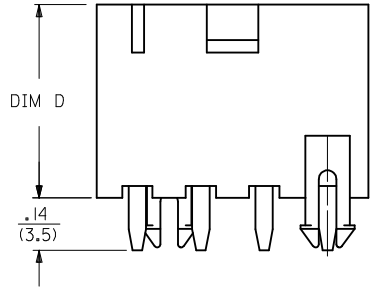
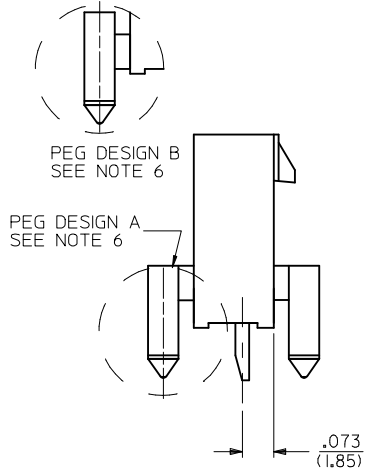
PLATING
 SEE NOTE 2
 0 = TIN
 1 = GOLD

ASSEMBLY TYPE
 0 = SINGLE ROW W/ PEGS
 COLOR = NATURAL (BEIGE)
 1 = SINGLE ROW W/ PEGS
 COLOR = BLACK

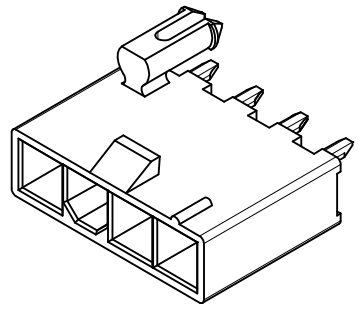
CIRCUIT SIZE



RECOMMENDED HOLE LAYOUT FOR
 .070/(1.78) MAX. THICK P. C. BOARD
 VIEWED FROM COMPONENT SIDE
 2 CIRCUIT PARTS



RECOMMENDED HOLE LAYOUT FOR
 .070/(1.78) MAX. THICK P. C. BOARD
 VIEWED FROM COMPONENT SIDE
 3-6 CIRCUIT PARTS



PART NUMBER	CKT SIZE	PLATING SEE NOTE 2	COLOR
172647-0002	2	TIN	NATURAL (BEIGE)
172647-0003	3		
172647-0004	4		
172647-0005	5		
172647-0006	6		

PART NUMBER	CKT SIZE	PLATING SEE NOTE 2	COLOR
172647-1002	2	GOLD	NATURAL (BEIGE)
172647-1003	3		
172647-1004	4		
172647-1005	5		
172647-1006	6		

PART NUMBER	CKT SIZE	PLATING SEE NOTE 2	COLOR
172647-0102	2	TIN	BLACK
172647-0103	3		
172647-0104	4		
172647-0105	5		
172647-0106	6		

PART NUMBER	CKT SIZE	PLATING SEE NOTE 2	COLOR
172647-1102	2	GOLD	BLACK
172647-1103	3		
172647-1104	4		
172647-1105	5		
172647-1106	6		

CKT SIZE	DIM A	DIM B	DIM D
2	.38 (9.6)	.165 (4.20)	.50 (12.8)
3	.54 (13.8)	.331 (8.40)	.49 (12.5)
4	.71 (18.0)	.496 (12.60)	.50 (12.8)
5	.87 (22.2)	.661 (16.80)	.50 (12.8)
6	1.04 (26.4)	.827 (21.00)	.50 (12.8)

UPDATE PCB DIM. IEC NO: UCP2017-1480 DRW: NGUYEN 2015/12/02 CHKD: JBELL 2015/12/02 APPR: FSMITH 2017/02/01	QUALITY SYMBOLS ▽=0 ▽=0 ▽=0	GENERAL TOLERANCES (UNLESS SPECIFIED) mm INCH 4 PLACES ± --- ± --- 3 PLACES ± --- ± .015 2 PLACES ± 0.38 ± .020 1 PLACE ± 0.50 ± --- 0 PLACE ± --- ± ---	DIMENSION STYLE IN/MM DRAWN BY DATE NGUYEN 2014/04/22 CHECKED BY DATE JBELL 2014/04/22 APPROVED BY DATE FSMITH 2014/05/16	SCALE 4:1 DESIGN UNITS METRIC THIRD ANGLE PROJECTION	MINI-FIT VERT HDR ASSY W/ PEGS SINGLE ROW molex	SHEET NO. 1 OF 1
		ANGULAR ±1/2° DRAFT WHERE APPLICABLE MUST REMAIN WITHIN DIMENSIONS	MATERIAL NO. SEE CHART	DOCUMENT NO. SD-172647-0000		

THIS DRAWING CONTAINS INFORMATION THAT IS PROPRIETARY TO MOLEX INCORPORATED AND SHOULD NOT BE USED WITHOUT WRITTEN PERMISSION

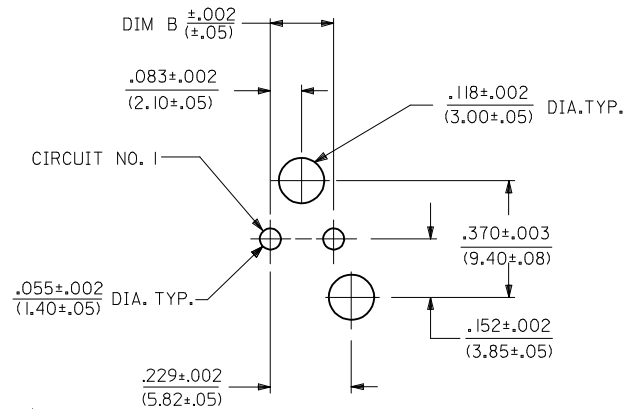
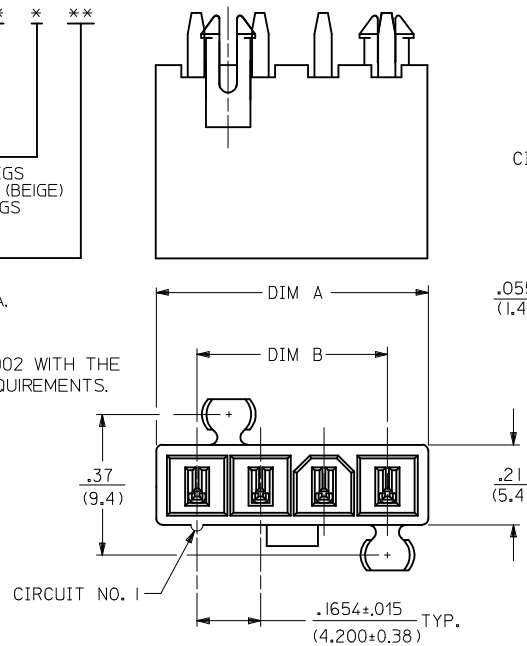
- NOTES:
 1. MATERIALS:
 HOUSING:
 NYLON, UL94 V-2, COLOR: SEE CHARTS, IEC 60335-1,
 5th EDITION GLOW WIRE CAPABLE
 TERMINALS:
 BRASS
 2. TERMINAL PLATING:
 GOLD = .000030/(0.00076) MIN. SELECT GOLD AND
 .000100/(0.00254) MIN. SELECT MATTE TIN OVER
 .000050/(0.00127) MIN. NICKEL OVERALL
 TIN = .000100/(0.00254) MIN. MATTE TIN OVER
 .000050/(0.00127) MIN. NICKEL
 3. PRODUCT SPECIFICATION: PS-5556-001
 4. PACKAGING: TRAY PACKED PER PK-5566-002
 5. PART MATES WITH MINI-FIT JR. RECEPTACLE NO. 46994.
 6. 5 CIRCUIT PARTS HAVE PEG DESIGN B. ALL OTHER CIRCUIT SIZES HAVE PEG DESIGN A.
 7. PART IS NOT DESIGNED FOR CURRENT SHARING.
 8. PARTS ARE NOT DESIGNED TO BE MATED OR UN-MATED WHILE CIRCUITS ARE LIVE.
 9. PART CONFORMS TO CLASS "B" REQUIREMENTS OF COSMETIC SPECIFICATION PS-45499-002 WITH THE
 EXCEPTION OF DISCOLORATION, FLASH AND SINK ON THE HOUSING MEET CLASS "C" REQUIREMENTS.

172647 - * **

PLATING
 SEE NOTE 2
 0 = TIN
 1 = GOLD

ASSEMBLY TYPE
 0 = SINGLE ROW W/ PEGS
 COLOR = NATURAL (BEIGE)
 1 = SINGLE ROW W/ PEGS
 COLOR = BLACK

CIRCUIT SIZE



RECOMMENDED HOLE LAYOUT FOR
 .070/(1.78) MAX. THICK P. C. BOARD
 VIEWED FROM COMPONENT SIDE
 2 CIRCUIT PARTS

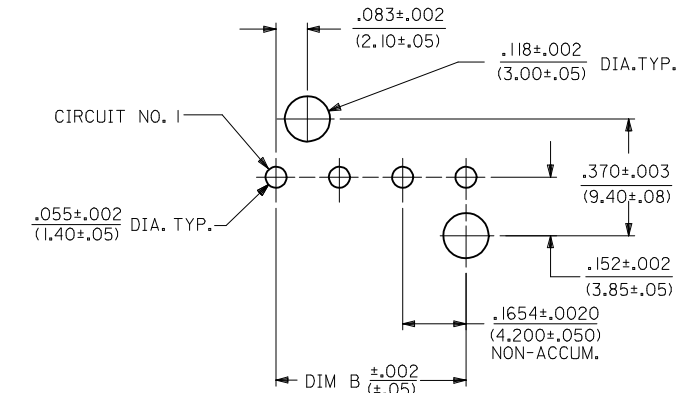
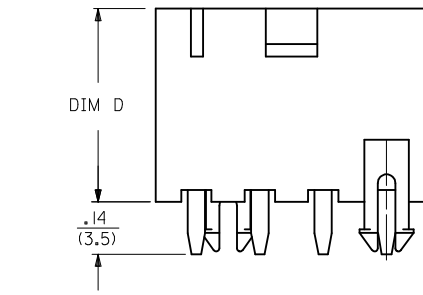
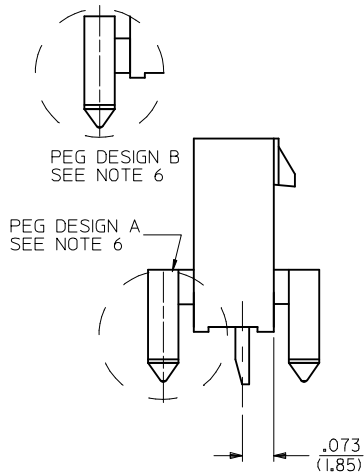
PART NUMBER	CKT SIZE	PLATING SEE NOTE 2	COLOR
172647-0002	2	TIN	NATURAL (BEIGE)
172647-0003	3		
172647-0004	4		
172647-0005	5		
172647-0006	6		

PART NUMBER	CKT SIZE	PLATING SEE NOTE 2	COLOR
172647-1002	2	GOLD	NATURAL (BEIGE)
172647-1003	3		
172647-1004	4		
172647-1005	5		
172647-1006	6		

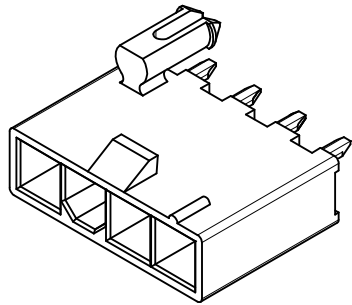
PART NUMBER	CKT SIZE	PLATING SEE NOTE 2	COLOR
172647-0102	2	TIN	BLACK
172647-0103	3		
172647-0104	4		
172647-0105	5		
172647-0106	6		

PART NUMBER	CKT SIZE	PLATING SEE NOTE 2	COLOR
172647-1102	2	GOLD	BLACK
172647-1103	3		
172647-1104	4		
172647-1105	5		
172647-1106	6		

CKT SIZE	DIM A	DIM B	DIM D
2	.38 (9.6)	.165 (4.20)	.50 (12.8)
3	.54 (13.8)	.331 (8.40)	.49 (12.5)
4	.71 (18.0)	.496 (12.60)	.50 (12.8)
5	.87 (22.2)	.661 (16.80)	.50 (12.8)
6	1.04 (26.4)	.827 (21.00)	.50 (12.8)



RECOMMENDED HOLE LAYOUT FOR
 .070/(1.78) MAX. THICK P. C. BOARD
 VIEWED FROM COMPONENT SIDE
 3-6 CIRCUIT PARTS



REV	DESCRIPTION
A2	UPDATE PCB DIM. IEC NO: UCP2017-1480 DRAWN: NGUYEN 2015/12/02 CHKD: JBELL 2015/12/02 APPR: FSMITH 2017/02/01

QUALITY SYMBOLS	
▽=0	
▽=0	
▽=0	

GENERAL TOLERANCES (UNLESS SPECIFIED)	
	mm INCH
4 PLACES ±	±.002
3 PLACES ±	±.015
2 PLACES ±	±.020
1 PLACE ±	±0.50
0 PLACE ±	±.002
ANGULAR ±1/2°	
DRAFT WHERE APPLICABLE MUST REMAIN WITHIN DIMENSIONS	

DIMENSION STYLE		SCALE	DESIGN UNITS	THIRD ANGLE PROJECTION
IN/MM		4:1	METRIC	⊙
DRAWN BY NGUYEN		DATE 2014/04/22	TITLE	
CHECKED BY JBELL		DATE 2014/04/22	MINI-FIT VERT HDR ASSY W/ PEGS SINGLE ROW	
APPROVED BY FSMITH		DATE 2014/05/16	molex	
MATERIAL NO. SEE CHART		DOCUMENT NO. SD-172647-0000	SHEET NO. 1 OF 1	
THIS DRAWING CONTAINS INFORMATION THAT IS PROPRIETARY TO MOLEX INCORPORATED AND SHOULD NOT BE USED WITHOUT WRITTEN PERMISSION				