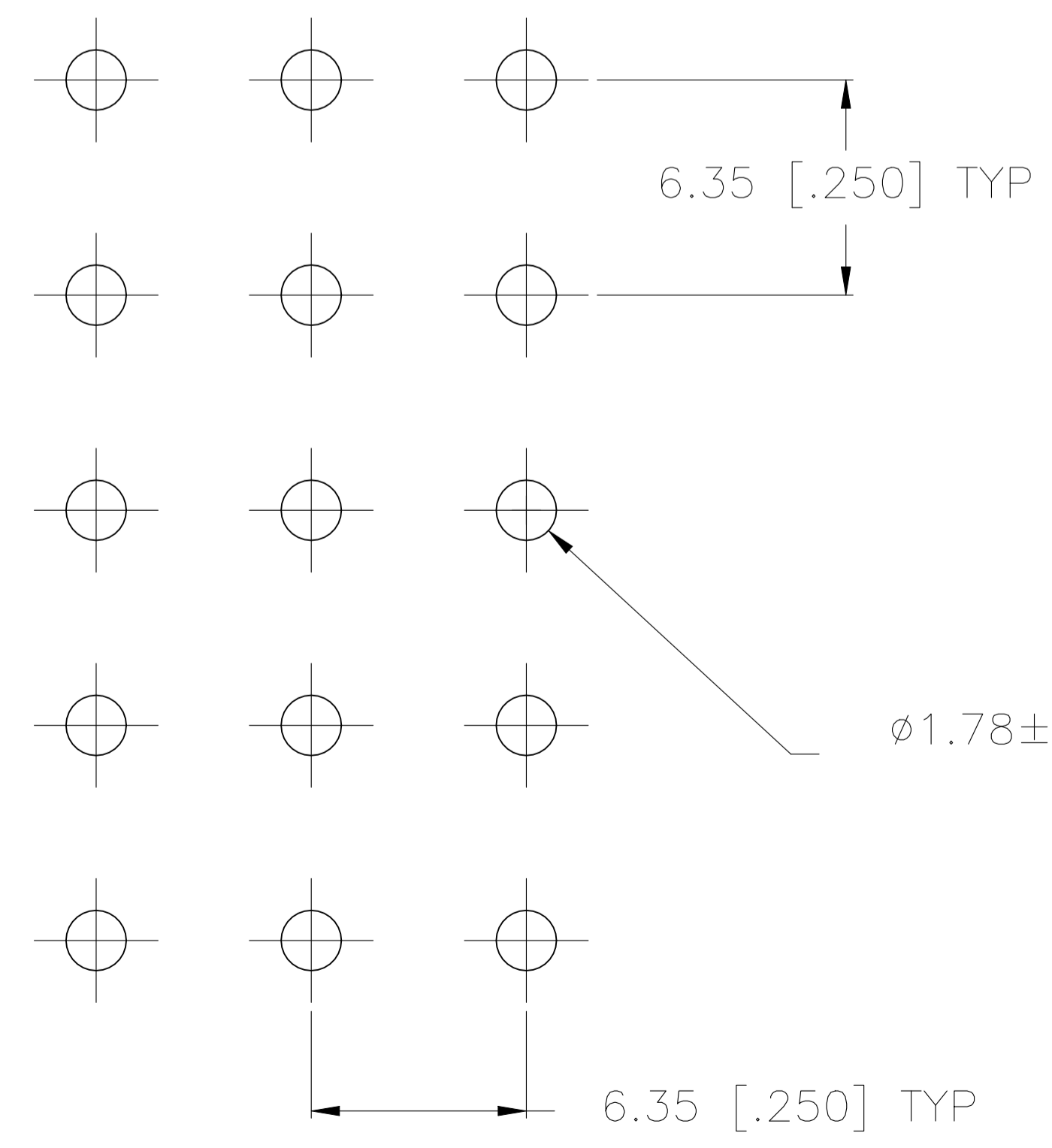
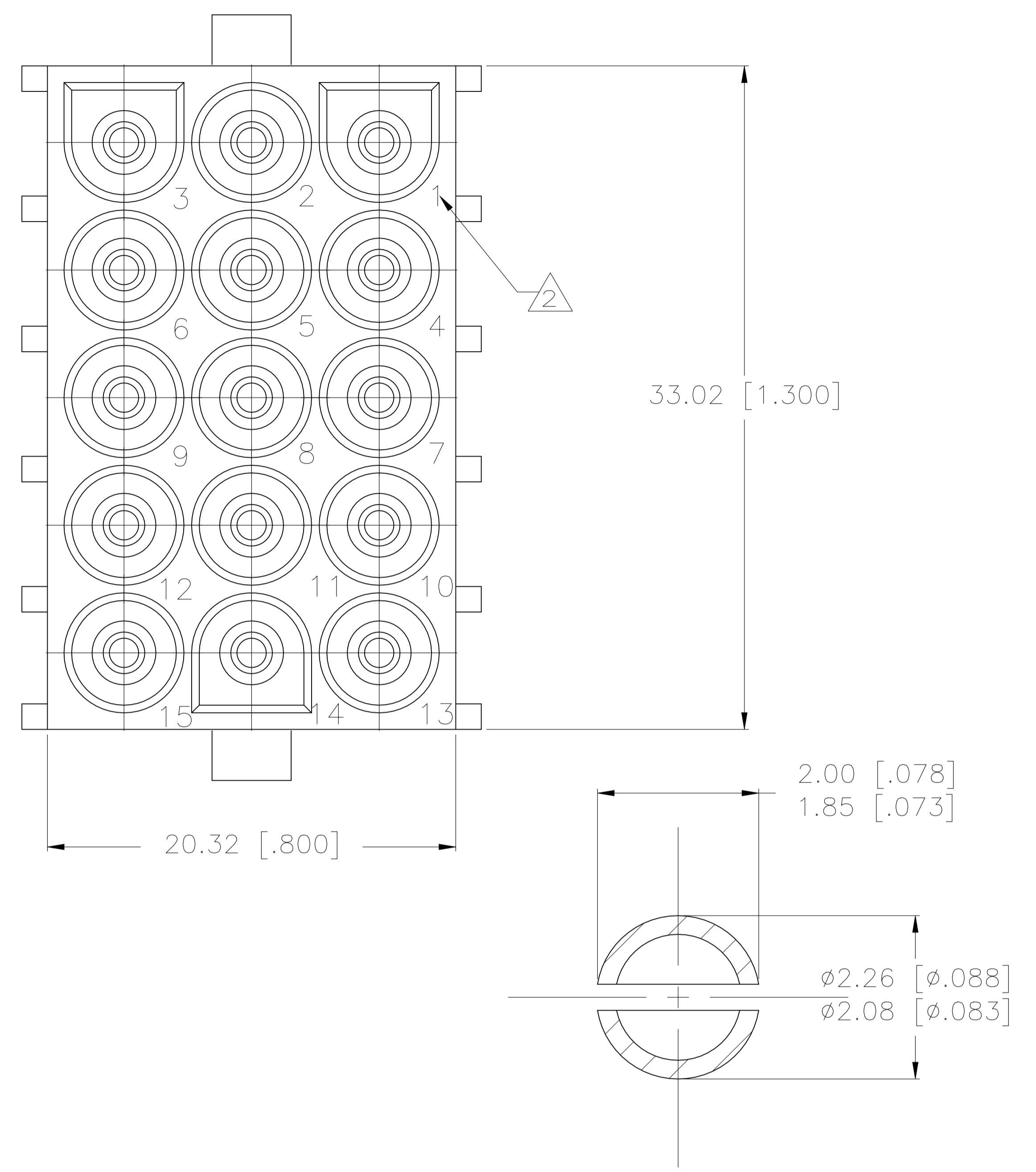
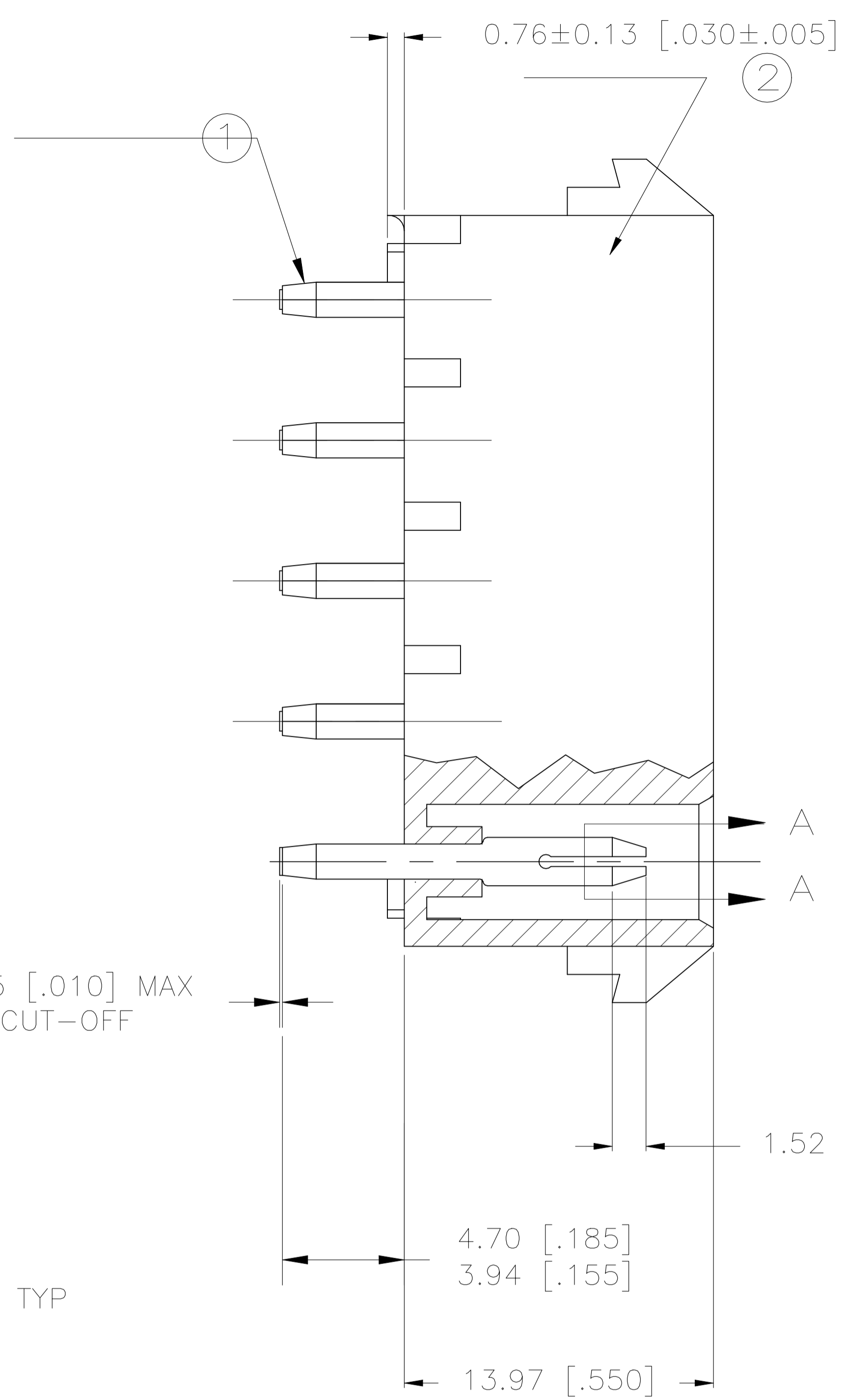
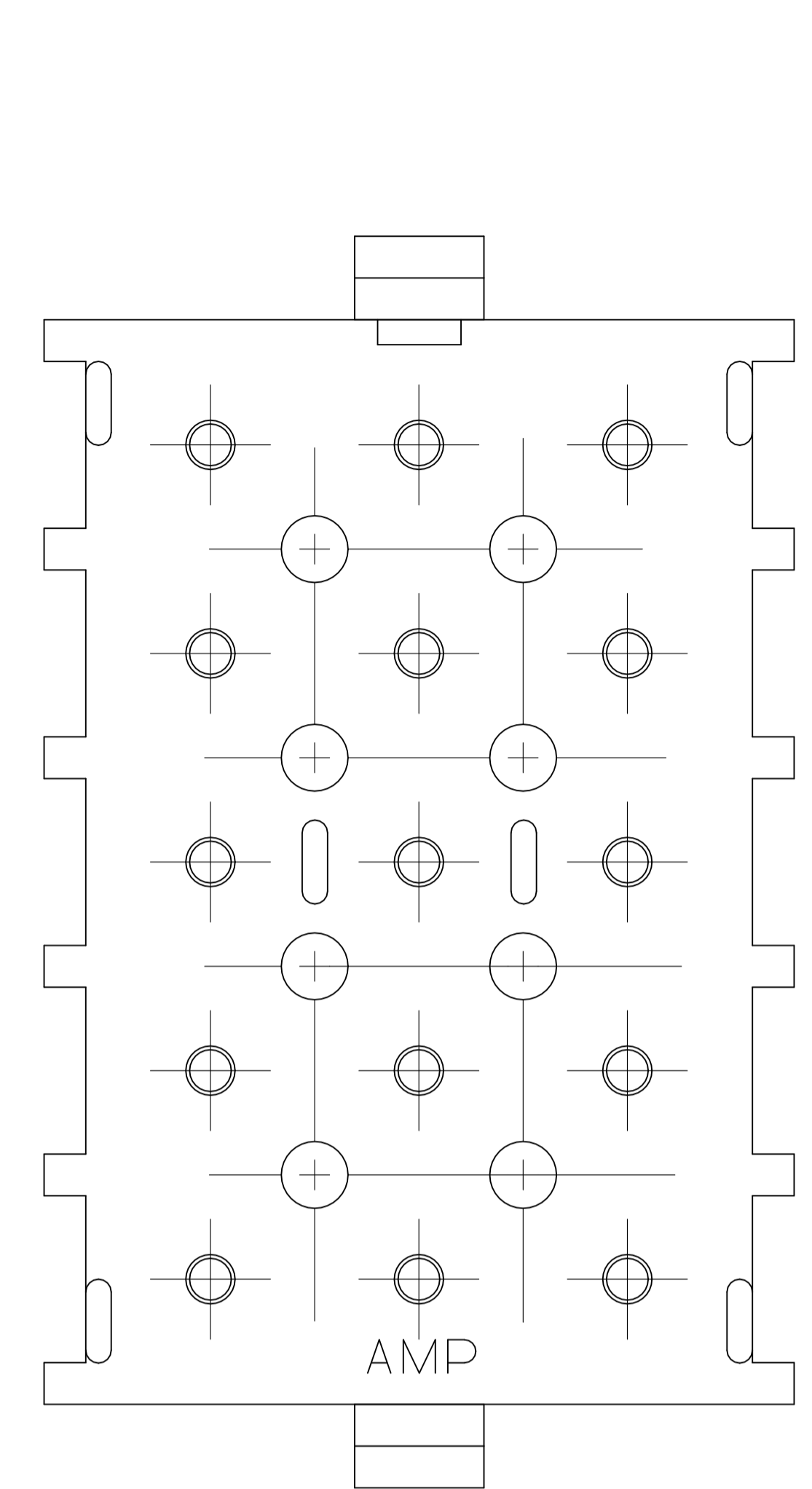


REVISIONS				
REV	DESCRIPTION	DATE	OWN	APVD
A	REVISED PER ECR-21-118133	22OCT2021	SS	VS



- PARTS MUST COMPLY WITH AMP SOLDERABILITY SPEC 109-11-3.
- CIRCUIT IDENTIFICATION CHARACTERS ARE ADJACENT TO THE INDICATED CAVITIES, BUT LOCATION AND ORIENTATION MAY DIFFER FROM PRINT.
- DIMENSIONS SHOWN REPRESENT PRODUCT IN DRY CONDITION. ADDITIONAL 2% GROWTH DUE TO END USE LOCATION MOISTURE ABSORPTION MAY OCCUR AND SHOULD BE ACCOUNTED FOR.

SECTION A-A
SCALE 12:1

QTY	DESCRIPTION	PART NO.
1	HOUSING-NYLON, 94V-0 WHITE (2)	
15	PIN HEADER-PH BRZ, PRE-TIN (1)	1586170-1

THIS DRAWING IS A CONTROLLED DOCUMENT.		DWN: S. HOOVER 19-NOV-2003 DSK: S. RIDGILL 19-NOV-2003 APVD: S. RIDGILL 19-NOV-2003 PRODUCT SPEC		STE TE Connectivity	
DIMENSIONS: mm [INCHES] TOLERANCES UNLESS OTHERWISE SPECIFIED: 0 PLC ± 1 PLC ± 2 PLC ± 3 PLC ± 0.13 [.005] 4 PLC ± ANGLES FINISH #		NAME: ASSEMBLY, HEADER, NO DRAIN HOLES, 15 CIRCUIT, UNIVERSAL MATE-N-LOK™ APPLICATION SPEC:		SIZE: A1 CAGE CODE: 00779 DRAWING NO: 1586170 RESTRICTED TO:	
MATERIAL: SEE CHART		WEIGHT: 0.000000		CUSTOMER DRAWING	
		SCALE: 6:1		SHEET 1 OF 1 REV A	

METRIC

RECOMMENDED LAYOUT FOR 1.58 [.062] THICK PC BOARD