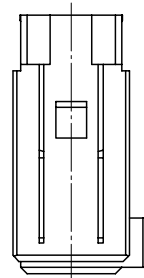
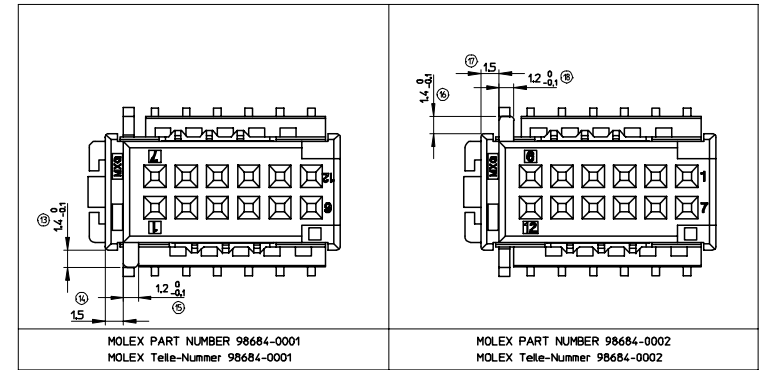
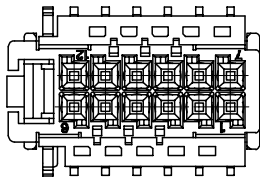


DELIVERY POSITION
Lieferposition



LOCKED POSITION
endverrastet



NOTES

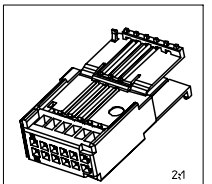
Bemerkungen

- 1- PARTS FITS INTO MASTER RECEPTACLE
ASSEMBLY P/N 98681-1001
Modul paßt in Most Aufnahmen
P/N 98681-1001
- 2- WEIGHT IS CALCULATED ONLY
Gewicht ist nur errechnet
- 3- DRAFT ANGLE INCLUDED IN THE TOLERANCE
AREA IF NOT DESCRIBED OTHER WISE
Entformungschrägen innerhalb des
Toleranzbereiches wenn nicht anders
beschrieben
- 4- NO SHARP OUTSIDE EDGES PERMITTED.
OUTSIDE EDGES HAVE TO BE ROUNDED OR
CHAMFERED
Keine scharfen Aussenkanten zulässig.
Außenkanten verrundet oder angefast.
- 5- RADII R0.3 WHEN NOT OTHERWISE
SPECIFIED
Radien R0.3 wenn nicht anders
spezifiziert
- 6- PART ARE SUITABLE FOR FEMALE TERMINAL
ACCORDING TO MOLEX-DRAWING NO.
SD-98658-004, 0.635 MOX.
WIRE SIZE MOLEX P/N
0.22 - 0.5mm2 98658 - 1213
0.22 - 0.6mm2 98658 - 1211
0.75mm2 98658 - 1212

Passend zu Buchsen Kontakt laut
Zeichnung Molex SD-98658-004, 0.635 MOX,
Beschreibung MOLEX Teile-Nr.,
0.22 - 0.5mm2 98658 - 1213
0.22 - 0.6mm2 98658 - 1211
0.75mm2 98658 - 1212
- 7- PARTS ARE SUITABLE FOR MOS FEMALE TERMINAL
DESCRIPTION TYCO P/N
MOS 0.14 - 0.22mm2 Sn 0-1355 717-1
MOS 0.2 - 0.5 mm2 Sn 0-928 999-1
MOS 0.75mm2 Sn 0-963 715-1

Passend zu MOS Buchsen Kontakt
Beschreibung TYCO Teile-Nr.
MOS 0.14 - 0.22mm2 Sn 0-1355 717-1
MOS 0.2 - 0.5 mm2 Sn 0-928 999-1
MOS 0.75mm2 Sn 0-963 715-1
- 8- MOLEX LOGO
- 9- TEXT HEIGHT FOR CIRCUIT
NUMBERING 0.8mm
Schriftöhe für Stromkreis-
nummerierung 0,8mm
- 10- CAVITY NO.
Nest Nr.
- 11- AREA FOR TOOLING-REVISION.
Feld für Werkzeug-Revision
- 12- LAST INSPECTION NUMBER: 18
Letzte Massidentifikationsnummer: 18

MOLEX P/N MOLEX Teile-Nr.	MATERIAL/ Werkstoff	COLOUR/ Farbe	DESCRIPTION/ Beschreibung	WEIGHT/ Gewicht
98684-0001	PBT GF0%	BLACK/ schwarz	MOST MASTER 12 CKT 0.64 MOX MODULE CODE A	2.42g
98684-0002	PBT GF0%	NATURAL/ natur	MOST MASTER 12 CKT 0.64 MOX MODULE CODE B	2.39g



EC No. C2006-0491 2006/03/27 2006/03/27 2006/03/27 DRINKELUTZ CHEKOSFARAS APPR-JHDIER	QUALITY SYMBOLS 0 10	GENERAL TOLERANCES (UNLESS SPECIFIED)		DIMENSION STYLE MM ONLY		SCALE 5:1	DESIGN UNITS METRIC	FIRST ANGLE PROJECTION
		4 PLACES ± --- ± --- 3 PLACES ± --- ± --- 2 PLACES ± 0.10 ± --- 1 PLACE ± 0.2 ± ---	INCH --- --- --- ---	DRAWN BY MMH DATE 2002/09/20	CHECKED BY SFARKAS DATE 2002/10/17	APPROVED BY DATE	TITLE MOST RCPT CONN MOX 0.64 12CKT	MOLEX MOLEX INCORPORATED
DRAFT WHERE APPLICABLE MUST REMAIN WITHIN DIMENSIONS		SEE TABLE		THIS DRAWING CONTAINS INFORMATION THAT IS PROPRIETARY TO MOLEX INCORPORATED AND SHOULD NOT BE USED WITHOUT WRITTEN PERMISSION				