

MATERIAL NUMBER	# OF COLUMNS	# OF DIFF PAIR	DIM "A" MAX	DIM "B"	PTH \varnothing
76500-*8**	8	32	22.80	13.30	0.46±0.05
76500-*1**	10	40	26.60	17.10	0.46±0.05
76500-*6**	16	64	38.00	28.50	0.46±0.05
76500-*8**	8	32	22.80	13.30	0.39±0.05
76500-*1**	10	40	26.60	17.10	0.39±0.05
76500-*6**	16	64	38.00	28.50	0.39±0.05

76500-****

MODULE TYPE
 5 = RIGHT GUIDED, LEAD-FREE
 9 = RIGHT GUIDED, LEAD-FREE W/ ENDWALL

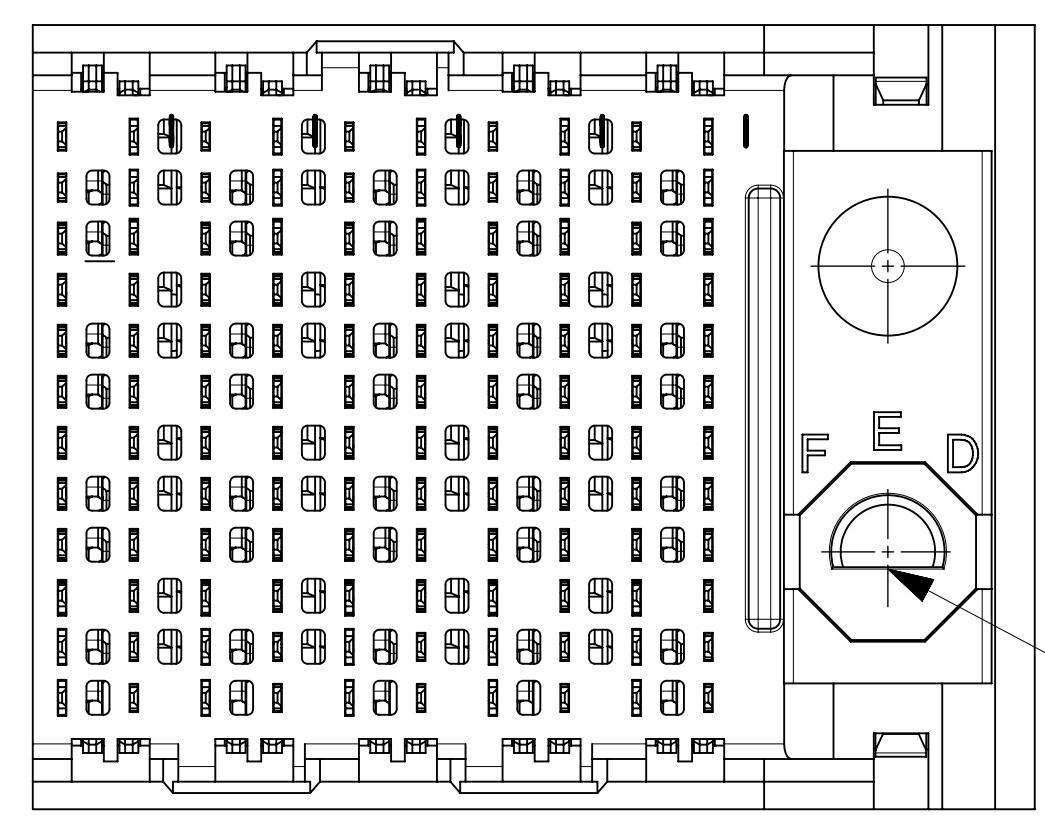
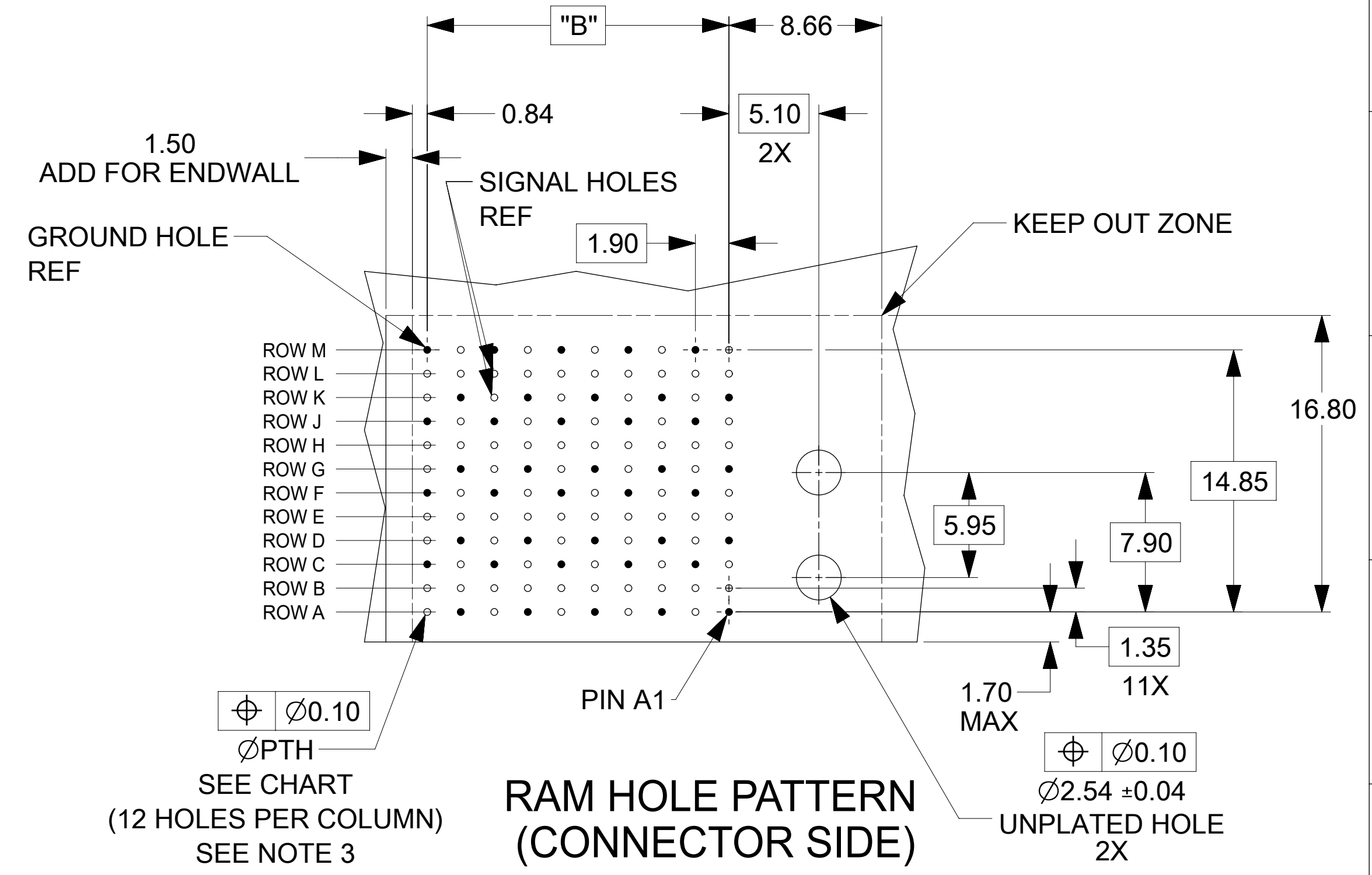
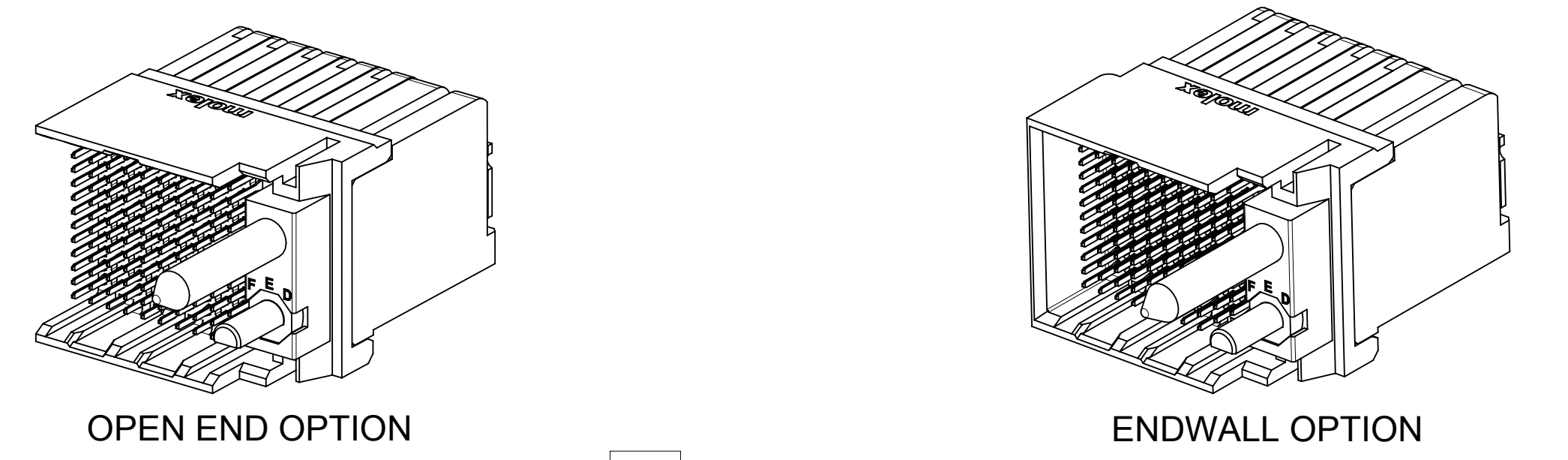
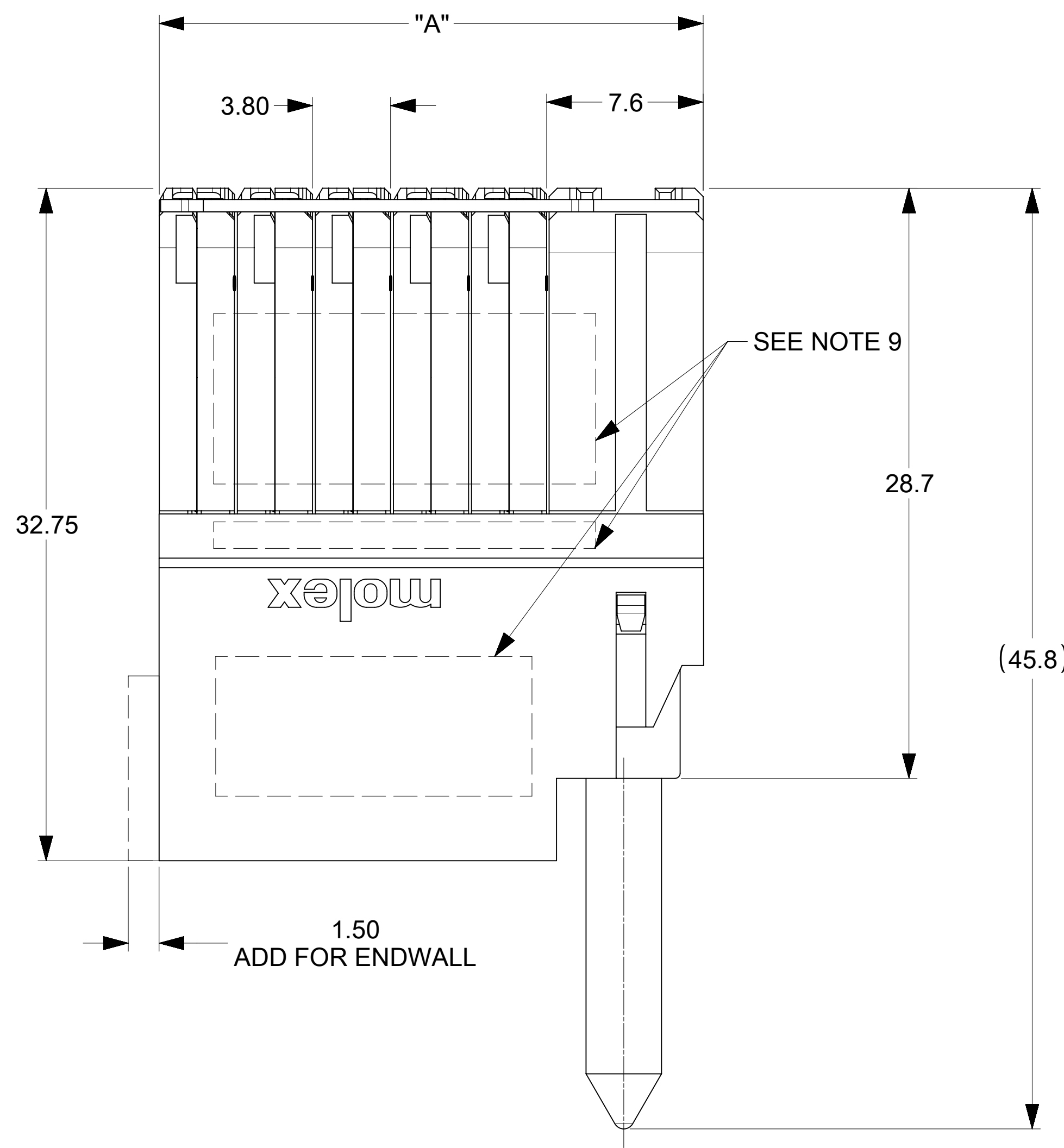
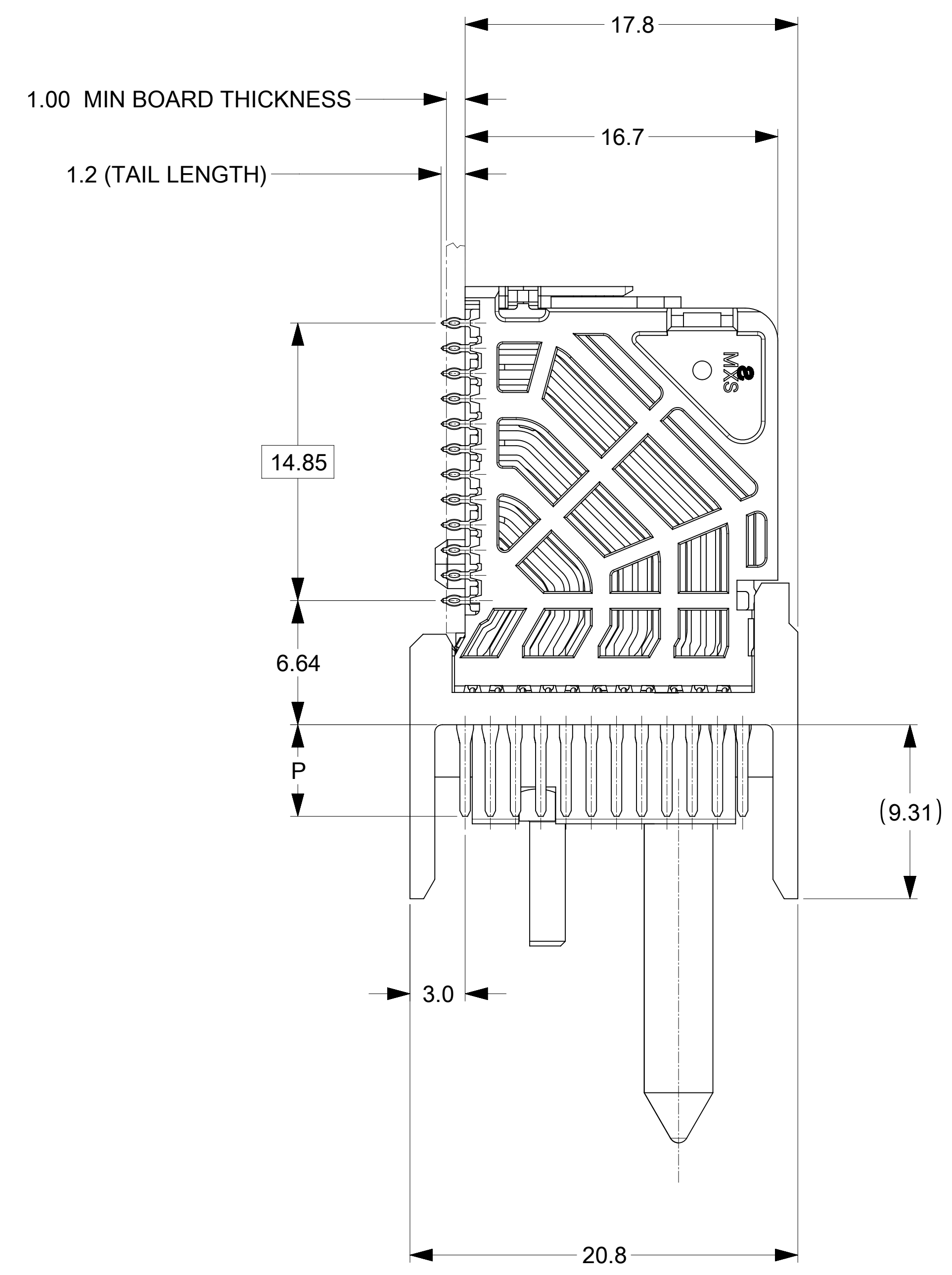
PIN LENGTH (P)
 4 = 4.90 (0.46 PTH)
 5 = 5.50 (0.46 PTH)
 7 = 4.90 (0.39 PTH)
 8 = 5.50 (0.39 PTH)

OF COLUMNS
 1 = 10 COLUMNS
 6 = 16 COLUMNS
 8 = 8 COLUMNS

KEY ORIENTATION
 0 = NO KEY
 1 = A 5 = E
 2 = B 6 = F
 3 = C 7 = G
 4 = D 8 = H

NOTES:

- MATERIALS: HOUSING - LIQUID CRYSTAL POLYMER (LCP), GLASS-FILLED, UL94V-0
 TERMINALS - HIGH PERFORMANCE COPPER ALLOY
- FINISH: 30 μ m SELECTIVE GOLD IN CONTACT AREA, SELECTIVE TIN ON PCB TAILS, NICKEL OVERALL.
- REFER TO MOLEX PRODUCT SPECIFICATION PS-76060-999 FOR PERFORMANCE SPECIFICATIONS AND ADDITIONAL PCB INFORMATION.
- EACH SIGNAL WAFER CONTAINS 2 COLUMNS OF TERMINALS.
- PRODUCT IS PACKAGED PER PK-70873-041.
- THIS PART CONFORMS TO CLASS B REQUIREMENTS OF COSMETIC SPEC PS-45499-002.7. REFER TO MOLEX SALES DRAWING SD-76160-002 FOR THE MATING RECEPTACLES.
- REFER TO MOLEX PCB ROUTING GUIDE AS-76060-990 FOR ANTIPAD AND ROUTING RECOMMENDATIONS.
- WHEN USING MOLEX SUPPLIED #2-32 SCREW 73726-0000 (9.50mm ±0.38 THREADABLE SCREW LENGTH), THE MAXIMUM BOARD THICKNESS IS 4.4mm.
- GUIDE RIGHT RAM MATES WITH A GUIDE LEFT DAUGHTERCARD.
- MARKING: LOCATED APPROXIMATELY AS SHOWN. PART NUMBER AND DATE CODE.



KEY SHOWN IN POSITION A

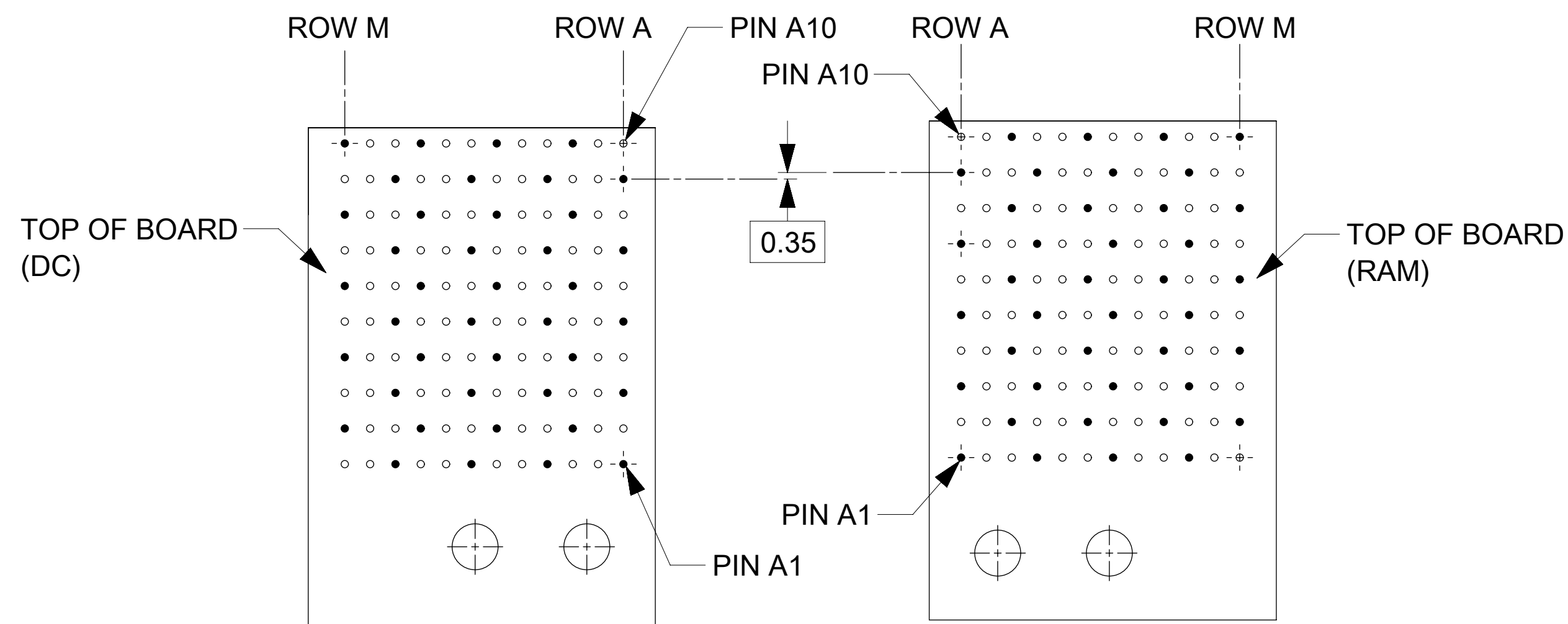
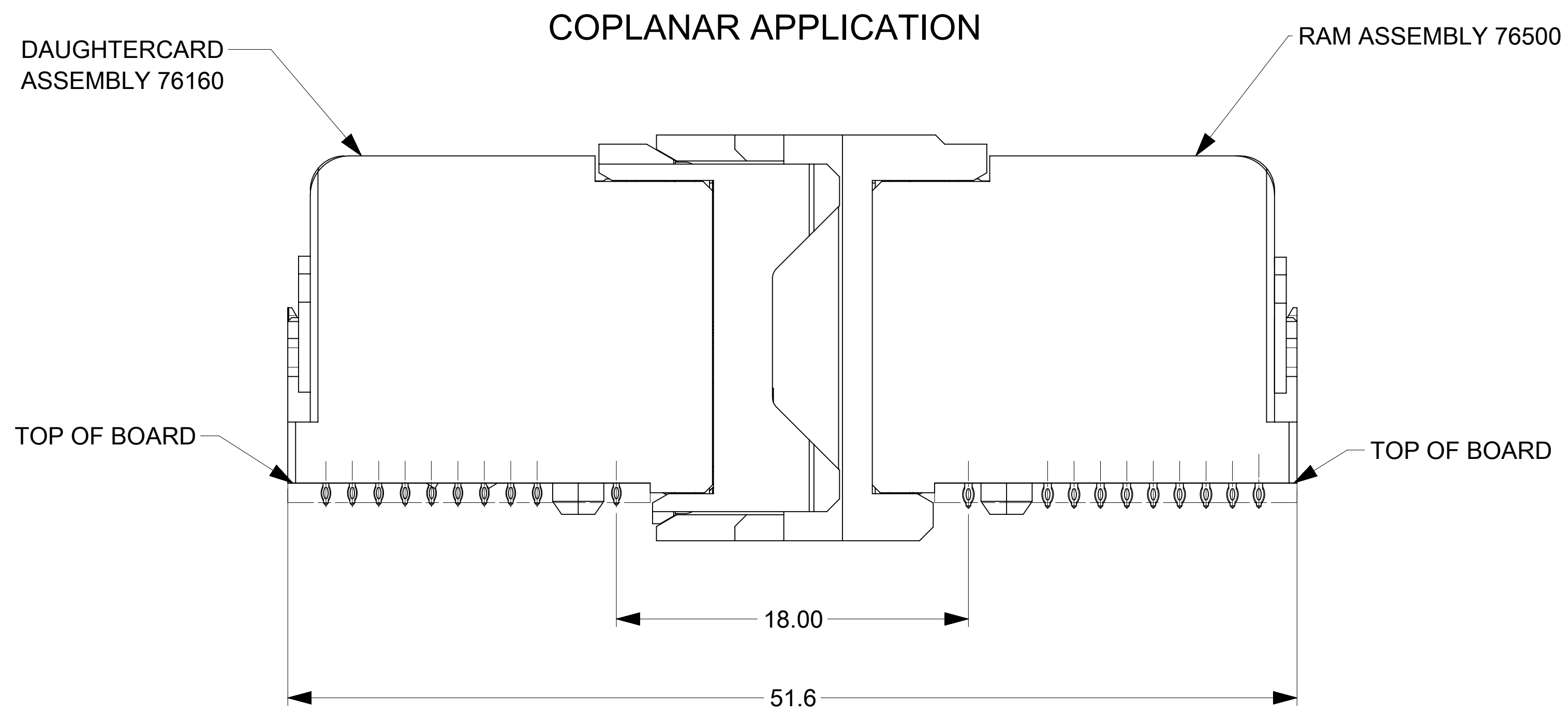
THIS DRAWING CONTAINS INFORMATION THAT IS PROPRIETARY TO MOLEX ELECTRONIC TECHNOLOGIES, LLC AND SHOULD NOT BE USED WITHOUT WRITTEN PERMISSION

DIMENSION UNITS: mm	SCALE: NTS	CURRENT REV DESC: REMASTERED TO NX	
GENERAL TOLERANCES (UNLESS SPECIFIED)		EC NO: 705090	
ANGULAR TOL: ± 0.5°		DRWN: DYARAS	2021/12/13
4 PLACES: ±		CHK'D: YOGEEB	2022/02/17
3 PLACES: ±		APPR: LZENG	2022/05/13
2 PLACES: ± 0.13		INITIAL REVISION:	
1 PLACE: ± 0.25		DRWN: JQUILES	2009/01/12
0 PLACES: ±		APPR: JLAURX	2009/01/13
DRAFT WHERE APPLICABLE MUST REMAIN WITHIN DIMENSIONS	THIRD ANGLE PROJECTION	DRAWING: D-SIZE	SERIES: 76500
		MATERIAL NUMBER: SEE TABLE	CUSTOMER: GENERAL MARKET
		SHEET NUMBER: 1 OF 2	

IMPACT 4 PAIR RAM
 GUIDE RIGHT SIGNAL MODULE SALES DWG

PRODUCT CUSTOMER DRAWING

DOCUMENT NUMBER: SD-76500-004
 DOC TYPE: PSD
 DOC PART: 001
 REVISION: F4



COPLANAR MATED SIGNAL PATHS

DC PIN A10-----RAM PIN A10

|

|

DC PIN A1-----RAM PIN A1

THIS DRAWING CONTAINS INFORMATION THAT IS PROPRIETARY TO MOLEX ELECTRONIC TECHNOLOGIES, LLC AND SHOULD NOT BE USED WITHOUT WRITTEN PERMISSION									
DIMENSION UNITS		SCALE		CURRENT REV DESC: REMASTERED TO NX					
mm		NTS		<div style="text-align: center; font-size: 24pt; font-weight: bold;">molex</div> <p style="text-align: center;">IMPACT 4 PAIR RAM GUIDE RIGHT SIGNAL MODULE SALES DWG</p> <p style="text-align: center;">PRODUCT CUSTOMER DRAWING</p>					
GENERAL TOLERANCES (UNLESS SPECIFIED)									
ANGULAR TOL		± 0.5°							
4 PLACES		±							
3 PLACES		±							
2 PLACES		± 0.13							
1 PLACE		± 0.25		EC NO: 705090		2021/12/13			
0 PLACES		±		DRWN: DYARAS		2022/02/17			
DRAFT WHERE APPLICABLE				THIRD ANGLE PROJECTION		DRAWING		SERIES	
MUST REMAIN WITHIN DIMENSIONS						D-SIZE		76500	
DOCUMENT NUMBER				CUSTOMER		SHEET NUMBER		REVISION	
SD-76500-004				GENERAL MARKET		2 OF 2		F4	