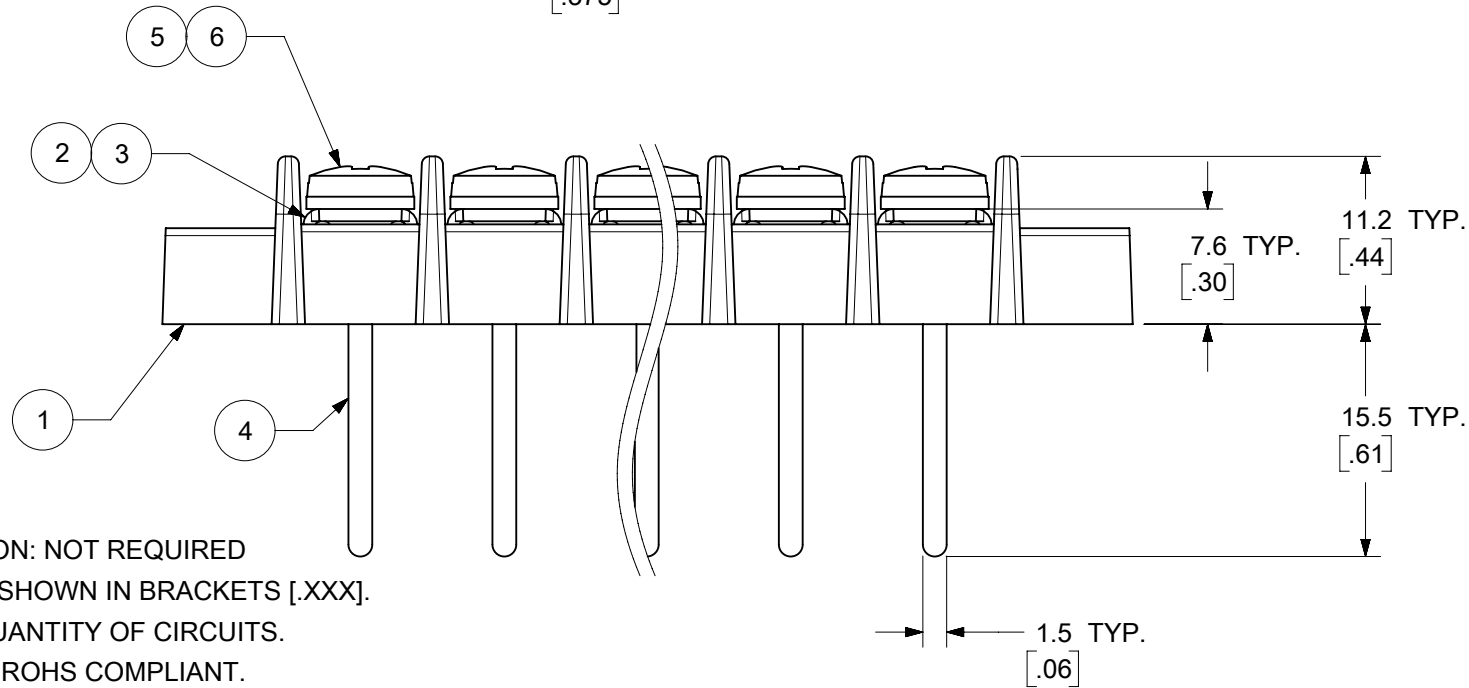
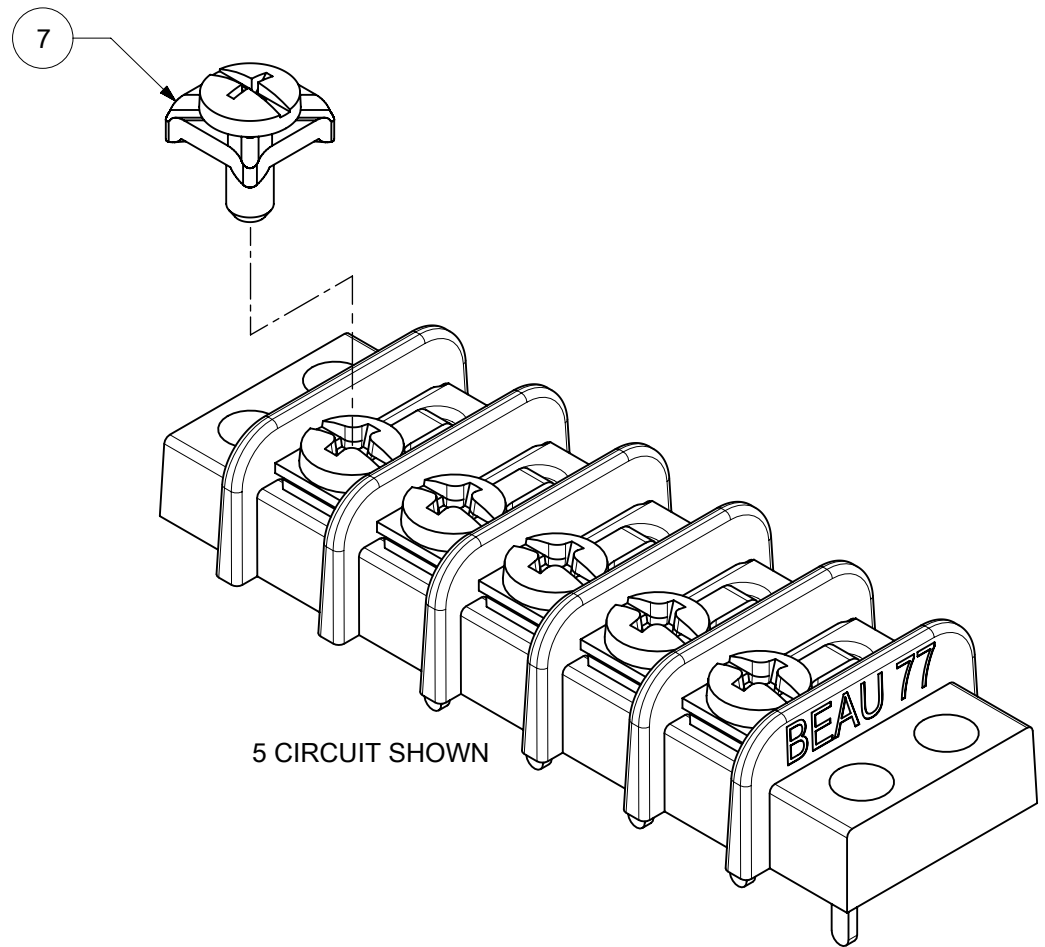
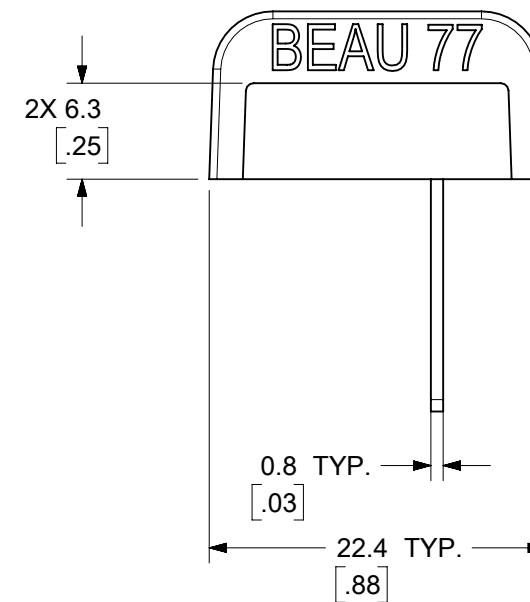


REF -50 OPTION SCREW  
(WHERE APPLICABLE)



NOTES:

1. MATERIAL: SEE TABLE
2. FINISHES: SEE TABLE
3. PRODUCT SPECIFICATION: NOT REQUIRED
4. INCH DIMENSIONS ARE SHOWN IN BRACKETS [.XXX].
5. "XX" REFERS TO THE QUANTITY OF CIRCUITS.
6. ALL COMPONENTS ARE ROHS COMPLIANT.



| TOLERANCES |       |           |       |
|------------|-------|-----------|-------|
| MM         | TOL   | INCH      | TOL   |
| 0-6        | ±0.25 | 0-.24     | ±.010 |
| >6-30      | ±0.40 | .24-1.18  | ±.016 |
| >30-120    | ±0.50 | 1.18-4.76 | ±.020 |
| >120       | ±0.80 | >4.76     | ±.031 |



| 7    | XX  | SCREW, #6-32X.250 PAN HD, PHIL-SLOT W/WSHR (-50 OPTION) | STEEL         | ZN, CLEAR CHROMATE |
|------|-----|---|---------------|--------------------|
| 6    | XX  | SCREW, #6-32X.250 BGHD, PHIL-SLOT (-49 OPTION)          | BRASS         | NICKEL PLATE       |
| 5    | XX  | SCREW, #6-32X.250, BGHD PHIL-SLOT (STANDARD)            | STEEL         | ZN, CLEAR CHROMATE |
| 4    | XX  | TERMINAL, WIRE TAP Y                                    | BRASS         | TIN PLATE          |
| 3    | XX  | TERMINAL PLATE (-49 OPTION)                             | BRASS         | TIN PLATE          |
| 2    | XX  | TERMINAL PLATE  | BRASS         | NICKEL PLATE       |
| 1    | 1   | INSULATOR   | THERMOPLASTIC | BLACK              |
| ITEM | QTY | DESCRIPTION   | MATERIAL      | FINISH             |

THIS DRAWING CONTAINS INFORMATION THAT IS PROPRIETARY TO MOLEX ELECTRONIC TECHNOLOGIES, LLC AND SHOULD NOT BE USED WITHOUT WRITTEN PERMISSION

|  |                                       |                      |  |                   |            |
|--|---------------------------------------|----------------------|--|-------------------|------------|
| FUNCTIONAL SYMBOLS                                   | DIMENSION UNITS                       | SCALE                | CURRENT REV DESC: MIGRATED TO ECTR/NX & ADDED TOLERANCE TABLE  |                   |            |
| FA = 0   | MM/INCH                               | 2:1                  | <p><b>molex</b></p> <p>9.53MM [.375] DOUBLE ROW<br/>LOW PROFILE BTS ASSY</p> <p>PRODUCT CUSTOMER DRAWING</p> <p>DOCUMENT NUMBER: <b>SD-38770-003</b>   DOC TYPE: PSD   DOC PART: 001   REVISION: <b>A1</b></p> |                   |            |
| EA = 0   | GENERAL TOLERANCES (UNLESS SPECIFIED) |                      |  |                   |            |
| EA = 0   | MM                                    | INCH                 |  |                   |            |
| DIVISIONAL SYMBOLS                                   | 4 PLACES ± --- ± ---                  | 3 PLACES ± --- ± --- |  |                   |            |
| ANGULAR TOL ± ---                                    |                                       |                      | EC NO: 642242  | DRWN: ABENJAMINLW | 2020/04/30 |
| DRAFT WHERE APPLICABLE MUST REMAIN WITHIN DIMENSIONS |                                       |                      | THIRD ANGLE PROJECTION   | DRWING            | SERIES     |
|  |                                       |                      | APPR: RDEROSS  | 2006/05/11        | 2006/05/11 |
|  |                                       |                      | B-SIZE   | 38770             | SEE CHART  |
|  |                                       |                      | GENERAL MARKET   | 1 OF 2            |            |

| NO. OF<br>CIRCUITS<br>"XX" | DIM. "A" |         | DIM. "B" |          | DIM. "C" |         | DIM. "D" |         | ASSEMBLY<br>MATERIAL NO.<br>(STANDARD) | ASSEMBLY<br>MATERIAL NO.<br>(-49 OPTION) | ASSEMBLY<br>MATERIAL NO.<br>(-50 OPTION) |
|----------------------------|----------|---------|----------|----------|----------|---------|----------|---------|--|--|--|
|                            | mm       | INCH    | mm       | INCH     | mm       | INCH    | mm       | INCH    |  |  |  |
| 2                          | 35.7     | [1.41]  | 9.53     | [.375]   | 28.6     | [1.13]  | 21.3     | [.84]   | 387701902                              | 387702002                                | 387703102                                |
| 3                          | 45.2     | [1.78]  | 19.05    | [.750]   | 38.1     | [1.50]  | 30.8     | [1.21]  | 387701903                              | 387702003                                | 387703103                                |
| 4                          | 54.7     | [2.16]  | 28.58    | [1.125]  | 47.6     | [1.88]  | 40.3     | [1.59]  | 387701904                              | 387702004                                | 387703104                                |
| 5                          | 64.3     | [2.53]  | 38.10    | [1.500]  | 57.2     | [2.25]  | 49.8     | [1.96]  | 387701905                              | 387702005                                | 387703105                                |
| 6                          | 73.8     | [2.91]  | 47.63    | [1.875]  | 66.7     | [2.63]  | 59.4     | [2.34]  | 387701906                              | 387702006                                | 387703106                                |
| 7                          | 83.3     | [3.28]  | 57.15    | [2.250]  | 76.2     | [3.00]  | 68.9     | [2.71]  | 387701907                              | 387702007                                | 387703107                                |
| 8                          | 92.8     | [3.66]  | 66.68    | [2.625]  | 85.7     | [3.38]  | 78.4     | [3.09]  | 387701908                              | 387702008                                | 387703108                                |
| 9                          | 102.4    | [4.03]  | 76.20    | [3.000]  | 95.3     | [3.75]  | 87.9     | [3.46]  | 387701909                              | 387702009                                | 387703109                                |
| 10                         | 111.9    | [4.41]  | 85.73    | [3.375]  | 104.8    | [4.13]  | 97.5     | [3.84]  | 387701910                              | 387702010                                | 387703110                                |
| 11                         | 121.4    | [4.78]  | 95.25    | [3.750]  | 114.3    | [4.50]  | 107.0    | [4.21]  | 387701911                              | 387702011                                | 387703111                                |
| 12                         | 130.9    | [5.16]  | 104.78   | [4.125]  | 123.8    | [4.88]  | 116.5    | [4.59]  | 387701912                              | 387702012                                | 387703112                                |
| 13                         | 140.5    | [5.53]  | 114.30   | [4.500]  | 133.4    | [5.25]  | 126.0    | [4.96]  | 387701913                              | 387702013                                | 387703113                                |
| 14                         | 150.0    | [5.91]  | 123.83   | [4.875]  | 142.9    | [5.63]  | 135.6    | [5.34]  | 387701914                              | 387702014                                | 387703114                                |
| 15                         | 159.5    | [6.28]  | 133.35   | [5.250]  | 152.4    | [6.00]  | 145.1    | [5.71]  | 387701915                              | 387702015                                | 387703115                                |
| 16                         | 169.0    | [6.66]  | 142.88   | [5.625]  | 161.9    | [6.38]  | 154.6    | [6.09]  | 387701916                              | 387702016                                | 387703116                                |
| 17                         | 178.6    | [7.03]  | 152.40   | [6.000]  | 171.5    | [6.75]  | 164.1    | [6.46]  | 387701917                              | 387702017                                | 387703117                                |
| 18                         | 188.1    | [7.41]  | 161.93   | [6.375]  | 181.0    | [7.13]  | 173.7    | [6.84]  | 387701918                              | 387702018                                | 387703118                                |
| 19                         | 197.6    | [7.78]  | 171.45   | [6.750]  | 190.5    | [7.50]  | 183.2    | [7.21]  | 387701919                              | 387702019                                | 387703119                                |
| 20                         | 207.1    | [8.16]  | 180.98   | [7.125]  | 200.0    | [7.88]  | 192.7    | [7.59]  | 387701920                              | 387702020                                | 387703120                                |
| 21                         | 216.7    | [8.53]  | 190.50   | [7.500]  | 209.6    | [8.25]  | 202.2    | [7.96]  | 387701921                              | 387702021                                | 387703121                                |
| 22                         | 226.2    | [8.91]  | 200.03   | [7.875]  | 219.1    | [8.63]  | 211.8    | [8.34]  | 387701922                              | 387702022                                | 387703122                                |
| 23                         | 235.7    | [9.28]  | 209.55   | [8.250]  | 228.6    | [9.00]  | 221.3    | [8.71]  | 387701923                              | 387702023                                | 387703123                                |
| 24                         | 245.2    | [9.66]  | 219.08   | [8.625]  | 238.1    | [9.38]  | 230.8    | [9.09]  | 387701924                              | 387702024                                | 387703124                                |
| 25                         | 254.2    | [10.03] | 228.60   | [9.000]  | 247.7    | [9.75]  | 240.3    | [9.46]  | 387701925                              | 387702025                                | 387703125                                |
| 26                         | 264.3    | [10.41] | 238.13   | [9.375]  | 257.2    | [10.13] | 249.9    | [9.84]  | 387701926                              | 387702026                                | 387703126                                |
| 27                         | 273.8    | [10.78] | 247.65   | [9.750]  | 266.7    | [10.50] | 259.4    | [10.21] | 387701927                              | 387702027                                | 387703127                                |
| 28                         | 283.3    | [11.16] | 257.18   | [10.125] | 276.2    | [10.88] | 268.9    | [10.59] | 387701928                              | 387702028                                | 387703128                                |
| 29                         | 292.9    | [11.53] | 266.70   | [10.500] | 285.8    | [11.25] | 278.4    | [10.96] | 387701929                              | 387702029                                | 387703129                                |
| 30                         | 302.4    | [11.91] | 276.23   | [10.875] | 295.3    | [11.63] | 288.0    | [11.34] | 387701930                              | 387702030                                | 387703130                                |

| TOLERANCES |       |           |       |
|------------|-------|-----------|-------|
| MM         | TOL   | INCH      | TOL   |
| 0-6        | ±0.25 | 0-.24     | ±.010 |
| >6-30      | ±0.40 | .24-1.18  | ±.016 |
| >30-120    | ±0.50 | 1.18-4.76 | ±.020 |
| >120       | ±0.80 | >4.76     | ±.031 |

|                                       |  |             |  |   |  |             |  |   |  |             |  |   |  |  |  |                 |  |             |  |                |  |             |  |              |  |  |  |
|---------------------------------------|--|-------------|--|---|--|-------------|--|---|--|-------------|--|---|--|--|--|-----------------|--|-------------|--|----------------|--|-------------|--|--------------|--|--|--|
| FUNCTIONAL SYMBOLS                    |  |             |  |   |  |             |  |   |  |             |  | THIS DRAWING CONTAINS INFORMATION THAT IS PROPRIETARY TO MOLEX ELECTRONIC TECHNOLOGIES, LLC AND SHOULD NOT BE USED WITHOUT WRITTEN PERMISSION   |  |  |  |                 |  |             |  |                |  |             |  |              |  |  |  |
| DIMENSION UNITS                       |  |             |  | SCALE   |  |             |  | CURRENT REV DESC: MIGRATED TO ECTR/NX & ADDED TOLERANCE TABLE |  |             |  | <br>9.53MM [.375] DOUBLE ROW<br>LOW PROFILE BTS ASSY   |  |  |  |                 |  |             |  |                |  |             |  |              |  |  |  |
| MM/INCH                               |  |             |  | 2:1   |  |             |  |   |  |             |  |   |  |  |  |                 |  |             |  |                |  |             |  |              |  |  |  |
| GENERAL TOLERANCES (UNLESS SPECIFIED) |  |             |  |   |  |             |  |   |  |             |  | EC NO: 642242<br>DRWN: ABENJAMINLW 2020/04/30<br>CHK'D: MBRZOZOWSKI 2020/05/13<br>APPR: JFMURPHY 2020/08/11<br>INITIAL REVISION:<br>DRWN: AHIDALGO 2006/05/11<br>APPR: RDEROSS 2006/05/11 |  |  |  |                 |  |             |  |                |  |             |  |              |  |  |  |
| 4 PLACES                              |  | ± --- ± --- |  | 3 PLACES  |  | ± --- ± --- |  | 2 PLACES  |  | ± --- ± --- |  |   |  |  |  | 1 PLACE         |  | ± --- ± --- |  | 0 PLACES       |  | ± --- ± --- |  |              |  |  |  |
| 3 PLACES                              |  | ± --- ± --- |  | 2 PLACES  |  | ± --- ± --- |  | 1 PLACE   |  | ± --- ± --- |  |   |  |  |  | 0 PLACES        |  | ± --- ± --- |  | ANGULAR TOL    |  | ± ---       |  |              |  |  |  |
| 3 PLACES                              |  | ± --- ± --- |  | 2 PLACES  |  | ± --- ± --- |  | 1 PLACE   |  | ± --- ± --- |  |   |  |  |  | 0 PLACES        |  | ± --- ± --- |  | ANGULAR TOL    |  | ± ---       |  |              |  |  |  |
| 2 PLACES                              |  | ± --- ± --- |  | 1 PLACE   |  | ± --- ± --- |  | 0 PLACES  |  | ± --- ± --- |  |   |  |  |  | ANGULAR TOL     |  | ± ---       |  |                |  |             |  |              |  |  |  |
| DIVISIONAL SYMBOLS                    |  |             |  | THIRD ANGLE PROJECTION  |  |             |  | DRAWING   |  |             |  | SERIES  |  |  |  | MATERIAL NUMBER |  |             |  | CUSTOMER       |  |             |  | SHEET NUMBER |  |  |  |
|                                       |  |             |  |  |  |             |  | B-SIZE  |  |             |  | 38770   |  |  |  | SEE CHART       |  |             |  | GENERAL MARKET |  |             |  | 2 OF 2       |  |  |  |

| NO. OF CIRCUITS 'XX' | DM. 'A'       | DM. 'B'         | DM. 'C'       | DM. 'D'       | ASSEMBLY MATERIAL NO. (STANDARD) | ASSEMBLY MATERIAL NO. (-49 OPTION) | ASSEMBLY MATERIAL NO. (-50 OPTION) |
|----------------------|---------------|-----------------|---------------|---------------|----------------------------------|------------------------------------|------------------------------------|
| 2                    | 35.7 [1.41]   | 9.53 [.375]     | 28.6 [1.13]   | 21.3 [.84]    | 387701902                        | 387702002                          | 387703102                          |
| 3                    | 45.2 [1.78]   | 19.05 [.750]    | 38.1 [1.50]   | 30.8 [1.21]   | 387701903                        | 387702003                          | 387703103                          |
| 4                    | 54.7 [2.16]   | 28.58 [1.125]   | 47.6 [1.88]   | 40.3 [1.59]   | 387701904                        | 387702004                          | 387703104                          |
| 5                    | 64.3 [2.53]   | 38.10 [1.500]   | 57.2 [2.25]   | 49.8 [1.96]   | 387701905                        | 387702005                          | 387703105                          |
| 6                    | 73.8 [2.91]   | 47.63 [1.875]   | 66.7 [2.63]   | 59.4 [2.34]   | 387701906                        | 387702006                          | 387703106                          |
| 7                    | 83.3 [3.28]   | 57.15 [2.250]   | 76.2 [3.00]   | 68.9 [2.71]   | 387701907                        | 387702007                          | 387703107                          |
| 8                    | 92.8 [3.66]   | 66.68 [2.625]   | 85.7 [3.38]   | 78.4 [3.09]   | 387701908                        | 387702008                          | 387703108                          |
| 9                    | 102.4 [4.03]  | 76.20 [3.000]   | 95.3 [3.75]   | 87.9 [3.46]   | 387701909                        | 387702009                          | 387703109                          |
| 10                   | 111.9 [4.41]  | 85.73 [3.375]   | 104.8 [4.13]  | 97.5 [3.84]   | 387701910                        | 387702010                          | 387703110                          |
| 11                   | 121.4 [4.78]  | 95.25 [3.750]   | 114.3 [4.50]  | 107.0 [4.21]  | 387701911                        | 387702011                          | 387703111                          |
| 12                   | 130.9 [5.16]  | 104.78 [4.125]  | 123.8 [4.88]  | 116.5 [4.59]  | 387701912                        | 387702012                          | 387703112                          |
| 13                   | 140.5 [5.53]  | 114.30 [4.500]  | 133.4 [5.25]  | 126.0 [4.96]  | 387701913                        | 387702013                          | 387703113                          |
| 14                   | 150.0 [5.91]  | 123.83 [4.875]  | 142.9 [5.63]  | 135.6 [5.34]  | 387701914                        | 387702014                          | 387703114                          |
| 15                   | 159.5 [6.28]  | 133.35 [5.250]  | 152.4 [6.00]  | 145.1 [5.71]  | 387701915                        | 387702015                          | 387703115                          |
| 16                   | 169.0 [6.66]  | 142.88 [5.625]  | 161.9 [6.38]  | 154.6 [6.09]  | 387701916                        | 387702016                          | 387703116                          |
| 17                   | 178.6 [7.03]  | 152.40 [6.000]  | 171.5 [6.75]  | 164.1 [6.46]  | 387701917                        | 387702017                          | 387703117                          |
| 18                   | 188.1 [7.41]  | 161.93 [6.375]  | 181.0 [7.13]  | 173.7 [6.84]  | 387701918                        | 387702018                          | 387703118                          |
| 19                   | 197.6 [7.78]  | 171.45 [6.750]  | 190.5 [7.50]  | 183.2 [7.21]  | 387701919                        | 387702019                          | 387703119                          |
| 20                   | 207.1 [8.16]  | 180.98 [7.125]  | 200.0 [7.88]  | 192.7 [7.59]  | 387701920                        | 387702020                          | 387703120                          |
| 21                   | 216.7 [8.53]  | 190.50 [7.500]  | 209.6 [8.25]  | 202.2 [7.96]  | 387701921                        | 387702021                          | 387703121                          |
| 22                   | 226.2 [8.91]  | 200.03 [7.875]  | 219.1 [8.63]  | 211.8 [8.34]  | 387701922                        | 387702022                          | 387703122                          |
| 23                   | 235.7 [9.28]  | 209.55 [8.250]  | 228.6 [9.00]  | 221.3 [8.71]  | 387701923                        | 387702023                          | 387703123                          |
| 24                   | 245.2 [9.66]  | 219.08 [8.625]  | 238.1 [9.38]  | 230.8 [9.09]  | 387701924                        | 387702024                          | 387703124                          |
| 25                   | 254.8 [10.03] | 228.60 [9.000]  | 247.7 [9.75]  | 240.3 [9.46]  | 387701925                        | 387702025                          | 387703125                          |
| 26                   | 264.3 [10.41] | 238.13 [9.375]  | 257.2 [10.13] | 249.9 [9.84]  | 387701926                        | 387702026                          | 387703126                          |
| 27                   | 273.8 [10.78] | 247.65 [9.750]  | 266.7 [10.50] | 259.4 [10.21] | 387701927                        | 387702027                          | 387703127                          |
| 28                   | 283.3 [11.16] | 257.18 [10.125] | 276.2 [10.88] | 268.9 [10.59] | 387701928                        | 387702028                          | 387703128                          |
| 29                   | 292.9 [11.53] | 266.70 [10.500] | 285.8 [11.25] | 278.4 [10.96] | 387701929                        | 387702029                          | 387703129                          |
| 30                   | 302.4 [11.91] | 276.23 [10.875] | 295.3 [11.63] | 288.0 [11.34] | 387701930                        | 387702030                          | 387703130                          |

|   |                    |  |   |  |  |  |
|---|--------------------|--|---|--|--|--|
| INITIAL RELEASE<br>EC NO: ETC2006-0393<br>DRW:AHIDALGO 2006/05/11<br>CHKD:JENCINAS 2006/05/11<br>APPR:RDEROSS 2006/05/11<br>A | DESCRIPTION<br>REV | QUALITY SYMBOLS<br>▽=0<br>▽=0                        | GENERAL TOLERANCES (UNLESS SPECIFIED)<br>mm INCH<br>4 PLACES ± --- ±.0002<br>3 PLACES ± 0.000 ±.005<br>2 PLACES ± 0.13 ±.01<br>1 PLACE ± 0.3 ± ---<br>ANGULAR ± 2 ° | DIMENSION STYLE<br>MM/IN<br>DRAWN BY DATE<br>AHIDALGO 2006/04/18<br>CHECKED BY DATE<br>JENCINAS 2006/04/18<br>APPROVED BY DATE<br>RDEROSS 2006/04/18 | SCALE<br>2:1<br>DESIGN UNITS<br>INCH<br>THIRD ANGLE PROJECTION | TITLE<br>9.53MM [.375] DOUBLE ROW LOW PROFILE BTS ASSY |
|   |                    | DRAFT WHERE APPLICABLE MUST REMAIN WITHIN DIMENSIONS | MATERIAL NO.<br>SEE CHART   | DOCUMENT NO.<br>SD-38770-003   | SHEET NO.<br>2 OF 2  |  |
|   |                    | SIZE<br>B  | THIS DRAWING CONTAINS INFORMATION THAT IS PROPRIETARY TO MOLEX INCORPORATED AND SHOULD NOT BE USED WITHOUT WRITTEN PERMISSION                                       |  |  |  |
|   |                    |  |   |  |  |  |