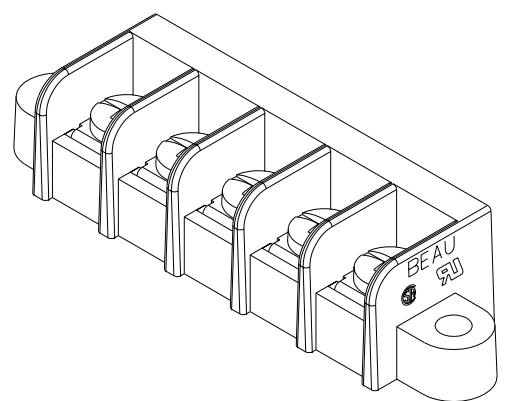
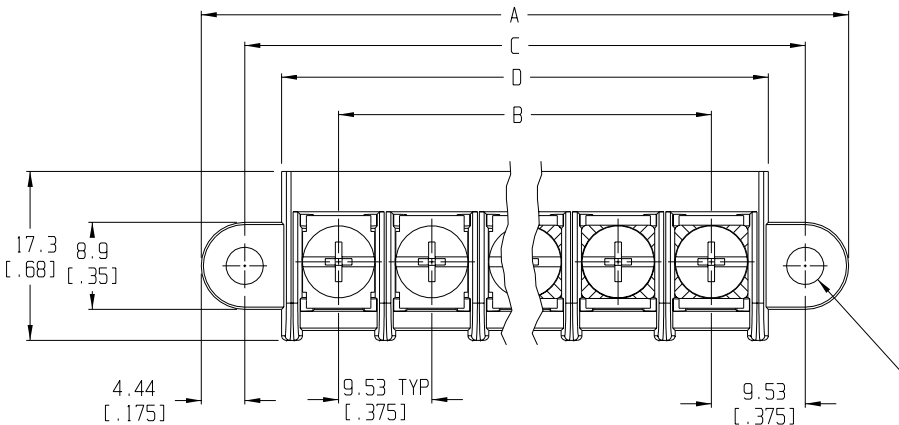
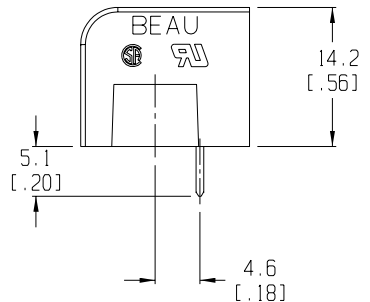
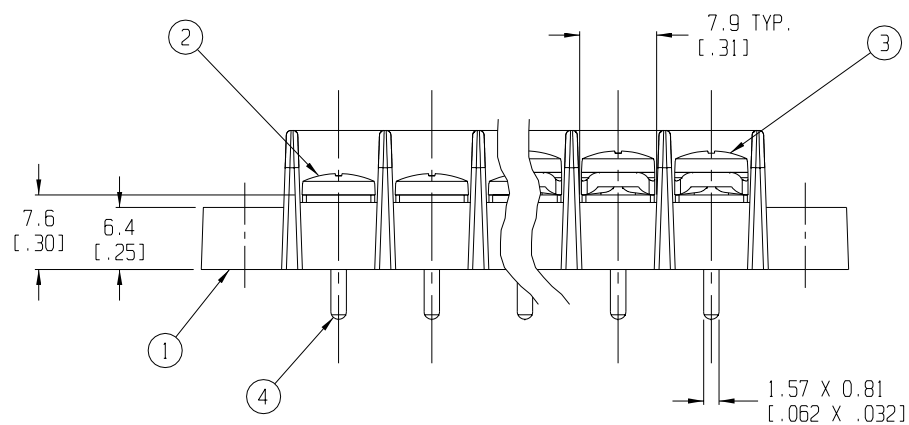


RECOMMENDED PTH PATTERN  
SCALE 1:1



Ø3.81 2 HOLES [.150]  
5 CIRCUIT SHOWN

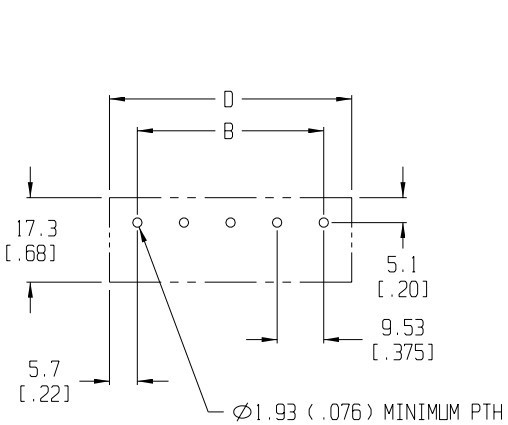


- NOTES:
1. MATERIAL: SEE TABLE
  2. FINISHES: SEE TABLE
  3. PRODUCT SPECIFICATION: UL & CSA, 12-24 AWG
  4. PACKAGING: NOT REQUIRED
  5. MATES WITH: NONE
  6. "XX" REFERS TO QTY. OF CIRCUITS
  7. LENGTH TABLE SHOWN ON SHEET 2
  8. REFER TO SD-38120-001 (-10A THRU -10D AND -11A THRU -11D)  
OR SD-38120-002 (-10AT THRU -10DT AND -11AT THRU -11DT)  
FOR OPTIONAL IMPRINTING.

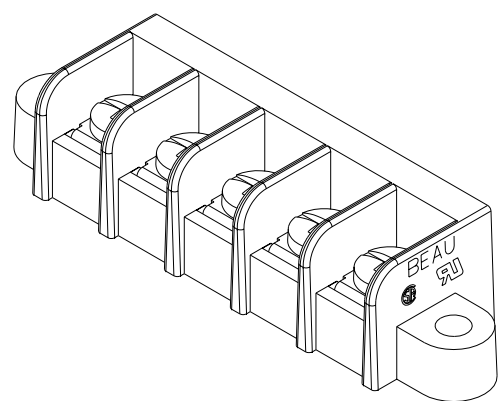
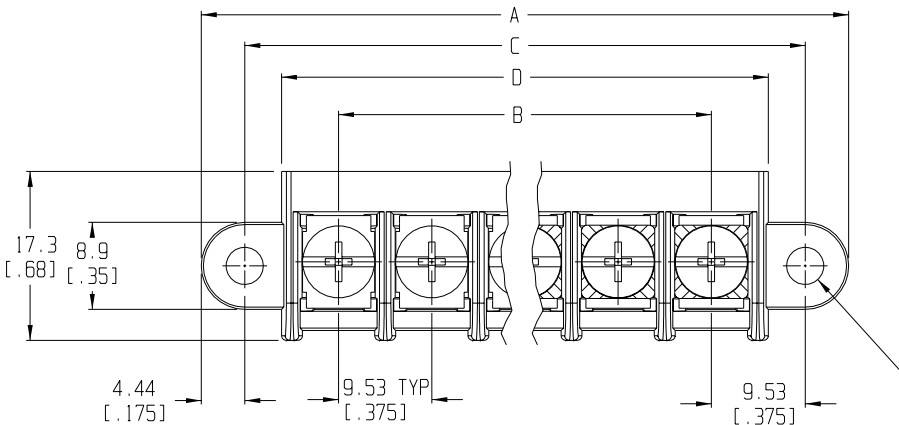
ITEM	QTY.	DESCRIPTION	MATERIAL	FINISH
4	XX	TERMINAL	BRASS	TIN PLATE
3	XX	SCREW & WASHER (-50 OPT)	STEEL	ZINC CHROMATE
2	XX	SCREW (STD.)	STEEL	ZINC CHROMATE
1	1	BARRIER TERMINAL STRIP	THERMOPLASTIC	BLACK

EC NO. RELEASED DRWN: CLY CHK: APPR:	QUALITY SYMBOLS	GENERAL TOLERANCES: (UNLESS SPECIFIED)	SCALE 2:1	DESIGN UNITS <input type="checkbox"/> mm <input checked="" type="checkbox"/> INCH	THIRD ANGLE PROJECTION	PROJECT NO. -	I	-
	MAJOR	4 PLACES ±.038 ±.005	DRAWN BY & DATE C. YORK 7-29-03	<input checked="" type="checkbox"/> mm <input type="checkbox"/> INCH <input type="checkbox"/> mm ONLY	TITLE: SR BTS, PC TERMINAL	DIMENSIONS:		
	CRITICAL	3 PLACES ±.13 ±.01	CHECKED BY & DATE	REVISE ON CAD ONLY			SHT	REV
	SPC	2 PLACES ±.3	APPROVED BY & DATE	MATERIAL NO. SEE SHEET 2			DRAWING NO. SD-38750-001	SHEET NO. 1 OF 2
REV	ANGULAR: ±2°	DRAFT WHERE APPLICABLE MUST REMAIN WITHIN DIMENSIONS	CAD FILENAME 755XX	THIS DRAWING CONTAINS INFORMATION THAT IS PROPRIETARY TO MOLEX INCORPORATED AND SHOULD NOT BE USED WITHOUT WRITTEN PERMISSION.			SIZE	B

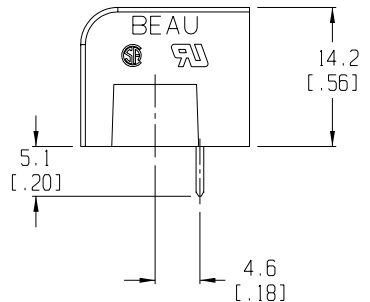
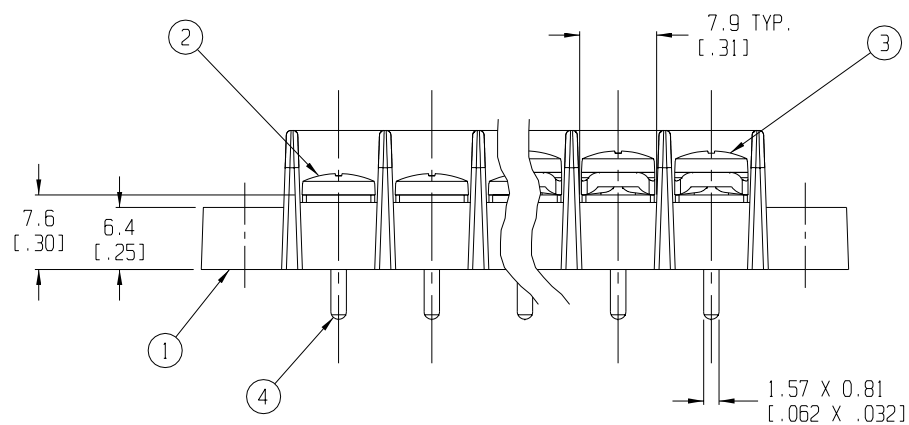
10	9	8	7	5	4	3	2	1
----	---	---	---	---	---	---	---	---



RECOMMENDED PTH PATTERN  
SCALE 1:1



5 CIRCUIT SHOWN



NOTES:

1. MATERIAL: SEE TABLE
2. FINISHES: SEE TABLE
3. PRODUCT SPECIFICATION: UL & CSA, 12-24 AWG
4. PACKAGING: NOT REQUIRED
5. MATES WITH: NONE
6. "XX" REFERS TO QTY. OF CIRCUITS
7. LENGTH TABLE SHOWN ON SHEET 2
8. REFER TO SD-38120-001 (-10A THRU -10D AND -11A THRU -11D)  
OR SD-38120-002 (-10AT THRU -10DT AND -11AT THRU -11DT)  
FOR OPTIONAL IMPRINTING.

4	XX	TERMINAL	BRASS	TIN PLATE
3	XX	SCREW & WASHER (-50 OPT)	STEEL	ZINC CHROMATE
2	XX	SCREW (STD.)	STEEL	ZINC CHROMATE
1	1	BARRIER TERMINAL STRIP	THERMOPLASTIC	BLACK
ITEM	QTY.	DESCRIPTION	MATERIAL	FINISH

EC NO. RELEASED DRWN: CLY CHK: APPR: REV A	QUALITY SYMBOLS	GENERAL TOLERANCES: (UNLESS SPECIFIED)	SCALE 2:1	DESIGN UNITS <input type="checkbox"/> mm <input checked="" type="checkbox"/> INCH	THIRD ANGLE PROJECTION	PROJECT NO. -	I	-
	MAJOR	mm	INCH	DRAWN BY & DATE C. YORK 7-29-03	TITLE: SR BTS, PC TERMINAL	DIMENSIONS: <input checked="" type="checkbox"/> mm <input type="checkbox"/> INCH <input type="checkbox"/> mm ONLY		
	CRITICAL	4 PLACES ±.038	±.0015	CHECKED BY & DATE	APPROVED BY & DATE	REVISE ON CAD ONLY		
	SPC	3 PLACES ±.13	±.005	APPROVED BY & DATE	CAD FILENAME 755XX	MATERIAL NO. SEE SHEET 2	DRAWING NO. SD-38750-001	SHEET NO. 1 OF 2
		2 PLACES ±.13	±.01			THIS DRAWING CONTAINS INFORMATION THAT IS PROPRIETARY TO MOLEX INCORPORATED AND SHOULD NOT BE USED WITHOUT WRITTEN PERMISSION.		
		1 PLACE ±.3						
		ANGULAR: ±2°						
		DRAFT WHERE APPLICABLE MUST REMAIN WITHIN DIMENSIONS						

10	9	8	7	5	4	3	2	1
----	---	---	---	---	---	---	---	---