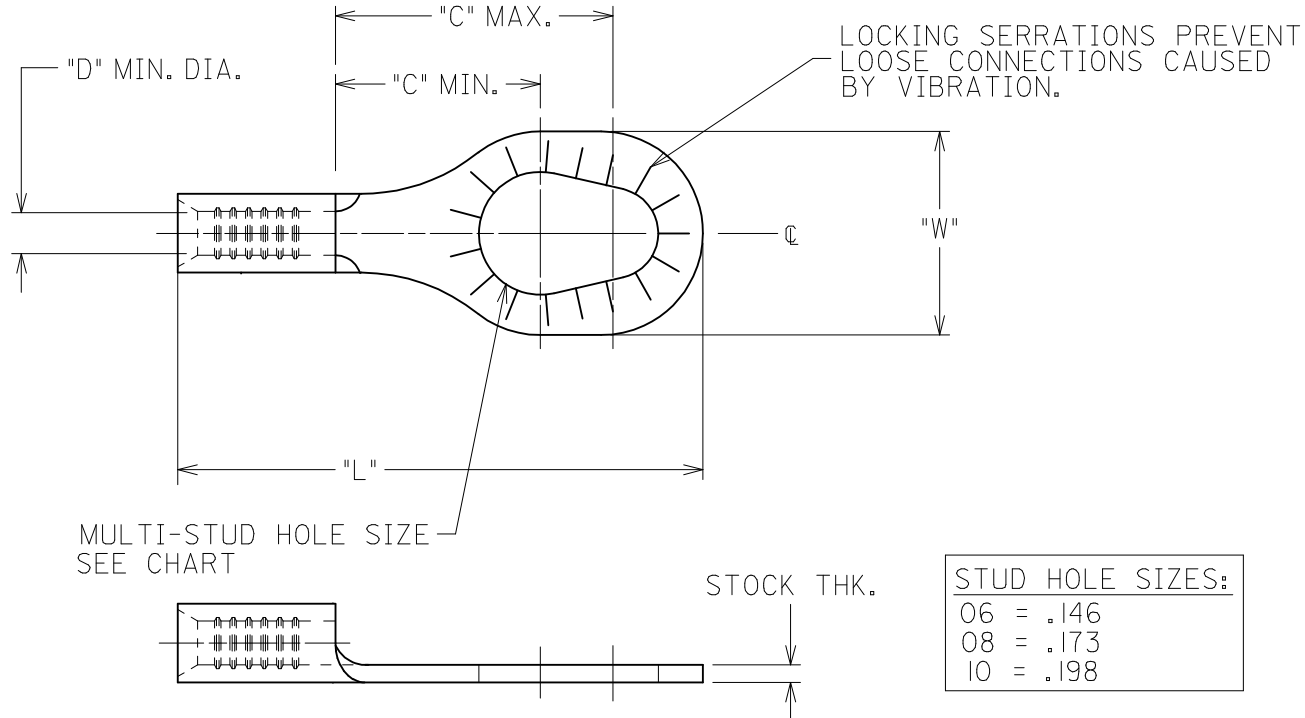


LOOSE PIECE		TAPE MOUNTED		WIRE RANGE (AWG)	"L" MAX.	"W" MAX.	"C" MIN.	"C" MAX.	"D" MIN.	STUD SIZE RANGE FOR EA. PART No.	STOCK THICKNESS
MATERIAL NUMBER	ENG NUMBER	MATERIAL NUMBER	ENG NUMBER								
190790004	A-1006-MS	190790005	A-1006-MST	22-18	.866	.348	.330	.447	.062	6, 8, 10	.028
190790007	B-1006-MS	190790009	B-1006-MST	16-14	.866	.362	.330	.447	.081	6, 8, 10	.031
190790011	C-1006-MS	190790012	C-1006-MST	12-10	.890	.410	.330	.447	.128	6, 8, 10	.040



- NOTES:
1. MATERIAL: COPPER
 2. PLATING: TIN
 3. PART IS RoHS COMPLIANT.

REDRAWN/RELEASED EC NO: IFC2017-0590 DRAWING: G0JAS01 2016/12/14 CHKD: JMACNEIL 2016/12/14 APPR: JMACNEIL 2016/12/16	DESCRIPTION A	QUALITY SYMBOLS	GENERAL TOLERANCES (UNLESS SPECIFIED)	DIMENSION STYLE INCH ONLY		SCALE ---	DESIGN UNITS INCH	THIRD ANGLE PROJECTION	
		▽=0	mm INCH	DRAWN BY	DATE	TITLE KRIMPTITE, MULTI-STUD RING TONGUE TERMINAL			
		▽7=0	4 PLACES ± --- ± ---	EMF	1993/08/09				
			3 PLACES ± --- ± ---	CHECKED BY		DATE	DOCUMENT NO. SD-19079-001		
	2 PLACES ± --- ± ---	JMACNEIL		2016/12/14					
	1 PLACE ± --- ± ---	APPROVED BY		DATE	SHEET NO. 1 OF 1				
	0 PLACE ± ±			2016/12/16					
			ANGULAR ± --- °	MATERIAL NO.		THIS DRAWING CONTAINS INFORMATION THAT IS PROPRIETARY TO MOLEX INCORPORATED AND SHOULD NOT BE USED WITHOUT WRITTEN PERMISSION			
			DRAFT WHERE APPLICABLE MUST REMAIN WITHIN DIMENSIONS	SEE CHART					