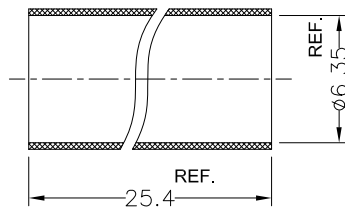
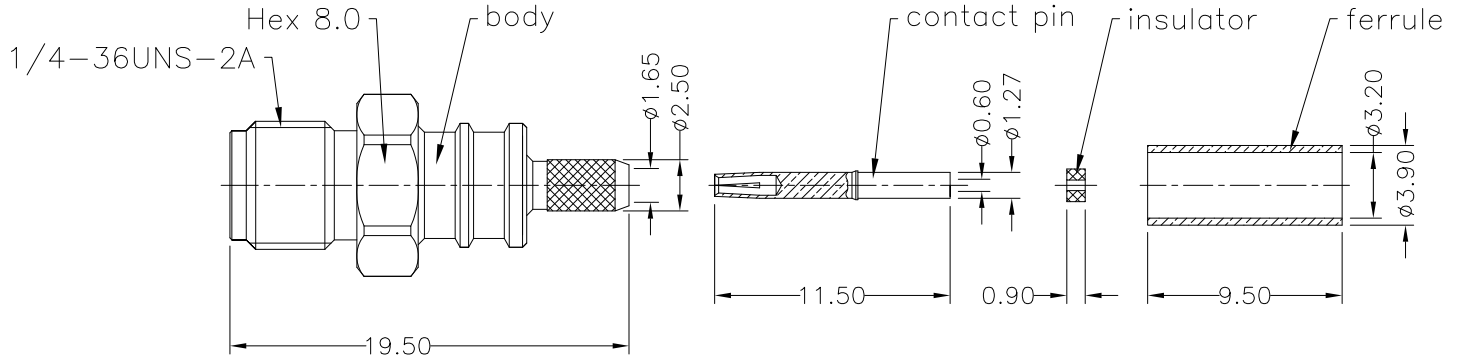
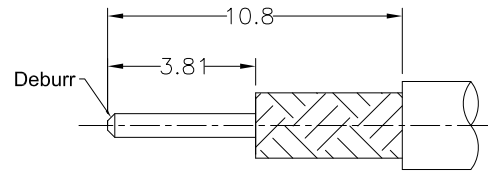


NOTICE OF PROPRIETARY RIGHTS THIS DOCUMENT CONTAINS CONFIDENTIAL DATA, INCLUDING TRADE SECRETS, PROPRIETARY TO TIMES MICROWAVE SYSTEMS. DISCLOSURE OF THIS DATA IS EXPRESSLY CONDITIONED UPON YOUR ASSENT THAT ITS USE IS LIMITED TO USE WITHIN YOUR COMPANY ONLY. ANY OTHER USE IS STRICTLY PROHIBITED WITHOUT THE PRIOR WRITTEN CONSENT OF TIMES MICROWAVE SYSTEMS.

SYM	REVISION DESCRIPTION	DFTM	DATE	APPD	APPD
A	RELEASED FOR PRODUCTION	Joslen	2016.04.29	TZ	2016.04.29
B	Strip Dimension Correction	Monica	2017.12.26	TZ	2017.12.26



Heat Shrink Tube



RECOMMENDED CABLE STRIPPING DIM'S
Connector adds: 10.69 mm

I. MATERIALS & FINISHES

Components	Materials	Finishes	Thk. (μ")
Body	Brass	Nickel	100
Center Cont.	QBe2	Gold	15
Ferrule	Brass	Nickel	100
Insulator	PTFE	-	-

II. ELECTRICAL PROPERTIES

Impedance (Ω):	50
Frequency Range (GHz):	DC to 6 GHz
Working Voltage (V):	500
Insulation Resistance (MΩ):	≥5000
VSWR:	≤1.30
Insertion Loss(dB, f/GHz):	-0.1x √f

III. ENVIRONMENT PROPERTIES

Temperature Range:	-55°C~+125°C
Thermal Shock:	MIL-STD 202G, Meth.107, Cond.B
Vibration:	MIL-STD 202G, Meth.204, Cond.B
Shock:	MIL-STD 202G, Meth.213, Cond I
Climatic Class:	IEC 60068 55/155/56
(2002/95/EC)RoHS:	Compliant


IV. MECHANICAL PROPERTIES

Center Cont.:	Solder
Outer Cont.:	Crimp
Coupling Nut Torque (N.m):	1.0
Cbl-Connector Retention Force (N):	100
Durability (cycles):	500

V. TOOLING

Stripping Tool: N/A
Crimping Tool: N/A

Compatible with Standard: IEC 60169-15

MATL:	UNLESS OTHERWISE SPECIFIED			DFTM.	Joslen	 SC-100-SF SMA Female (Jack) Straight Solder Pin Connector for LMR-100A Cable					
	ALL DIMENSIONS ARE IN mm MACHINED SURFACES FINISH 1.6 RMS MAX. REMOVE ALL BURRS 0.15X45° MAX. BREAK MACHINE CORNERS 0.15X45° D MAX. FILLET R. TOLERANCES ON DECIMALS .X ±0.3 .XX ±0.15 ANGLES ±2° FRACTIONS ± N/A			DATE	2016.04.29						
				CHKD	KG						
				DATE	2016.04.29						
USED ON: O				APPD	TZ						
SCALE: N/A	DWG SIZE: A4	DO NOT SCALE DRAWING	CODE IDENT	68999	DATE	2016.04.29	SHT	1 OF 1	3190-6277	REV	B