

PAGE 1/2

ISSUE 11-10-17

SERIE : SPnT

PART NUMBER : R573F93205

RF CHARACTERISTICS

Number of ways : 12
Frequency range : 0 - 18 GHz
Impedance : 50 Ohms

| Frequency (GHz) | DC - 3 | 3 - 8 | 8 - 12.4 | 12.4 - 15 | 15 - 18 |
|--------------------|---------|---------|----------|-----------|---------|
| VSWR max | 1.20 | 1.40 | 1.60 | 1.70 | 1.80 |
| Insertion loss max | 0.20 dB | 0.40 dB | 0.60 dB | 0.70 dB | 0.80 dB |
| Isolation min | 80 dB | 70 dB | 60 dB | 60 dB | 50 dB |
| Average power (*) | 240 W | 150 W | 120 W | 110 W | 100 W |

ELECTRICAL CHARACTERISTICS

Actuator : LATCHING
Nominal current ** : 500 mA
Actuator voltage (Vcc) : 28V (24 to 30V) / NEGATIVE COMMON
Terminals : 44 pins D-SUB male connector
Indicator rating : 1 W / 30 V / 100 mA
Self cut-off time : 40 ms < CT < 120 ms

MECHANICAL CHARACTERISTICS

Connectors : SMA female per MIL-C 39012
Life : 2 million cycles per position
Switching Time*** : < 50 ms
Construction : Splashproof
Weight : < 400 g

ENVIRONMENTAL CHARACTERISTICS

Operating temperature range : -40°C to +85°C
Storage temperature range : -55°C to +85°C

(* Average power at 25°C per RF Path)

(** At 25° C ±10%)

(*** Nominal voltage ; 25° C)



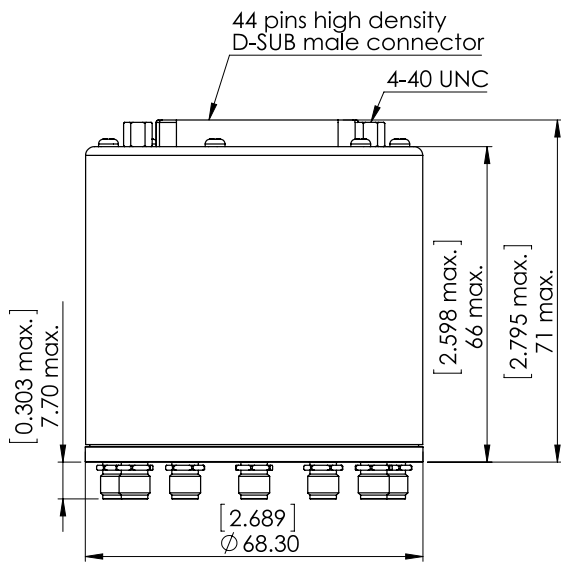
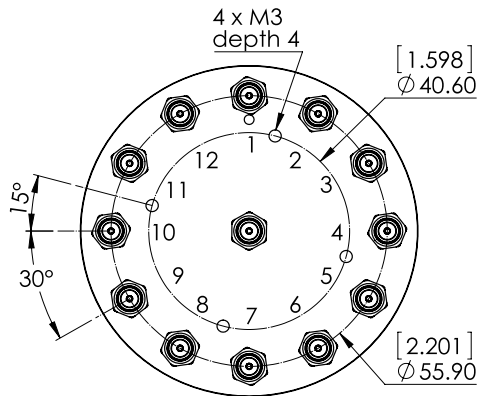
PAGE 2/2

ISSUE 11-10-17

SERIE : SPnT

PART NUMBER : R573F93205

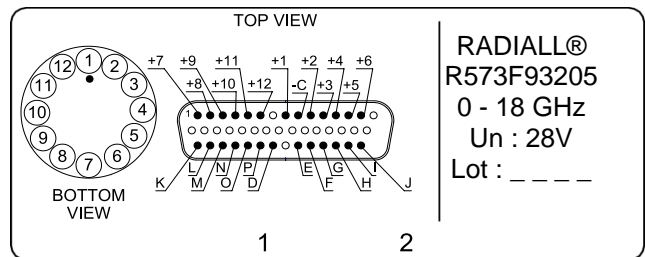
DRAWING



General tolerances : ±0,5 mm [0,02 in]

| Voltage | RF Continuity | Ind. |
|---------|---------------|------|
| -C +1 | IN ↔ 1 | D.E |
| -C +2 | IN ↔ 2 | D.F |
| -C +3 | IN ↔ 3 | D.G |
| -C +4 | IN ↔ 4 | D.H |
| -C +5 | IN ↔ 5 | D.I |
| -C +6 | IN ↔ 6 | D.J |
| -C +7 | IN ↔ 7 | D.K |
| -C +8 | IN ↔ 8 | D.L |
| -C +9 | IN ↔ 9 | D.M |
| -C +10 | IN ↔ 10 | D.N |
| -C +11 | IN ↔ 11 | D.O |
| -C +12 | IN ↔ 12 | D.P |

LABEL



SCHEMATIC DIAGRAM

