

Customer Information Sheet

DRAWING No.: M80-754XXX

SHEET 2 OF 2

IF IN DOUBT - ASK



NOT TO SCALE

THIRD ANGLE PROJECTION

ALL DIMENSIONS IN mm

ORDER CODE:

M80-754XXX

TOTAL No. OF WAYS _____

04, 06, 08, 10, 12, 14,
16, 18, 20, 26, 34, 44

FINISH: _____

- 22 - GOLD ON CONTACT AREA
TIN/LEAD ON TAILS
- 42 - GOLD ON CONTACT AREA
100% TIN ON TAILS
- 45 - GOLD

SPECIFICATIONS:

MATERIAL:

MOULDING = POLYAMIDE 46 UL94V-0, BLACK
CONTACTS = PHOSPHOR BRONZE

FINISH:

CONTACTS:

- 22 = 0.75µm GOLD ON CONTACT AREA,
3.0µm 90/10 TIN/LEAD ON TAILS
- 42 = 0.75µm GOLD ON CONTACT AREA,
3.0µm 100% OVER NICKEL TIN ON TAILS
- 45 = 0.75µm GOLD

ELECTRICAL:

CURRENT RATING (25°C) = 3.0A MAX.
CURRENT RATING (85°C) = 2.2A MAX.
WORKING VOLTAGE = 120V AC/DC
VOLTAGE PROOF = 360V AC/DC

CONTACT RESISTANCE:

INITIAL = 20 mΩ MAX.
AFTER CONDITIONING = 25 mΩ MAX.

INSULATION RESISTANCE:

INITIAL = 1000 MΩ MIN.
AFTER CONDITIONING = 100 MΩ MIN.

MECHANICAL:

DURABILITY = 500 OPERATIONS

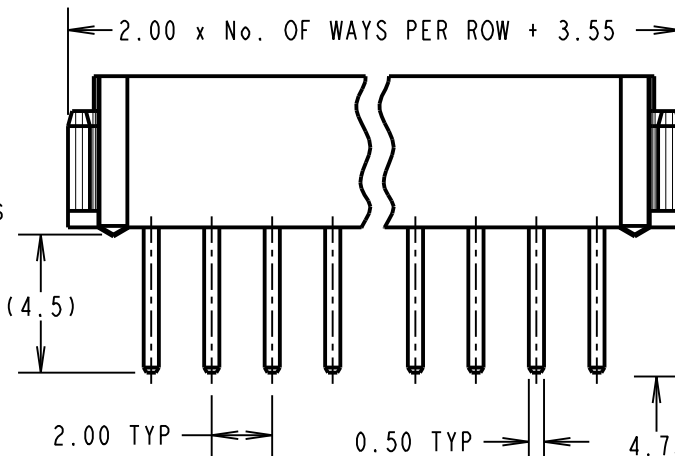
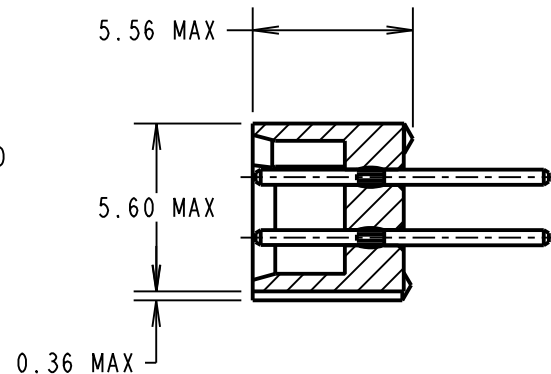
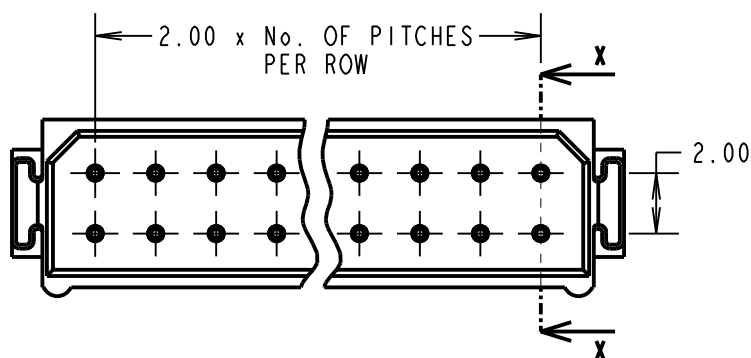
ENVIRONMENTAL:

TEMPERATURE RANGE = -55°C TO +125°C

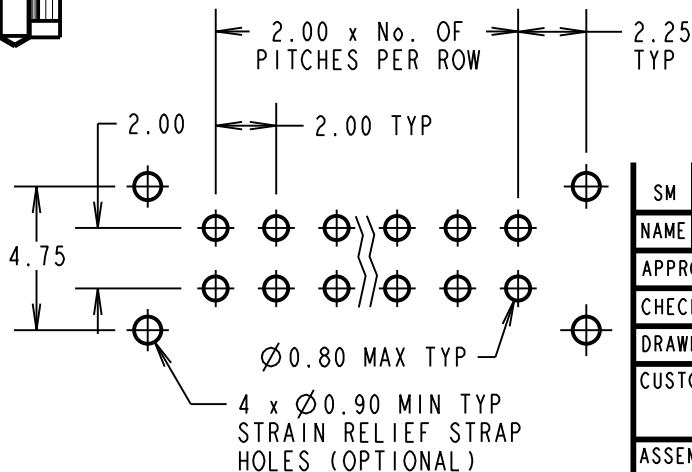
PACKING:

TUBE

FOR COMPLETE SPECIFICATION, SEE COMPONENT SPECIFICATION C005XX (LATEST ISSUE)



RECOMMENDED
PCB LAYOUT



NOTES:

1. 2-OFF STRAIN RELIEF STRAPS
M80-0030006 MAY BE USED
WITH THIS CONNECTOR

SM	3	27.05.11	10832
NAME	ISS.	DATE	C/NOTE
APPROVED: S. MCCULLAGH			
CHECKED: M. G. PLESTED			
DRAWN: JM BROOKES		CUSTOMER REF.:	
ASSEMBLY DRG:			

HARWIN

HARWIN USA
TEL: 603 893 5376
FAX: 603 893 5396
mis@harwin.com

HARWIN Europe (UK)
TEL: 023 9231 4545
FAX: 023 9231 4590
mis@harwin.co.uk

HARWIN Asia
TEL: +65 6 779 4909
FAX: +65 6 779 3868
mis@harwin.com.sg

THIS DRAWING AND ANY INFORMATION OR DESCRIPTIVE MATTER SET OUT HEREON ARE CONFIDENTIAL AND COPYRIGHT PROPERTY OF THE HARWIN GROUP AND MUST NOT BE DISCLOSED, LOANED, COPIED OR USED FOR MANUFACTURING, TENDERING OR FOR ANY OTHER PURPOSE WITHOUT THEIR WRITTEN PERMISSION.

TOLERANCES

X. = ±1mm
X.X = ±0.25mm
X.XX = ±0.10mm
X.XXX = ±0.01mm

ANGLES = ±5°

UNLESS STATED

MATERIAL:

SEE ABOVE

FINISH:

SEE ABOVE

S/AREA:

mm²

TITLE:

DATAMATE DIL
VERTICAL MALE PC TAIL
ASSEMBLY - UNLATCHED

DRAWING NUMBER:

M80-754XXX

SHT

2

OF 2