

I、 Electric Performance

Gas tube 90V 、 230V 、 350V

II、 Material and plating :

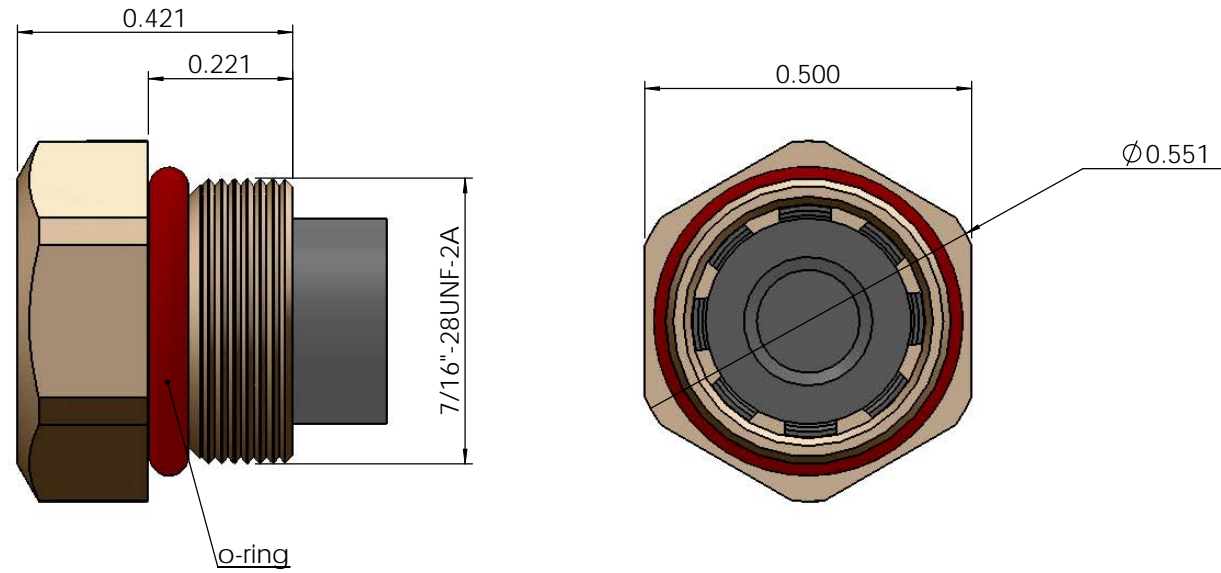
Housing Brass / Spring copper Plating White Bronze2um / Ag5um
O-ring Silicon rubber

III、 Mechanical Performance & Environment

Screw torque 53.1 in-lbs
Temp.range -40℃~+85℃
Weather standard IEC 60068 40 / 085/ 21
ROHS compliant

Gas tube	Times P/N
90V	LP-GTD
230V	LP-GTD-23
350V	LP-GTD-35

Description	
Gas tube replacement kit	
Sheet 1/1	Metric inch



I, Electric Performance

Gas tube 90V 、 230V 、 350V

II, Material and plating :

Housing Brass / Spring copper Plating White Bronze2um / Ag5um
O-ring Silicon rubber

III, Mechanical Performance & Environment

Screw torque 53.1 in-lbs
Temp.range -40°C~+85°C
Weather standard IEC 60068 40 / 085/ 21
ROHS compliant

Gas tube	Times P/N
90V	LP-GT
230V	LP-GT-23
350V	LP-GT-35

Description	
Gas tube replacement kit	
Sheet 1/1	Metric inch