

6

5

4

3

2

1

D

D

C

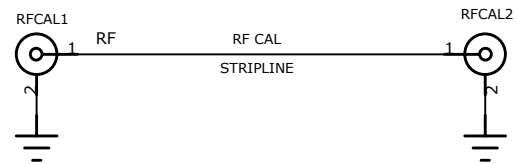
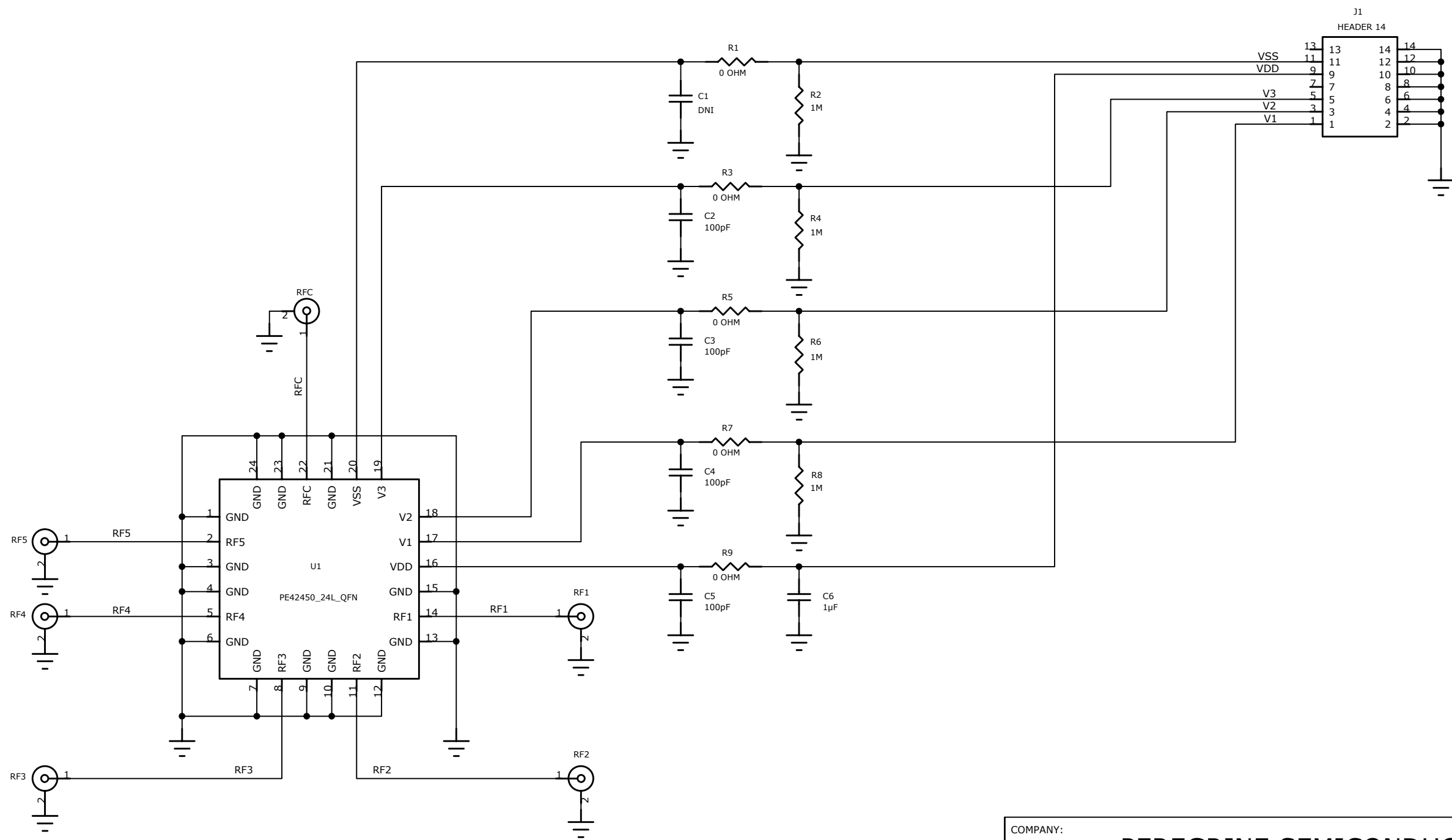
C

B

B

A

A



USE PCB 101-0479-03

COMPANY:				PEREGRINE SEMICONDUCTOR			
TITLE:				SCHEMATIC, PE42450 EVK			
DRAWN:		DATED:		CODE:		DRAWING NO:	
JEFF LUNDY		5-6-10		B		102-0569	
CHECKED:		DATED:		SCALE:		SHEET: 1 of 1	
MATT ALLISON		5-6-10				REV: 04	
QUALITY CONTROL:		DATED:					
RELEASED:		DATED:					

Item	Qty	Reference	Value	Description	Peregrine P/N	Manufacturer	Manufacturer Part Number	Distributor	Distributor Part Number	Data Sheet	Notes
1	4	C2-5	100pF	Capacitor, Ceramic, 100pF, 50V, NP0, ±5%, 0603		Murata	GRM1885C1H101JA01D	Digi-Key	490-1427-2-ND	http://search.digikey.com/scripts/DkSearch/dksus.dll?Detail&name=490-1427-2-ND	
2	1	C1	DNI	Capacitor, Ceramic, DNI, 0603		DNI	DNI	DNI	DNI	DNI	DNI
3	1	C6	1µF	Capacitor, Ceramic, 1µF, 25V, X7R, 0603		Murata	GRM188R71E105KA12D	Digi-Key	490-5307-2-ND	http://search.digikey.com/scripts/DkSearch/dksus.dll?Detail&name=490-5307-2-ND	
4	1	U1	HEADER 14	CONN HEADER, 100 DUAL STR 72POS		Sullins Electronics Corp.	PZC36DABN	Digi-Key	S2021-36-ND	http://rocky.digikey.com/WebLib/Sullins/Web%20Data/PZC36DABN.pdf	Cut to 14 Pin Header, 100
5	1	U1	PE42450_24L_QFN	PE42450_24L_QFN		PEREGRINE SEMICONDUCTOR	PE42450_24L_QFN				
6	5	R1 R3 R5 R7 R9	0 OHM	RESISTOR, 0 OHM, 0603		Panasonic - ECG	0 OHM	Digi-Key	0 OHM		0 OHM
7	4	R2 R4 R6 R8	1M	Resistor, Thick Film Chip, 1M OHM, 1/16W, 5%, 0603		Stackpole Electronics, Inc.	RGC 1/16 T2 1M 0.5% R	Digikey	RG11/16T21MDR-ND	http://www.mouser.com/catalog/specsheets/XC-600033.pdf	
8	8	RF1-5 RFC RFCAL1-2	SMASM	SMA 500 END LAUNCH JACK RECEPTACLE-ROUND CONTACT		Johnson Components Inc.	142-0701-801	Digi-Key	J502-ND	http://rocky.digikey.com/WebLib/Johnson%20Components/Web%20Data/142-0701-801.%20142-0701-806.pdf	
9	1			MICROTEST SOCKET FOR U1							
10	1	PCB REFERENCE		PE42450 EVK PCB	101-0479-03						