

CORSAIR

ELECTRICAL CONNECTORS

MIL-DTL-38999, SERIES I, II & III CIRCULAR CONNECTORS



MIL-DTL-5015 SERIES II & III CIRCULAR CONNECTORS



MIL-DTL-26482 SERIES 2 CIRCULAR CONNECTORS



AIRCRAFT EXTERNAL POWER RECEPTACLES

MS90362



MS3506-1



CORSAIR ELECTRICAL CONNECTORS

17100 Murphy Ave. | Irvine, California 92614

Phone: 949-833-0273 | Fax: 949-833-0280 | Web: www.corsairelectricalconnectors.com

Welcome to Corsair Electrical Connectors



Located in Irvine, California, we offer a “total concept” organizational interface to serve our customers with “on time” quality products. The principle management team has over 75 years of engineering and manufacturing experience in the connector field. This “know how” is particularly strong in those connector applications utilized by our Military, Commercial Aircraft, and the Aerospace Industry.

Our company name and logo was chosen as a reflection of the success, reliability, performance of the renowned F4U fighter, and our commitment to customer service.

We look forward to the opportunity to serve you with our qualified products.

The Vought F4U Corsair



This famous World War II fighter was first ordered by the Navy in June 1938, and also saw active service during the Korean War. There were over 12,500 aircraft manufactured, with production ending in January 1952. It was easily recognizable by its unique inverted gull wing, necessary for sufficient ground clearance required by the large propeller.

Over the years, seven configurations were manufactured, designated F4U through F4U-7. The aircraft saw service with Navy and Marine squadrons, and was also utilized by the Royal Navy, where various modifications were made to improve the aircraft for carrier use.

A few are still flying in the hands of enthusiasts, or on display at various air museums, including the Smithsonian.

BASIC SPECIFICATIONS

Dimensions

Length: 33 feet, 8 inches
Wingspan: 40 feet, 11 inches
Height: 14 feet, 9 inches

Performance

Max speed: 446 mph
Range: 2005 miles
Weight (empty): 9205 lbs.

Armament

Six of 50 caliber machine guns.
Optional eight rockets, or 2000 lb
bomb load

Powerplant

Pratt & Whitney R-2800-18W
Double Wasp engine
2450 hp output

**Note: This
Catalog
Is For
Reference
Only**

TABLE OF CONTENTS

MILITARY CIRCULAR CONNECTORS

MIL-DTL-38999, SERIES I (MS274 SERIES).....Pages 3 to 9**

Utilizes Rear Release contact retention, in 9 shell sizes (9 to 25), in a variety of insert arrangements and contact sizes, (22D, 22M, 22, 16, 12, 8, 4 and 0 gage). Bayonet coupling mechanism, Scoop Proof: polarization accomplished by Shell rotation.

MIL-DTL-38999, SERIES II (MS274 SERIES).....Pages 10 to 20**

Utilizes Rear release contact retention, in 9 shell sizes (8 to 24), in a variety of insert arrangements and contact sizes, (22D, 22M, 22, 16, 12, 8, 4 and 0 gage). Bayonet coupling mechanism, Scoop Proof: polarization accomplished by Shell rotation.

MIL-DTL-38999, (SERIES III)Pages 21 to 38

Utilizes Rear release contact retention, in 9 shell sizes (A to J), in a variety of insert arrangements and contact sizes, (22D, 22M, 22, 16, 12, 8, 4 and 0 gage). Triple Start Threaded coupling mechanism: polarization accomplished by Shell rotation.

AS50151 (MIL-DTL-5015) II (MS3400 SERIES).....Pages 39 to 60

Utilizes Front Release contact retention, in 12 shell sizes (8 to 40), in a variety of insert arrangements and contact sizes, (16, 12, 8, and 4 gage). Threaded coupling mechanism: polarization accomplished by insert rotation.



TABLE OF CONTENTS

MILITARY CIRCULAR/RECTANGULAR CONNECTORS

AS50151 (MIL-DTL-5015) II (MS3450 SERIES)..... Pages 61 to 81

Utilizes Rear Release contact retention, in 12 shell sizes (8 to 40), in a variety of insert arrangements and contact sizes, (16, 12, 8, and 4 gage). Threaded coupling mechanism: polarization accomplished by insert rotation.

MIL-DTL-26482 2 (MS3470 SERIES)..... Pages 82 to 90

Utilizes Rear Release contact retention, in 9 shell sizes (8 to 24), in a variety of insert arrangements and contact sizes, (20, 16 and 12 gage). Bayonet coupling mechanism: polarization accomplished by insert rotation.

AIRCRAFT EXTERNAL POWER RECEPTACLES..... Pages 91 to 95

MS 90362 Series Connector Receptacle, Aircraft, External power, Shield and Cover Included. 115 / 200 Volt, 400 Hertz, 6 pin
MS 3505 Cover for use with MS 90362-1 and MS 90362-4
MS 17845 Shield for use with MS 90362 Series
MS 3506-1 Connector Receptacle, Aircraft, External power, 28 Volt DC operating power, 3 pin

SUPPORTING INFORMATION

CONTACT AND ASSEMBLY TOOLING INFORMATION Pages 96 to 101

APPLICABLE MANUFACTURING PROCESS FINISHES Pages 102 to 103

MIL-DTL-38999

SERIES I



MILITARY PREFIX MS27 466 A 25 A 16 P W

CORSAIR PREFIX CJ08 66 A 25 A 16 P W

CONNECTOR CONFIGURATION

- 27466 (66) RECEPTACLE, WALL MOUNT
- 27467 (67) PLUG, STANDARD
- 27468 (68) RECEPTACLE, JAM NUT MOUNT
- 27496 (96) RECEPTACLE, BOX MOUNT
- 27505 (05) RECEPTACLE, BACK PANEL BOX MTG
- 27656 (56) RECEPTACLE, BACK PANEL WALL MOUNT

CLASS

- E ENVIRONMENTAL RESISTING-BOX AND THRU-BULKHEAD MOUNTING RECEPTACLE TYPES
- T ENVIRONMENTAL RESISTING-BOX AND JAM NUT MOUNTING RECEPTACLE AND PLUG TYPES

SHELL SIZE

9, 11, 13, 15, 17, 19, 21, 23 AND 25

FINISHES

- A SILVER/YELLOW CADMIUM OVER NICKEL (CONDUCTIVE)
- B OLIVE DRAB CADMIUM OVER A SUITABLE UNDERPLATE (CONDUCTIVE)
- C ANODIC (NON CONDUCTIVE)
- F ELECTROLESS NICKEL (CONDUCTIVE)
- T NICKEL FLOUROCARBON POLYMER (CONDUCTIVE)
- Z ZINC NICKEL (CONDUCTIVE)

INSERT ARRANGEMENT

REFER TO LAYOUT PATTERNS PER MIL-DTL-1560

CONTACT TYPE

- P PIN
- S SOCKET
- A CONNECTOR LESS PINS
- B CONNECTOR LESS SOCKETS

POLARIZATION

N NORMAL (NOT INCLUDED IN PART NUMBER)
 W, X, Y, OR Z ALTERNATE POSITIONS, REFER TO POLARIZATION CHART

GENERAL SPECIFICATIONS

REAR RELEASE CONTACT RETENTION SYSTEM. 9 SHELL SIZES (9 TO 25) IN OVER 150 INSERT ARRANGEMENTS UTILIZING CONTACT SIZES 22D, 20, 16, 12, 8, 4, AND 0 GAGE CRIMP CONTACTS PER AS39029. USES BAYONET COUPLING MECHANISM. ACCEPTS AS85049 BACKSHELLS

USES HIGH RELIABILITY METAL CONTACT RETENTION CLIPS

OPERATING TEMPERATURE RANGE:

ALUMINIUM: -65° C TO 175° C
 STAINLESS STEEL: -65° C TO 200° C

ENVIRONMENTAL FLOUROSILOCONE ELASTOMERS

REFER TO ADDITIONAL CONTACT AND TOOLING INFORMATION

TOLERANCE
 XX ± .010
 .XXX ± .005
 ANGLES ± 1°

TITLE
 MIL-DTL-38999, REAR RELEASE, SERIES I, CORSAIR PART NUMBER CROSS REFERENCE

SHEET
 1 OF 1

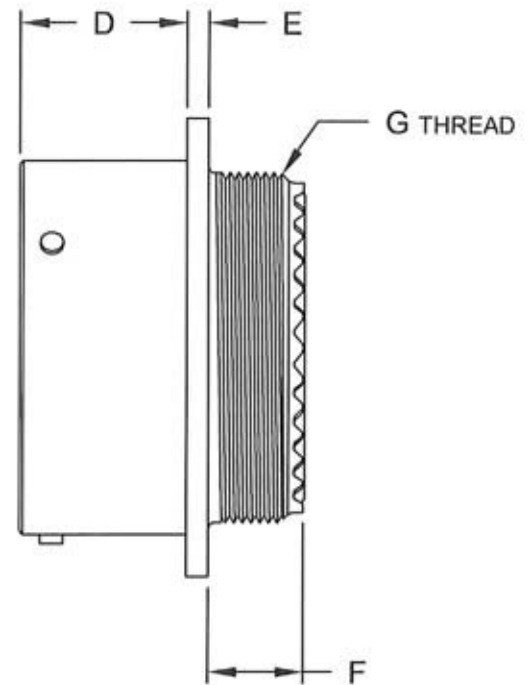
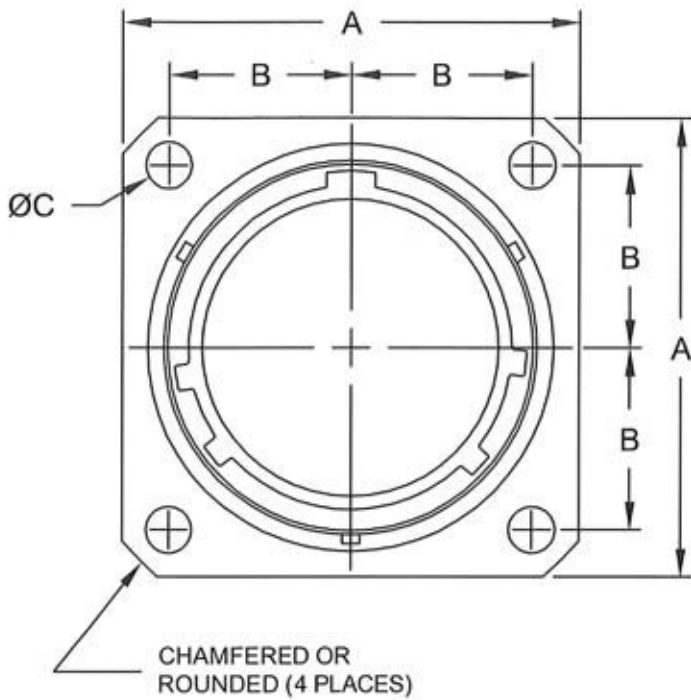
DWG. NO.
 M38999

REV
 -

<http://www.corsairelectricalconnectors.com> (949) 833-0273

MS27466

MIL-DTL-38999 SERIES I



Shell Size	G Thread Class 2A	A Max.	B	C Dia. +.010 -.005	D +.000 -.005	E +.015 -.000	F (Class E) Max.	F (Class P) Max.	F (Class T) Max.
9	.4375-28 UNEF	.938	.3595	.128	.632	.085	.531	.953	.531
11	.5625-24 UNEF	1.031	.406	.128	.632	.085	.531	.953	.531
13	.6875-24 UNEF	1.125	.453	.128	.632	.085	.531	.953	.531
15	.8125-20 UNEF	1.219	.4845	.128	.632	.085	.531	.953	.531
17	.9375-20 UNEF	1.312	.531	.128	.632	.085	.531	.953	.531
19	1.0625-18 UNEF	1.438	.578	.128	.632	.085	.531	.953	.531
21	1.1875-18 UNEF	1.562	.625	.128	.602	.115	.531	1.047	.531
23	1.3125-18 UNEF	1.688	.6875	.147	.602	.115	.531	1.047	.531
25	1.4375-18 UNEF	1.812	.750	.147	.602	.115	.531	1.156	.531

TOLERANCE
XX ± .010
.XXX ± .005
ANGLES ± 1°

TITLE
CONNECTORS, ELECTRICAL, RECEPTACLE, WALL MOUNT,
FLANGE, BAYONET COUPLING, CRIMP CONTACTS,
MIL-DTL-38999, SERIES I

SHEET
1 OF 1

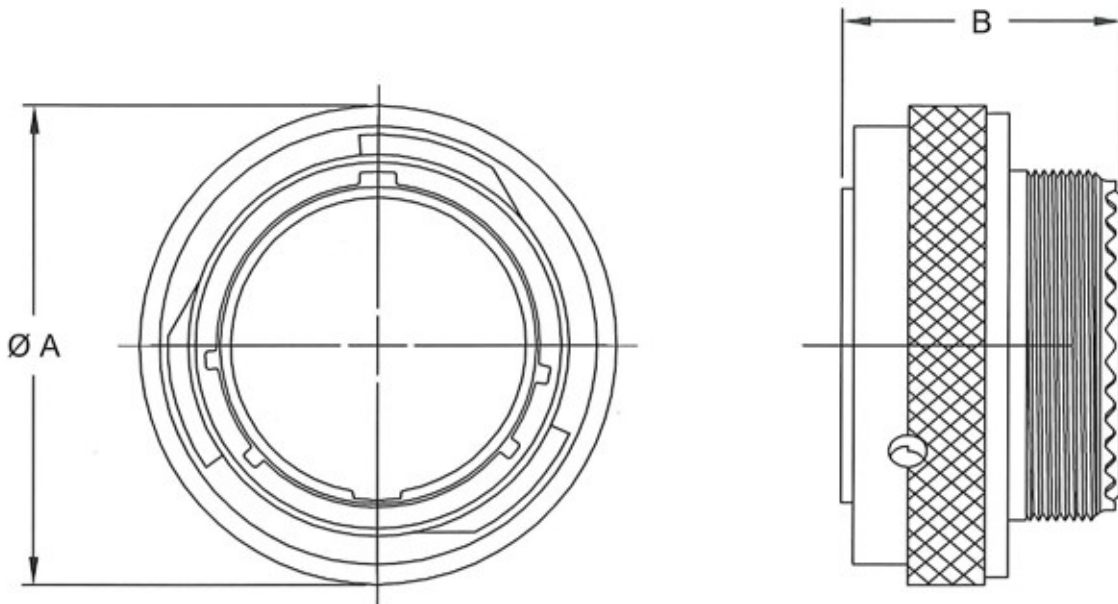
DWG. NO.
MS27466

REV
-

<http://www.corsairelectricalconnectors.com> (949) 833-0273

MS27467

MIL-DTL-38999 SERIES I



Shell Size	A Dia. Max.	B (Class E)	B (Class P)	B (Class T)
9	.859	1.234	1.671	1.234
11	.984	1.234	1.671	1.234
13	1.156	1.234	1.671	1.234
15	1.281	1.234	1.671	1.234
17	1.406	1.234	1.671	1.234
19	1.516	1.234	1.671	1.234
21	1.641	1.234	1.766	1.234
23	1.766	1.234	1.766	1.234
25	1.891	1.234	1.766	1.234

TOLERANCE
 XX ± .010
 .XXX ± .005
 ANGLES ± 1°

TITLE
 CONNECTORS, ELECTRICAL, PLUG, STRAIGHT, BAYONET
 COUPLING, CRIMP CONTACTS, SERIES I, MIL-DTL-38999

SHEET
 1 OF 1

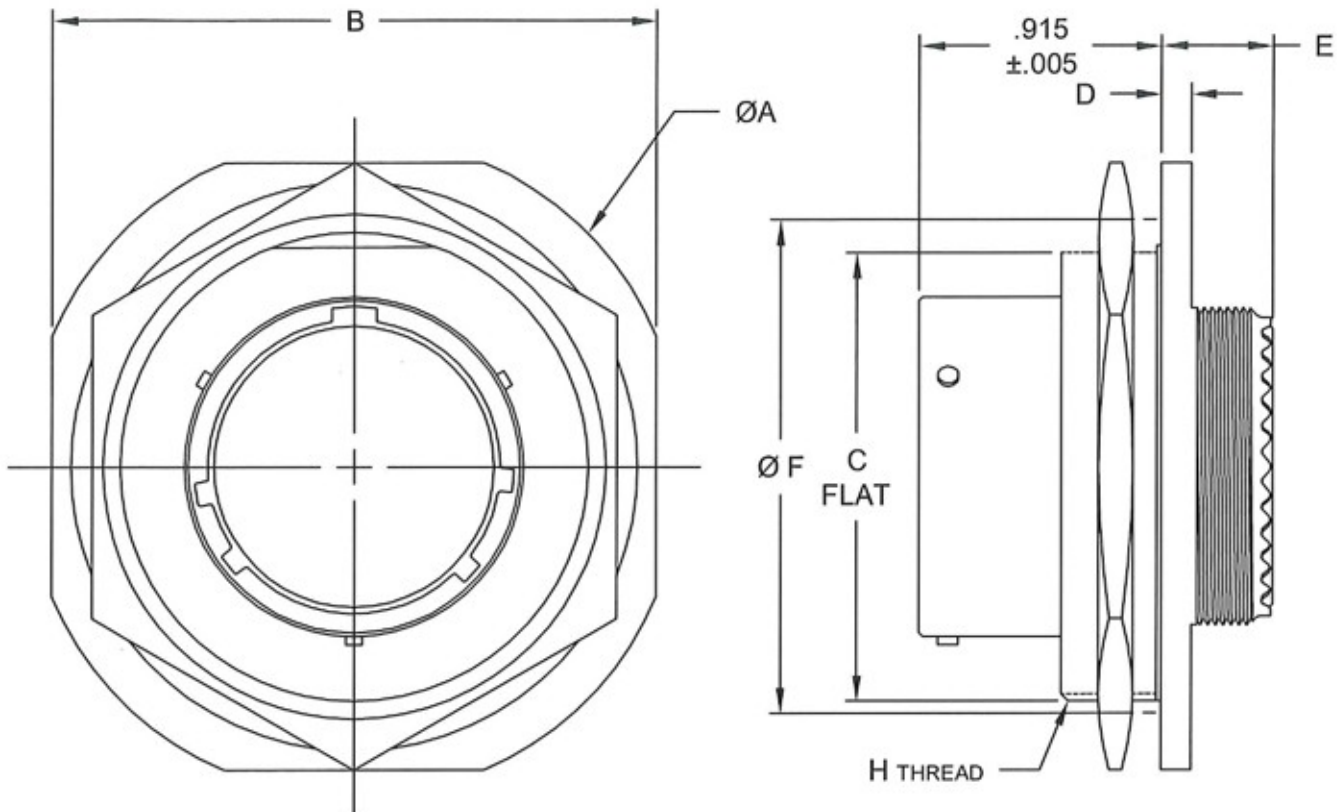
DWG. NO.
 MS27467

REV
 -

<http://www.corsairelectricalconnectors.com> (949) 833-0273

MS27468

MIL-DTL-38999 SERIES I



Shell Size	H Thread Class 2A Plated	A Dia. $\pm .016$	B $\pm .016$	C $+ .000$ $- .010$	D $+ .011$ $- .010$	E (Class E) Max.	E (Class P) Max.	E (Class T) Max.	F Dia. $+ .006$ $- .005$
9	.6875-24 UNEF	1.188	1.062	.655	.109	.328	.438	.328	.777
11	.8125-20 UNEF	1.375	1.250	.755	.109	.328	.438	.328	.965
13	1.0000-18 UNEF	1.500	1.375	.942	.109	.328	.438	.328	1.090
15	1.1250-18 UNEF	1.625	1.500	1.066	.109	.328	.438	.328	1.215
17	1.2500-18 UNEF	1.750	1.625	1.191	.109	.328	.438	.328	1.340
19	1.3750-18 UNEF	1.938	1.812	1.316	.140	.328	.469	.328	1.449
21	1.5000-18 UNEF	2.062	1.938	1.441	.140	.328	.469	.328	1.574
23	1.6250-18 UNEF	2.188	2.062	1.566	.140	.328	.469	.328	1.699
25	1.7500-18 UNS	2.312	2.188	1.691	.140	.328	.469	.328	1.824

TOLERANCE
XX $\pm .010$
.XXX $\pm .005$
ANGLES $\pm 1^\circ$

TITLE
CONNECTORS, ELECTRICAL, RECEPTACLE, JAM NUT,
MOUNTING, BAYONET COUPLING, CRIMP CONTACTS,
MIL-DTL-38999, SERIES I

SHEET
1 OF 1

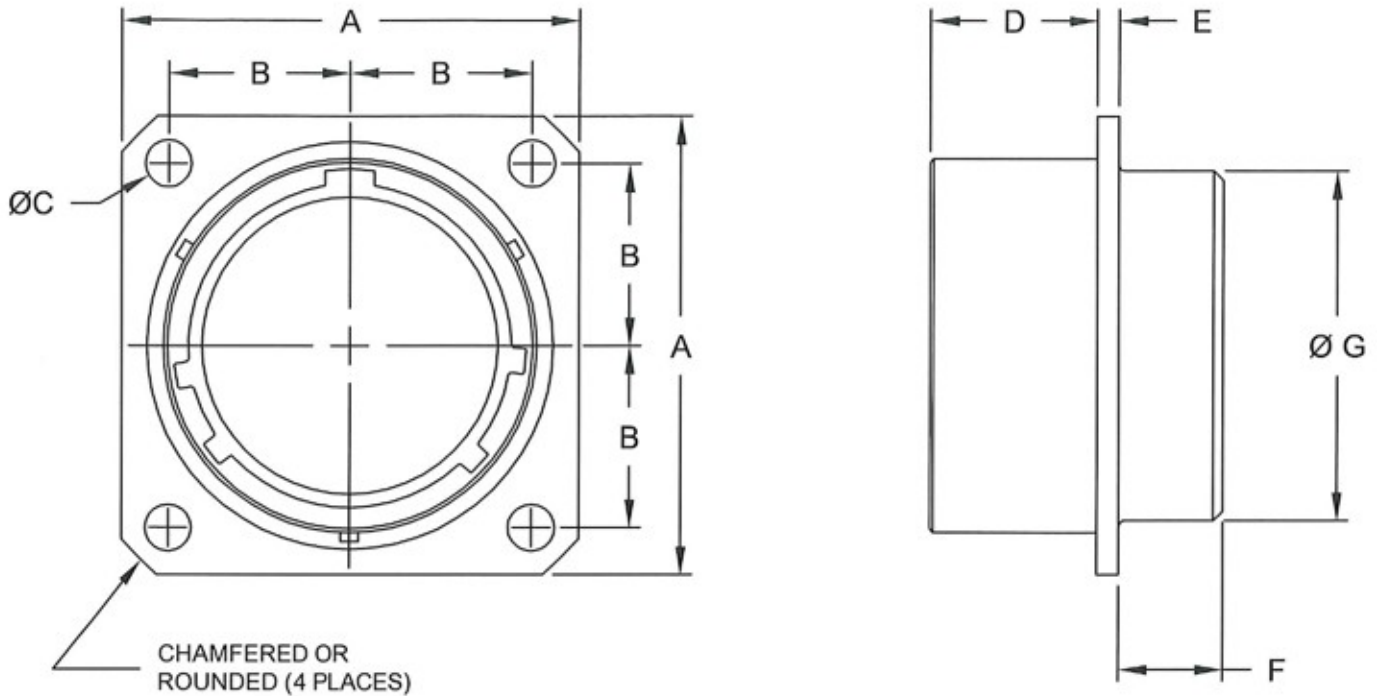
DWG. NO.
MS27468

REV
-

<http://www.corsairelectricalconnectors.com> (949) 833-0273

MS27496

MIL-DTL-38999 SERIES I



Shell Size	A ±.020	B	C Dia. +.010 -0.005	D +.000 -.005	E +.015 -.000	F Max.	G Dia. Max.
9	.938	.3595	.128	.632	.085	.312	.469
11	1.031	.406	.128	.632	.085	.312	.594
13	1.125	.453	.128	.632	.085	.312	.719
15	1.219	.4845	.128	.632	.085	.312	.844
17	1.312	.531	.128	.632	.085	.312	.969
19	1.438	.578	.128	.632	.085	.312	1.078
21	1.562	.625	.128	.602	.115	.312	1.203
23	1.688	.6875	.147	.602	.115	.312	1.328
25	1.812	.750	.147	.602	.115	.312	1.453

TOLERANCE
 XX ± .010
 .XXX ± .005
 ANGLES ± 1°

TITLE
 CONNECTORS, ELECTRICAL, RECEPTACLE, BOX MOUNT,
 FLANGE, BAYONET COUPLING, CRIMP CONTACTS,
 MIL-DTL-38999, SERIES I

SHEET
 1 OF 1

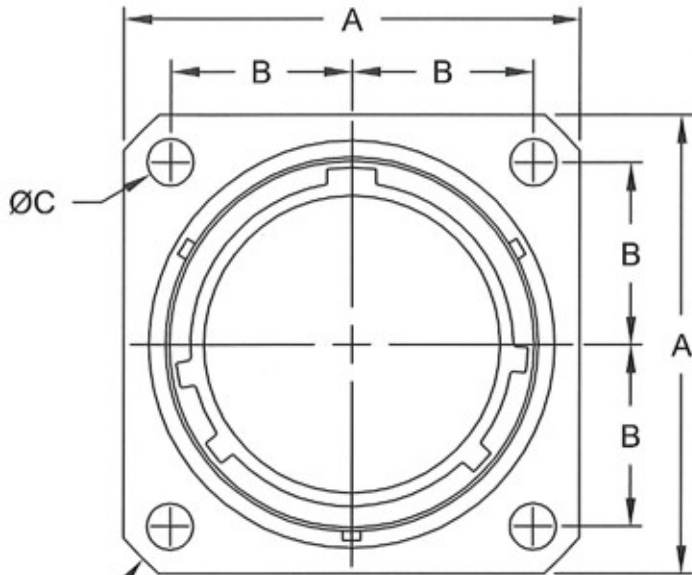
DWG. NO.
 MS27496

REV
 -

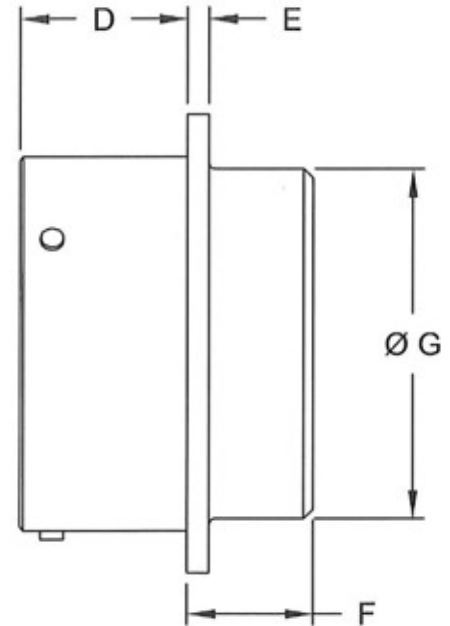
<http://www.corsairelectricalconnectors.com> (949) 833-0273

MS27505

MIL-DTL-38999 SERIES I



CHAMFERED OR
ROUNDED (4 PLACES)



Shell Size	A ±.020	B	C Dia. +.010 -0.005	D +.000 -.005	E +.015 -.000	F Max.	G Dia. Max.
9	.938	.3595	.128	.820	.085	.219	.547
11	1.031	.406	.128	.820	.085	.219	.656
13	1.125	.453	.128	.820	.085	.219	.828
15	1.219	.4845	.128	.820	.085	.219	.953
17	1.312	.531	.128	.820	.085	.219	1.078
19	1.438	.578	.128	.820	.085	.219	1.203
21	1.562	.625	.128	.790	.115	.250	1.328
23	1.688	.6875	.128	.790	.115	.250	1.453
25	1.812	.750	.147	.790	.115	.250	1.578

TOLERANCE
XX ± .010
.XXX ± .005
ANGLES ± 1°

TITLE
CONNECTORS, ELECTRICAL, RECEPTACLE, BACK PANEL,
BOX MOUNT, FLANGE, BAYONET COUPLING, CRIMP
CONTACTS, MIL-DTL-38999, SERIES I

SHEET
1 OF 1

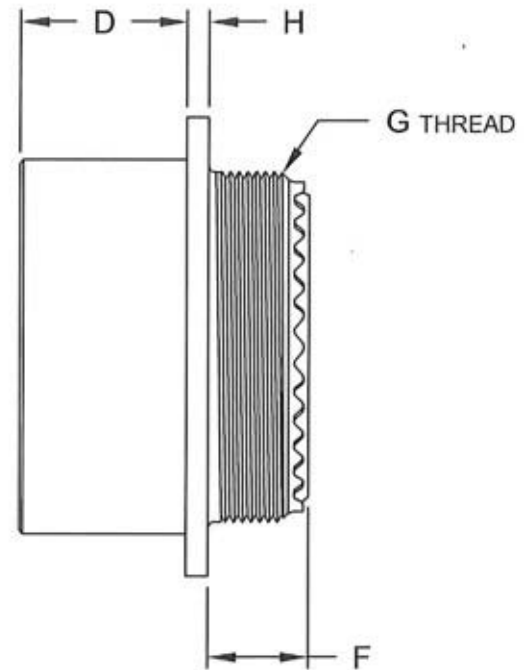
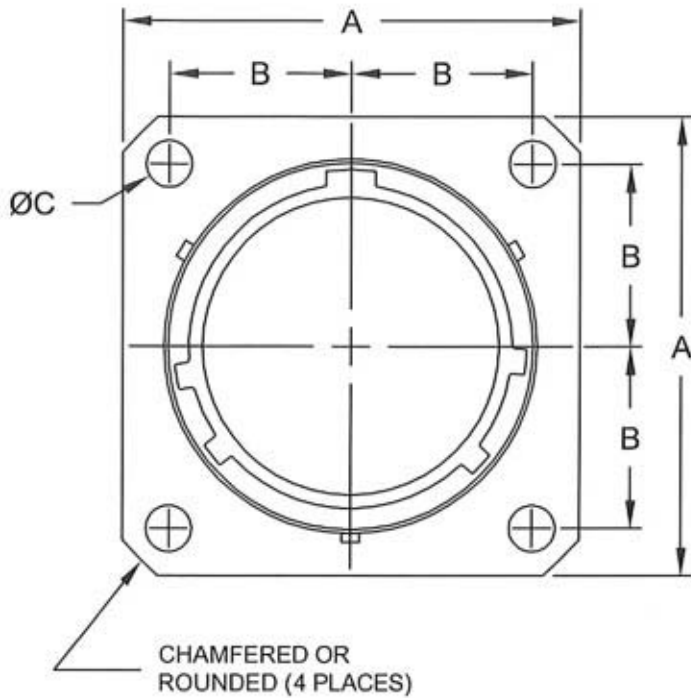
DWG. NO.
MS27505

REV
-

<http://www.corsairelectricalconnectors.com> (949) 833-0273

MS27656

MIL-DTL-38999 SERIES I



Shell Size	G Thread Class 2A	A +/- .020	B	C Dia. +.010 -.005	D +.000 -.005	F (Class E) Max.	F (Class P) Max.	F (Class T) Max.	H +.015 -.000
9	.4375-28 UNEF	.938	.3595	.128	.820	.469	.719	.469	.085
11	.5625-24 UNEF	1.031	.406	.128	.820	.469	.719	.469	.085
13	.6875-24 UNEF	1.125	.453	.128	.820	.469	.719	.469	.085
15	.8125-20 UNEF	1.219	.4845	.128	.820	.469	.719	.469	.085
17	.9375-20 UNEF	1.312	.531	.128	.820	.469	.719	.469	.085
19	1.0625-18 UNEF	1.438	.578	.128	.820	.469	.719	.469	.085
21	1.1875-18 UNEF	1.562	.625	.128	.790	.500	.750	.500	.115
23	1.3125-18 UNEF	1.688	.6875	.147	.790	.500	.750	.500	.115
25	1.4375-18 UNEF	1.812	.750	.147	.790	.500	.750	.500	.115

TOLERANCE
XX ± .010
.XXX ± .005
ANGLES ± 1°

TITLE
CONNECTORS, ELECTRICAL, RECEPTACLE, WALL MOUNT,
BACK PANEL, BAYONET COUPLING CRIMP CONTACTS,
MIL-DTL-38999, SERIES I

SHEET
1 OF 1

DWG. NO.
MS27656

REV

-

<http://www.corsairelectricalconnectors.com> (949) 833-0273

MIL-DTL-38999

SERIES II



MILITARY PREFIX MS27 472 E 24 A 16 P W

CORSAIR PREFIX CJ13 72 E 24 A 16 P W

CONNECTOR CONFIGURATION

- 27472 (72) RECEPTACLE, WALL MOUNT
- 27473 (73) PLUG, STANDARD
- 27474 (74) RECEPTACLE, JAM NUT MOUNT
- 27484 (84) PLUG, RFI, STANDARD
- 27497 (97) RECEPTACLE, WALL MOUNT
- 27499 (99) RECEPTACLE, BOX MOUNT
- 27508 (08) RECEPTACLE, BOX MOUNT, FLANGE
- 27513 (13) RECEPTACLE, BOX MOUNT, LONG GROMMET

CLASS

- E ENVIRONMENTAL RESISTING-BOX AND THRU-BULKHEAD MOUNTING RECEPTACLE TYPES
- T ENVIRONMENTAL RESISTING-BOX AND JAM NUT MOUNTING RECEPTACLE AND PLUG TYPES

SHELL SIZE

8, 10, 12, 14, 16, 18, 20, 22, AND 24

FINISHES

- A SILVER/YELLOW CADMIUM OVER NICKEL (CONDUCTIVE)
- B OLIVE DRAB CADMIUM OVER A SUITABLE UNDERPLATE (CONDUCTIVE)
- C ANODIC (NON CONDUCTIVE)
- F ELECTROLESS NICKEL (CONDUCTIVE)
- T NICKEL FLOUROCARBON POLYMER (CONDUCTIVE)
- Z ZINC NICKEL (CONDUCTIVE)

INSERT ARRANGEMENT

REFER TO LAYOUT PATTERNS PER MIL-DTL-1560

CONTACT TYPE

- P PIN
- S SOCKET
- A CONNECTOR LESS PINS
- B CONNECTOR LESS SOCKETS

POLARIZATION

N NORMAL (NOT INCLUDED IN PART NUMBER)
 W, X, Y, OR Z ALTERNATE POSITIONS, REFER TO POLARIZATION CHART

GENERAL SPECIFICATIONS

REAR RELEASE CONTACT RETENTION SYSTEM. 9 SHELL SIZES (8 TO 24) IN OVER 150 INSERT ARRANGEMENTS UTILIZING CONTACT SIZES 22D, 20, 16, 12, 8, 4, AND 0 GAGE CRIMP CONTACTS PER AS39029. USES BAYONET COUPLING MECHANISM. ACCEPTS AS85049 BACKSHELLS

USES HIGH RELIABILITY METAL CONTACT RETENTION CLIPS

OPERATING TEMPERATURE RANGE:

ALUMINIUM: -65° C TO 175° C
 STAINLESS STEEL: -65° C TO 200° C

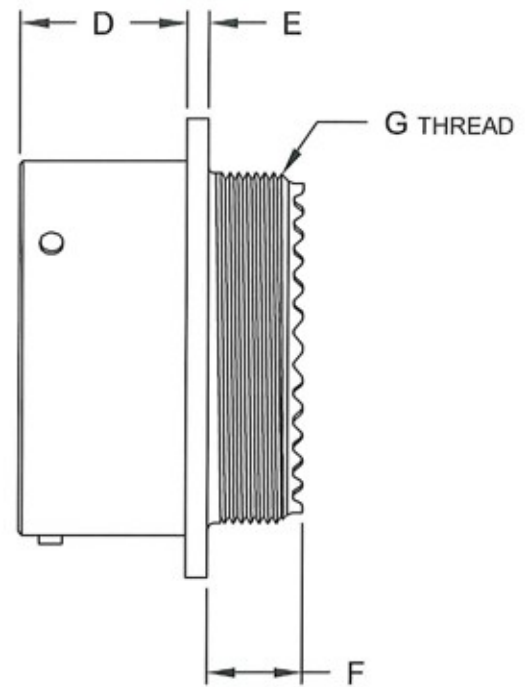
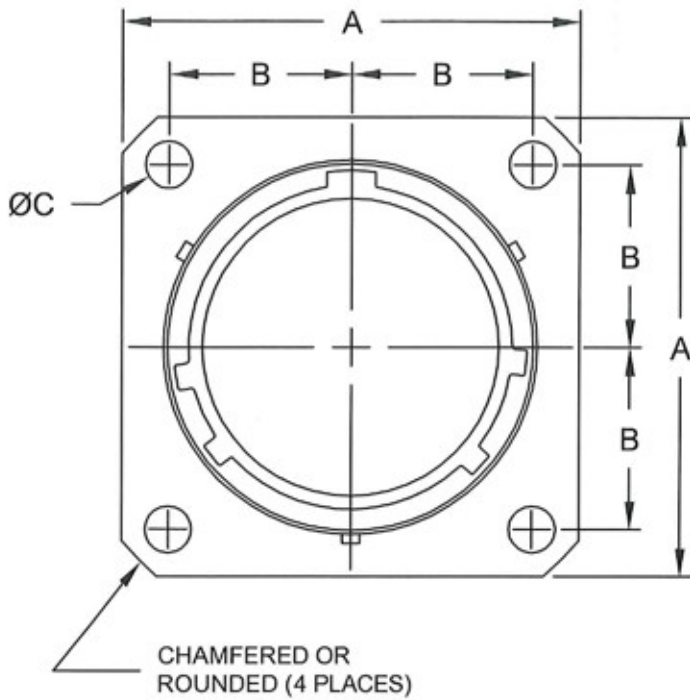
ENVIRONMENTAL FLOUROSILICONE ELASTOMERS

REFER TO ADDITIONAL CONTACT AND TOOLING INFORMATION

TOLERANCE XX ± .010 .XXX ± .005 ANGLES ± 1°	TITLE MIL-DTL-38999, REAR RELEASE, SERIES II, CORSAIR PART NUMBER CROSS REFERENCE	SHEET	DWG. NO.	REV
		1 OF 1	M38999	-
http://www.corsairelectricalconnectors.com (949) 833-0273				

MS27472

MIL-DTL-38999 SERIES II



Shell Size	G Thread Class 2 A	A Max.	B	C Dia.	D +.000 -.005	E +.011 -.000	F (Class E) Max.	F (Class P) Max.	F (Class T) Max.
8	.4375-28 UNEF	.828	.297	.120	.322	.058	.562	.641	.391
10	.5625-24 UNEF	.954	.3595	.120	.322	.058	.562	.641	.391
12	.6875-24 UNEF	1.047	.406	.120	.322	.058	.562	.641	.391
14	.8125-20 UNEF	1.141	.453	.120	.322	.058	.562	.641	.391
16	.9375-20 UNEF	1.234	.4845	.120	.322	.058	.562	.641	.391
18	1.0625-18 UNEF	1.328	.531	.120	.322	.058	.562	.641	.391
20	1.1875-18 UNEF	1.453	.578	.120	.322	.058	.562	.641	.391
22	1.3125-18 UNEF	1.578	.625	.120	.322	.058	.562	.641	.391
24	1.4375-18 UNEF	1.703	.6875	.147	.322	.058	.562	.703	.469

TOLERANCE
XX ± .010
.XXX ± .005
ANGLES ± 1°

TITLE
CONNECTORS, ELECTRICAL, RECEPTACLE, WALL MOUNT,
FLANGE, BAYONET COUPLING, CRIMP CONTACTS,
MIL-DTL-38999, SERIES II

SHEET
1 OF 1

DWG. NO.
MS27472

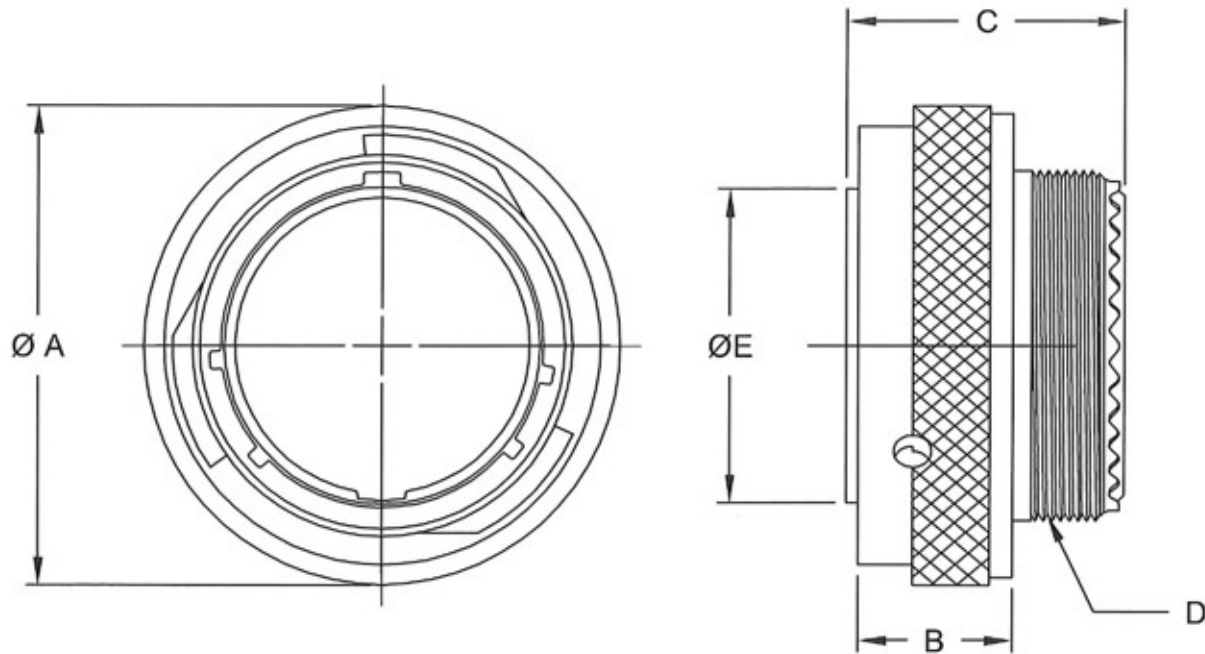
REV

-

<http://www.corsairelectricalconnectors.com> (949) 833-0273

MS27473

MIL-DTL-38999 SERIES II



Shell Size	D thread Class 2A	A Dia. +.005 -.006	B $\pm .015$	C (Class E) Max.	C (Class P) Max.	C (Class T) Max.
8	.4375-28 UNEF	.750	.547	1.026	1.020	.766
10	.5625-24 UNEF	.859	.547	1.026	1.020	.766
12	.6875-24 UNEF	1.031	.547	1.026	1.020	.766
14	.8125-20 UNEF	1.156	.547	1.026	1.020	.766
16	.9375-20 UNEF	1.281	.547	1.026	1.020	.766
18	1.0625-18 UNEF	1.406	.547	1.026	1.020	.766
20	1.1875-18 UNEF	1.531	.524	1.026	1.020	.766
22	1.3125-18 UNEF	1.641	.524	1.026	1.020	.766
24	1.4375-18 UNEF	1.766	.575	1.104	1.080	.844

TOLERANCE
XX $\pm .010$
.XXX $\pm .005$
ANGLES $\pm 1^\circ$

TITLE
CONNECTORS, ELECTRICAL, PLUG, STRAIGHT, BAYONET
COUPLING, CRIMP CONTACTS,
SERIES II, MIL-DTL-38999

SHEET
1 OF 1

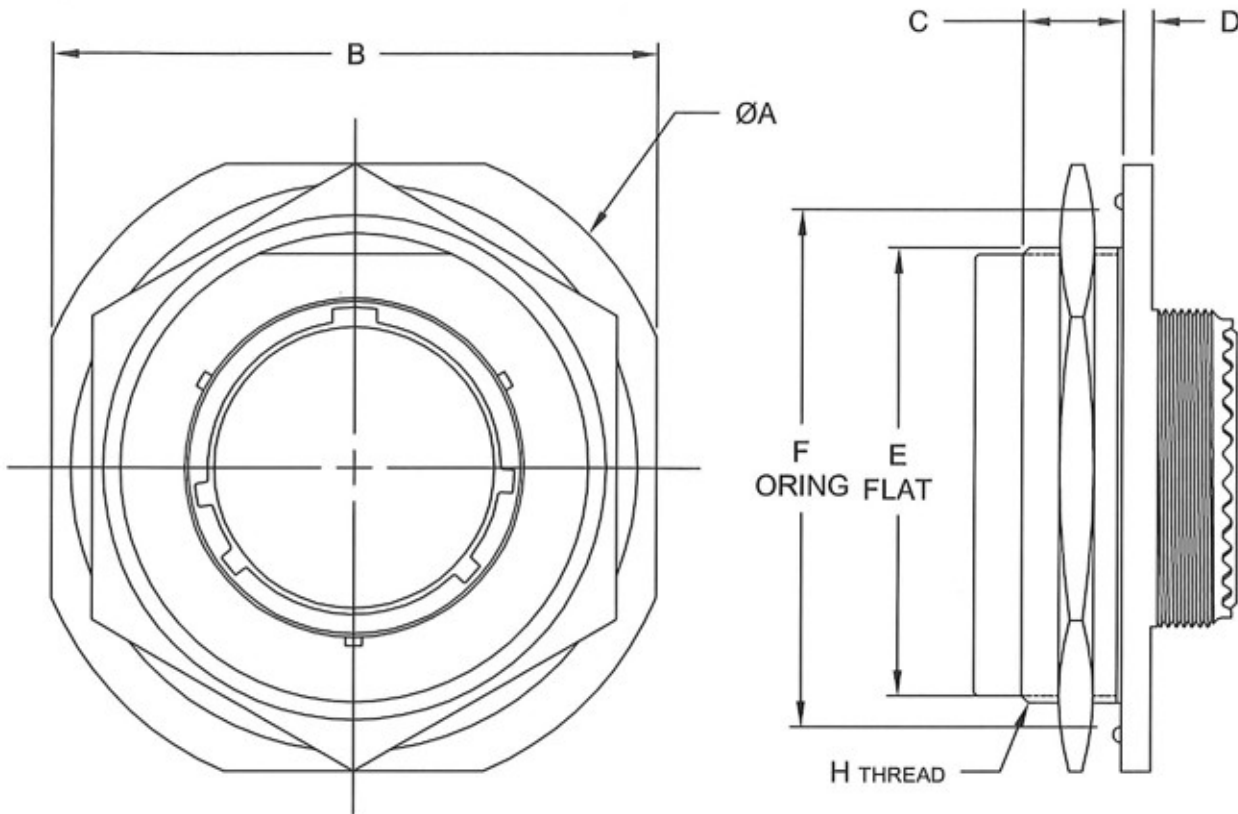
DWG. NO.
MS27473

REV
-

<http://www.corsairelectricalconnectors.com> (949) 833-0273

MS27474

MIL-DTL-38999 SERIES II



Shell Size	H Thread Class 2A Plated	A Dia. $\pm .016$	B $\pm .016$	C $\pm .005$	D $+ .011$ $- .010$	E $+ .001$ $- .006$	F Dia. $+ .006$ $- .005$
8	.875-20 UNEF	1.375	1.250	.438	.094	.817	.965
10	1.000-20 UNEF	1.500	1.375	.438	.094	.941	1.090
12	1.125-18 UNEF	1.625	1.500	.438	.094	1.065	1.215
14	1.250-18 UNEF	1.750	1.625	.438	.094	1.190	1.340
16	1.375-18 UNEF	1.938	1.781	.438	.094	1.320	1.477
18	1.500-18 UNEF	2.016	1.890	.438	.094	1.440	1.602
20	1.625-18 UNEF	2.141	2.016	.464	.094	1.565	1.727
22	1.750-18 UNS	2.265	2.140	.464	.094	1.690	1.852
24	1.875-18 UN	2.390	2.265	.464	.094	1.815	1.977

TOLERANCE
 XX $\pm .010$
 .XXX $\pm .005$
 ANGLES $\pm 1^\circ$

TITLE
 CONNECTORS, ELECTRICAL, RECEPTACLE, JAM NUT,
 MOUNTING, BAYONET COUPLING, CRIMP CONTACTS,
 MIL-DTL-38999, SERIES II

SHEET
 1 OF 1

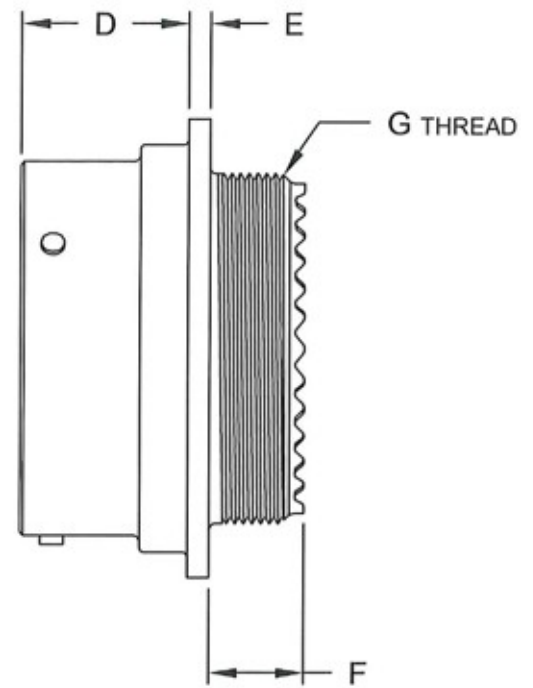
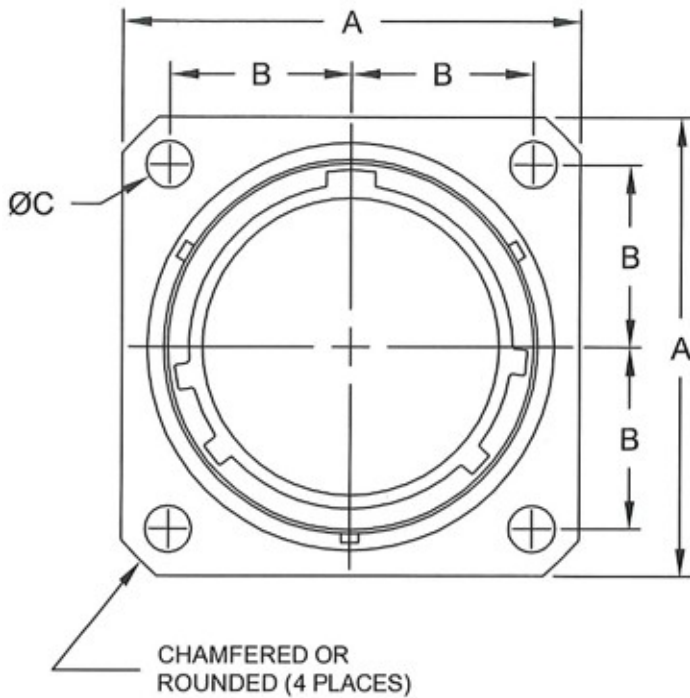
DWG. NO.
 MS27474

REV
 -

<http://www.corsairelectricalconnectors.com> (949) 833-0273

MS27479

MIL-DTL-38999 SERIES II



Shell Size	G Thread Class 2 A	A Max.	B	C Dia. +.010 -.005	D +.000 -.005	E +.011 -.000	F (Class E) Max.	F (Class P) Max.	F (Class T) Max.
8	.4375-28 UNEF	.828	.297	.120	.322	.058	.562	.641	.391
10	.5625-24 UNEF	.954	.3595	.120	.322	.058	.562	.641	.391
12	.6875-24 UNEF	1.047	.406	.120	.322	.058	.562	.641	.391
14	.8125-20 UNEF	1.141	.453	.120	.322	.058	.562	.641	.391
16	.9375-20 UNEF	1.234	.4845	.120	.322	.058	.562	.641	.391
18	1.0625-18 UNEF	1.328	.531	.120	.322	.058	.562	.641	.391
20	1.1875-18 UNEF	1.453	.578	.120	.322	.058	.562	.641	.391
22	1.3125-18 UNEF	1.578	.625	.120	.322	.058	.562	.641	.391
24	1.4375-18 UNEF	1.703	.6875	.147	.322	.058	.562	.703	.469

TOLERANCE
XX ± .010
.XXX ± .005
ANGLES ± 1°

TITLE
CONNECTORS, ELECTRICAL, RECEPTACLE, WALL MOUNT,
FLANGE, BAYONET COUPLING, CRIMP CONTACTS,
MIL-DTL-38999, SERIES II

SHEET
1 OF 1

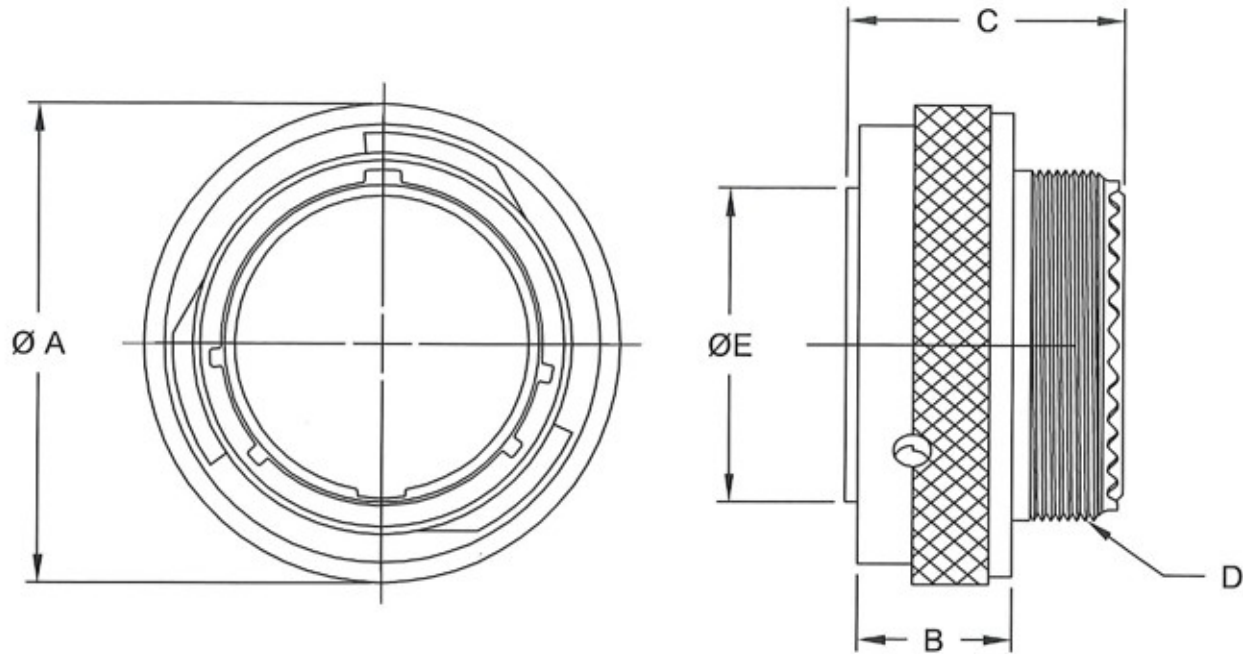
DWG. NO.
MS27479

REV
-

<http://www.corsairelectricalconnectors.com> (949) 833-0273

MS27484

MIL-DTL-38999 SERIES II



Shell Size	D thread Class 2A	A Dia. +.005 -.006	B ±.015	C (Class E) Max.	C (Class P) Max.	C (Class T) Max.	E Dia. +.007 -.004
8	.4375-28 UNEF	.750	.547	1.016	1.020	.766	.456
10	.5625-24 UNEF	.859	.547	1.016	1.020	.766	.573
12	.6875-24 UNEF	1.031	.547	1.016	1.020	.766	.733
14	.8125-20 UNEF	1.156	.547	1.016	1.020	.766	.858
16	.9375-20 UNEF	1.281	.547	1.016	1.020	.766	.983
18	1.0625-18 UNEF	1.406	.547	1.016	1.020	.766	1.108
20	1.1875-18 UNEF	1.531	.524	1.016	1.020	.766	1.228
22	1.3125-18 UNEF	1.641	.524	1.016	1.020	.766	1.353
24	1.4375-18 UNEF	1.766	.575	1.094	1.080	.844	1.478

TOLERANCE
XX ± .010
.XXX ± .005
ANGLES ± 1°

TITLE
CONNECTORS, ELECTRICAL, PLUG, RFI, BAYONET
COUPLING, CRIMP CONTACTS, SERIES II, MIL-DTL-38999

SHEET
1 OF 1

DWG. NO.
MS27484

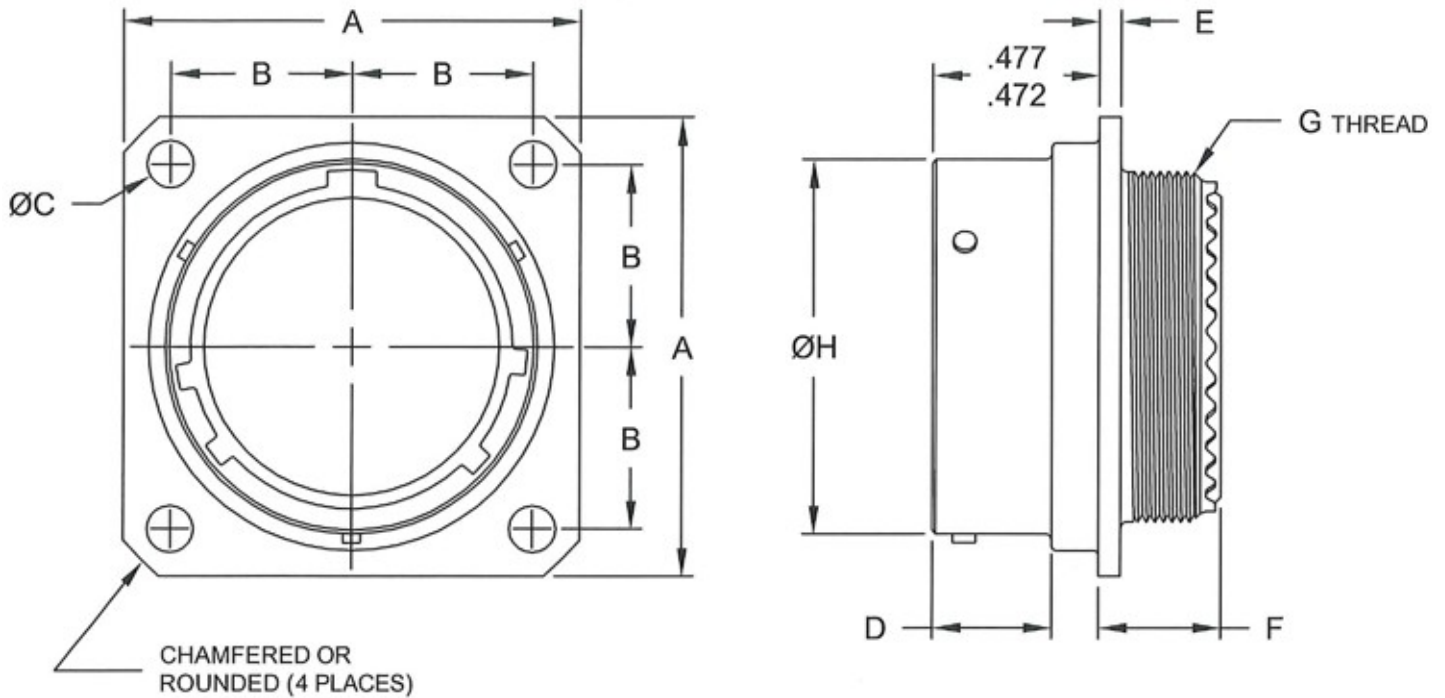
REV

-

<http://www.corsairelectricalconnectors.com> (949) 833-0273

MS27497

MIL-DTL-38999 SERIES II



Shell Size	G Thread Class 2 A	A Max.	B	C Dia.	D +.000 -.005	E +.011 -.000	F (Class E) Max.	F (Class P) Max.	F (Class T) Max.	H Dia. Max.
8	.4375-28 UNEF	.828	.297	.120	.322	.058	.562	.641	.391	.547
10	.5625-24 UNEF	.954	.3595	.120	.322	.058	.562	.641	.391	.672
12	.6875-24 UNEF	1.047	.406	.120	.322	.058	.562	.641	.391	.844
14	.8125-20 UNEF	1.141	.453	.120	.322	.058	.562	.641	.391	.969
16	.9375-20 UNEF	1.234	.4845	.120	.322	.058	.562	.641	.391	1.094
18	1.0625-18 UNEF	1.328	.531	.120	.322	.058	.562	.641	.391	1.219
20	1.1875-18 UNEF	1.453	.578	.120	.322	.058	.562	.641	.391	1.344
22	1.3125-18 UNEF	1.578	.625	.120	.322	.058	.562	.641	.391	1.469
24	1.4375-18 UNEF	1.703	.6875	.147	.322	.058	.562	.703	.469	1.594

TOLERANCE
XX ± .010
.XXX ± .005
ANGLES ± 1°

TITLE
CONNECTORS, ELECTRICAL, RECEPTACLE, BACK PANEL,
WALL MOUNT, FLANGE, BAYONET COUPLING, CRIMP
CONTACTS, MIL-DTL-38999, SERIES II

SHEET
1 OF 1

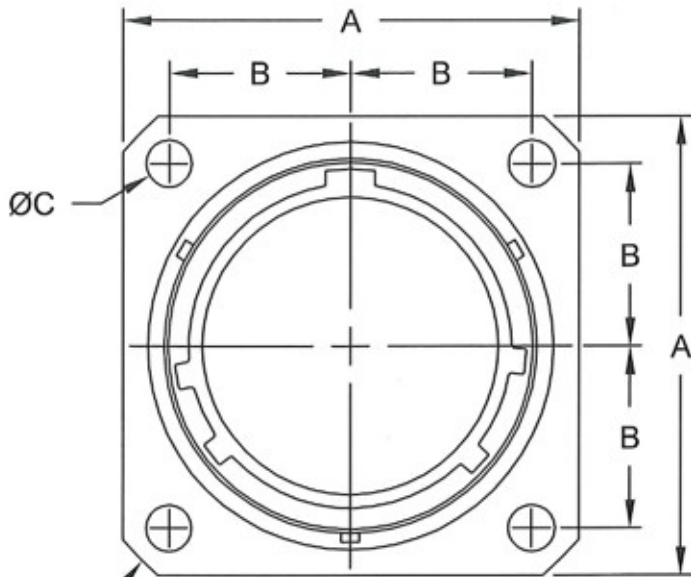
DWG. NO.
MS27497

REV
-

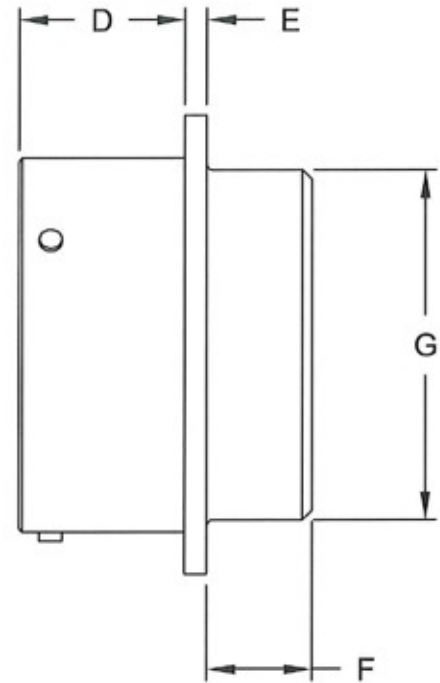
<http://www.corsairelectricalconnectors.com> (949) 833-0273

MS27499

MIL-DTL-38999 SERIES II



CHAMFERED OR
ROUNDED (4 PLACES)



Shell Size	A Max.	B	C Dia. +.010 -0.005	D +.000 -.005	E +.011 -.000	F Max.	G Max.
8	.828	.297	.120	.322	.058	.312	.453
10	.954	.3595	.120	.322	.058	.312	.578
12	1.047	.406	.120	.322	.058	.312	.703
14	1.141	.453	.120	.322	.058	.312	.828
16	1.234	.4845	.120	.322	.058	.312	.953
18	1.328	.531	.120	.322	.058	.312	1.062
20	1.453	.578	.120	.322	.058	.312	1.188
22	1.578	.625	.120	.322	.058	.312	1.312
24	1.703	.6875	.147	.322	.058	.312	1.438

TOLERANCE
XX ± .010
.XXX ± .005
ANGLES ± 1°

TITLE
CONNECTORS, ELECTRICAL, RECEPTACLE, BOX MOUNT,
FLANGE, BAYONET COUPLING, CRIMP CONTACTS,
MIL-DTL-38999, SERIES II

SHEET
1 OF 1

DWG. NO.
MS27499

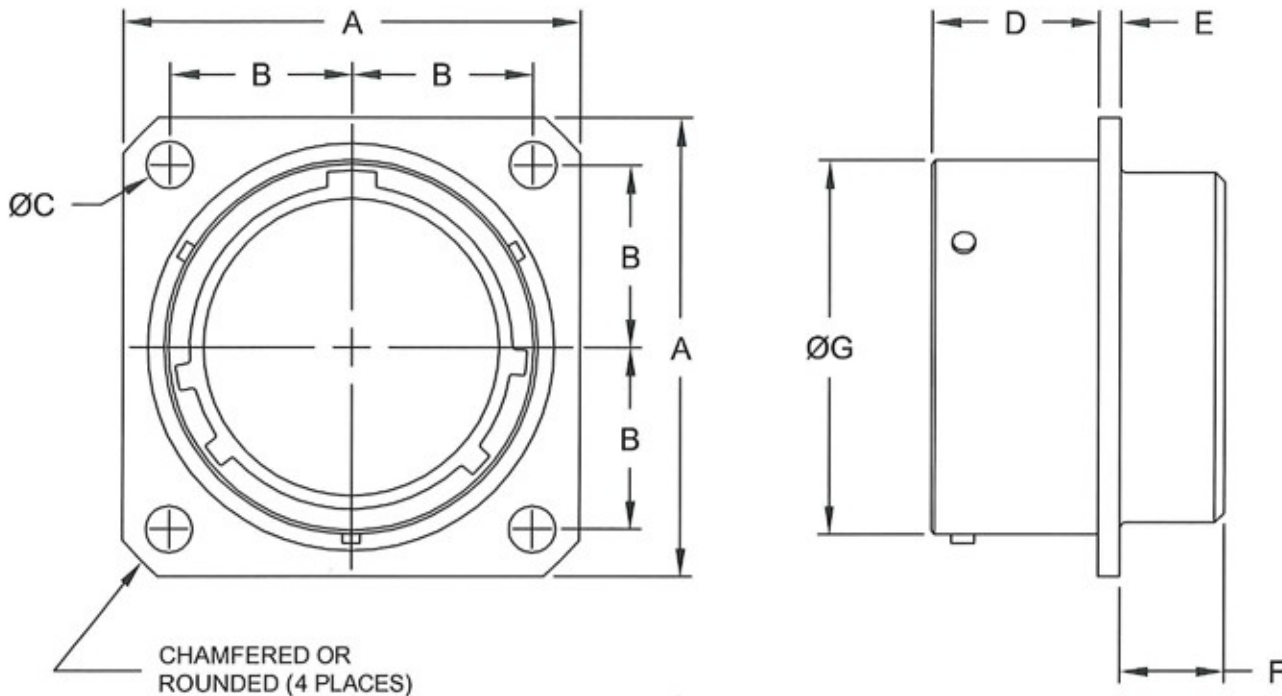
REV

-

<http://www.corsairelectricalconnectors.com> (949) 833-0273

MS27504

MIL-DTL-38999 SERIES II



Shell Size	A Max.	B	C Dia. +.010 -0.005	D +.000 -.005	E +.011 -.000	F Max.	G +.001 -.005
8	.828	.297	.120	.322	.058	.312	.473
10	.954	.3595	.120	.322	.058	.312	.590
12	1.047	.406	.120	.322	.058	.312	.750
14	1.141	.453	.120	.322	.058	.312	.875
16	1.234	.4845	.120	.322	.058	.312	1.000
18	1.328	.531	.120	.322	.058	.312	1.125
20	1.453	.578	.120	.322	.058	.312	1.250
22	1.578	.625	.120	.322	.058	.312	1.375
24	1.703	.6875	.147	.322	.058	.312	1.500

TOLERANCE
XX ± .010
.XXX ± .005
ANGLES ± 1°

TITLE
CONNECTORS, ELECTRICAL, RECEPTACLE, BOX MOUNT,
FLANGE, BAYONET COUPLING, CRIMP CONTACTS,
MIL-DTL-38999, SERIES II

SHEET
1 OF 1

DWG. NO.
MS27504

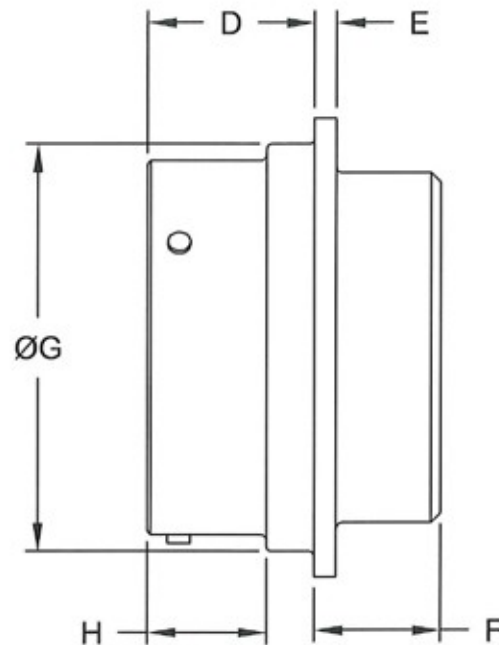
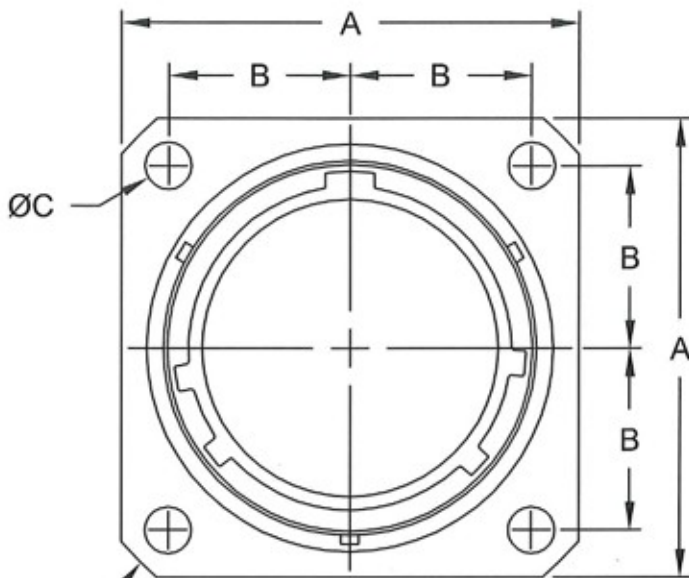
REV

-

<http://www.corsairelectricalconnectors.com> (949) 833-0273

MS27508

MIL-DTL-38999 SERIES II



CHAMFERED OR
ROUNDED (4 PLACES)

Shell Size	A Max.	B	C Dia. +.010 -0.005	D +.000 -.005	E +.011 -.000	F Max.	G Dia. Max.	H +.000 -.005
8	.828	.297	.120	.447	.058	.250	.547	.322
10	.954	.3595	.120	.447	.058	.250	.672	.322
12	1.047	.406	.120	.447	.058	.250	.844	.322
14	1.141	.453	.120	.447	.058	.250	.969	.322
16	1.234	.4845	.120	.447	.058	.250	1.094	.322
18	1.328	.531	.120	.447	.058	.250	1.219	.322
20	1.453	.578	.120	.447	.058	.250	1.344	.322
22	1.578	.625	.120	.447	.058	.250	1.469	.322
24	1.703	.6875	.147	.447	.058	.250	1.594	.322

TOLERANCE
XX ± .010
.XXX ± .005
ANGLES ± 1°

TITLE
CONNECTORS, ELECTRICAL, RECEPTACLE, BACK PANEL,
BOX MOUNT, FLANGE, BAYONET COUPLING, CRIMP
CONTACTS, MIL-DTL-38999, SERIES II

SHEET
1 OF 1

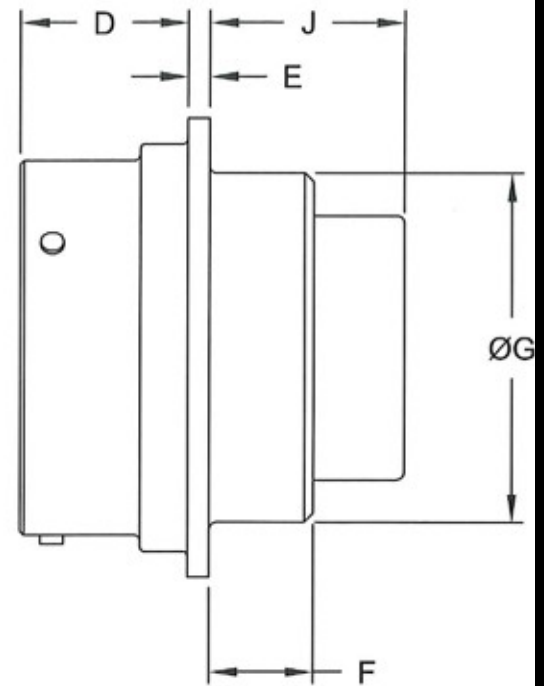
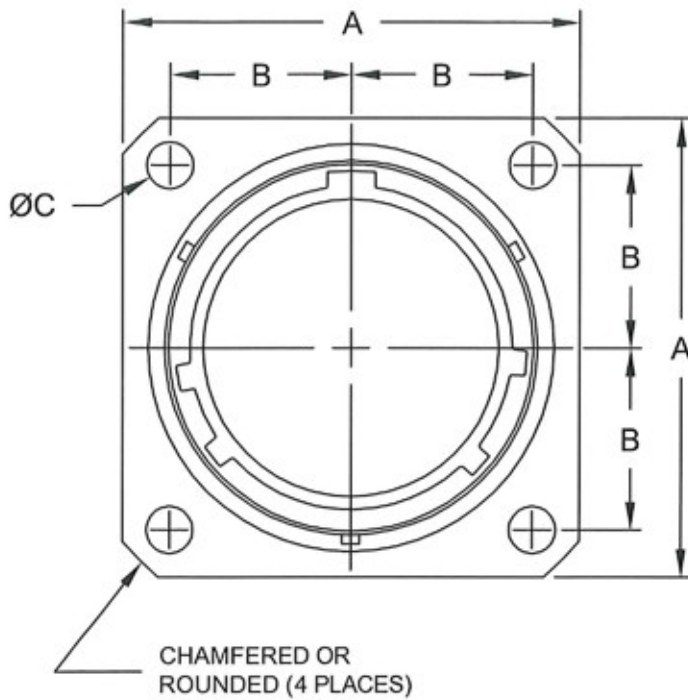
DWG. NO.
MS27508

REV
-

<http://www.corsairelectricalconnectors.com> (949) 833-0273

MS27513

MIL-DTL-38999 SERIES II



Shell Size	A Max.	B	C Dia. +.010 -0.005	D +.000 -.005	E +.011 -.000	F Max.	G Dia. Max.	J Max.
8	.828	.297	.120	.322	.058	.312	.453	.516
10	.954	.3595	.120	.322	.058	.312	.578	.516
12	1.047	.406	.120	.322	.058	.312	.703	.516
14	1.141	.453	.120	.322	.058	.312	.828	.516
16	1.234	.4845	.120	.322	.058	.312	.953	.516
18	1.328	.531	.120	.322	.058	.312	1.062	.516
20	1.453	.578	.120	.322	.058	.312	1.188	.516
22	1.578	.625	.120	.322	.058	.312	1.312	.516
24	1.703	.6875	.147	.322	.058	.312	1.438	.516

TOLERANCE
 XX ± .010
 .XXX ± .005
 ANGLES ± 1°

TITLE
 CONNECTORS, ELECTRICAL, RECEPTACLE, BOX MOUNT,
 FLANGE, LONG GROMMET, BAYONET COUPLING, CRIMP
 CONTACTS, MIL-DTL-38999, SERIES II

SHEET
 1 OF 1

DWG. NO.
 MS27513

REV

-

<http://www.corsairelectricalconnectors.com> (949) 833-0273

MIL-DTL-38999

SERIES III



MILITARY PREFIX	D38999/	20	W	B	16	P	W
CORSAIR PREFIX	CJ14	20	W	B	16	P	W

CONNECTOR CONFIGURATION

- 20 (20) RECEPTACLE, WALL MOUNT
- 24 (24) RECEPTACLE, JAM NUT MOUNT
- 26 (26) PLUG, RFI, STANDARD

CLASS

- C ENVIRONMENTAL RESISTING-NON CONDUCTIVE FINISH
ANODIC -65°C- +200°C
- F ENVIRONMENTAL RESISTING-CONDUCTIVE FINISH
ELECTROLESS NICKEL -65°C- +200°C
- K ENVIRONMENTAL RESISTING-CORROSION RESISTANT STEEL WITH
FIREWALL BARRIER, PASSIVATED -65°C- +200°C
- F ENVIRONMENTAL RESISTING-CORROSION RESISTANT STEEL WITH
ELECTRODEPOSITED NICKEL -65°C- +200°C
- S ENVIRONMENTAL RESISTING-CORROSION RESISTANT STEEL WITH
ELECTRODEPOSITED NICKEL & FIREWALL BARRIER
-65°C- +200°C
- T ENVIRONMENTAL RESISTING-NICKEL FLOUROCARBON POLYMER,
CONDUCTIVE FINISH -65°C- +175°C
- W ENVIRONMENTAL RESISTING-CORROSION RESISTANT FINISH
OLIVE DRAB CADMIUM PLATE OVER UNDERPLATE -65°C- +175°C
- Z ENVIRONMENTAL RESISTING-ZINC NICKEL, CONDUCTIVE FINISH
-65°C- +175°C

SHELL SIZE

A(9), B(11), C(13), D(15), E(17), F(19), G(21), H(23), J(25)

INSERT ARRANGEMENT

REFER TO LAYOUT PATTERNS PER MIL-DTL-1560

CONTACT TYPE

- P PIN
- S SOCKET
- A CONNECTOR LESS PINS
- B CONNECTOR LESS SOCKETS

POLARIZATION

N NORMAL (NOT INCLUDED IN PART NUMBER)
W, X, Y, OR Z ALTERNATE POSITIONS, REFER TO
POLARIZATION CHART

GENERAL SPECIFICATIONS

REAR RELEASE CONTACT RETENTION SYSTEM. 9 SHELL SIZES (A TO J) IN OVER 150 INSERT ARRANGEMENTS UTILIZING CONTACT SIZES 22D, 20, 16, 12, 8, 4, AND 0 GAGE CRIMP CONTACTS PER AS39029. USES TRIPLE START THREAD COUPLING MECHANISM. ACCEPTS AS85049 BACKSHELLS
USES HIGH RELIABILITY METAL CONTACT RETENTION CLIPS

OPERATING TEMPERATURE RANGE:
ALUMINIUM: -65°C TO 175°C
STAINLESS STEEL: -65°C TO 200°C

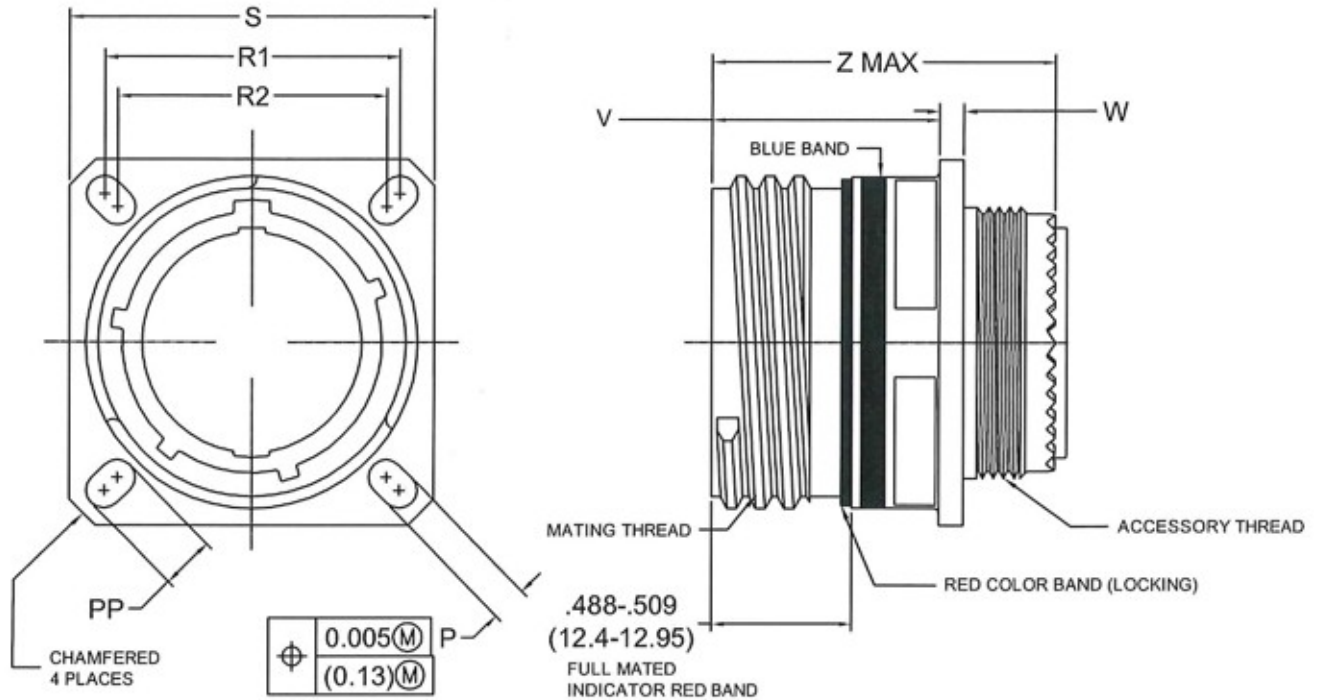
ENVIRONMENTAL FLOUROUSILICONE ELASTOMERS

REFER TO ADDITIONAL CONTACT AND TOOLING INFORMATION

TOLERANCE XX ± .010 .XXX ± .005 ANGLES ± 1°	TITLE MIL-DTL-38999, REAR RELEASE, SERIES III, CORSAIR PART NUMBER CROSS REFERENCE	SHEET 1 OF 1	DWG. NO. M38999	REV -
		http://www.corsairelectricalconnectors.com (949) 833-0273		

D38999/20

MIL-DTL-38999 SERIES III

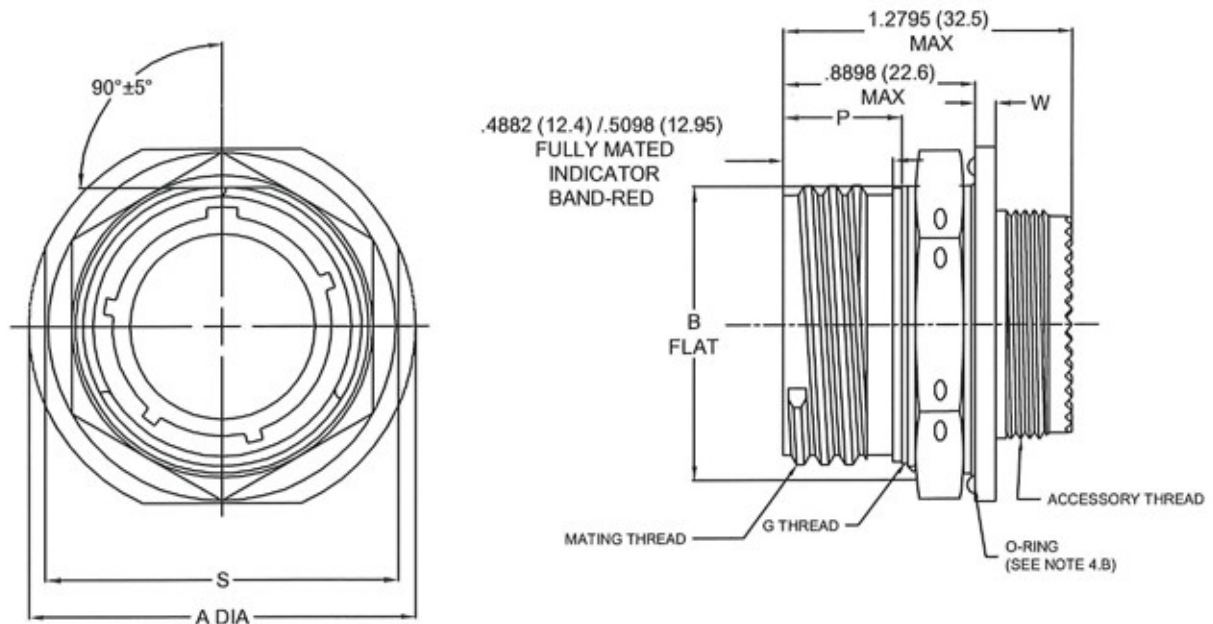


SHELL SIZE	SHELL SIZE CODE	M Max front or rear panel thickness (See note 4.C)	P ±0.20	PP ±0.20	R1 (See note 4.A)	R2 (See note 4.B)	S ±0.3	V +0.00 -1.25	W	Z MAX
9	A	.228 (5.80)	0.128 (3.25)	.216 (5.49)	.719 (18.26)	.594 (15.09)	.937 (23.8)	.820 (20.83)	.098/.083 (2.5/2.1)	1.240 (31.5)
11	B		0.128 (3.25)	.194 (4.93)	20.62 (.812)	.719 (18.26)	1.031 (26.2)	.820 (20.83)	.098/.083 (2.5/2.1)	1.240 (31.5)
13	C		0.128 (3.25)	.194 (4.93)	23.01 (.906)	.812 (20.62)	1.126 (28.6)	.820 (20.83)	.098/.083 (2.5/2.1)	1.240 (31.5)
15	D		0.128 (3.25)	.173 (4.39)	24.61 (.969)	.906 (23.01)	1.220 (31.0)	.820 (20.83)	.098/.083 (2.5/2.1)	1.240 (31.5)
17	E		0.128 (3.25)	.194 (4.93)	1.062 (26.97)	.969 (24.61)	1.311 (33.3)	.820 (20.83)	.098/.083 (2.5/2.1)	1.240 (31.5)
19	F		0.128 (3.25)	.194 (4.93)	1.156 (29.36)	26.97 (1.062)	1.437 (36.5)	.820 (20.83)	.098/.083 (2.5/2.1)	1.240 (31.5)
21	G	.197 (5.00)	0.128 (3.25)	.194 (4.93)	1.250 (31.75)	1.156 (29.36)	1.563 (39.7)	.790 (20.07)	0.126/.083 (3.2/2.1)	1.240 (31.5)
23	H		.154 (3.91)	.242 (6.15)	1.375 (34.93)	1.250 (31.75)	1.689 (42.9)	.790 (20.07)	0.126/.083 (3.2/2.1)	1.240 (31.5)
25	J		.154 (3.91)	.242 (6.15)	1.500 (38.10)	1.375 (34.93)	1.811 (46.0)	.790 (20.07)	0.126/.083 (3.2/2.1)	1.240 (31.5)

TOLERANCE XX ± .010 .XXX ± .005 ANGLES ± 1°	TITLE CONNECTORS, ELECTRICAL, CIRCULAR, RECEPTACLE, THREADED, WALL MOUNTING FLANGE, REMOVABLE CRIMP CONTACTS, SERIES III, MIL-DTL-38999/20	SHEET 1 OF 1	DWG. NO. D38999/20	REV -
		http://www.corsairelectricalconnectors.com (949) 833-0273		

D38999/24

MIL-DTL-38999 SERIES III



SHELL SIZE	SHELL SIZE CODE	A DIA ±0.012	B FLAT +0.10 -0.15	G THREAD	P +0.6 -0.0	S ±0.04	W +0.035 -0.004	Recommended O-ring SAE-AS3582 (see note 4.D)
9	A	1.189 (30.2)	.651 (16.53)	M17x1-6g 0.100R	.555 (14.1)	1.063 (27.0)	.087 (2.2)	-019
11	B	1.374 (34.9)	.751 (19.07)	M20x1-6g 0.100R	.555 (14.1)	1.252 (31.8)	.087 (2.2)	-022
13	C	1.500 (38.1)	.938 (23.82)	M25x1-6g 0.100R	.555 (14.1)	1.374 (34.9)	.087 (2.2)	-024
15	D	1.626 (41.3)	1.062 (26.97)	M28x1-6g 0.100R	.555 (14.1)	1.500 (38.1)	.087 (2.2)	-026
17	E	1.752 (44.5)	1.187 (30.15)	M32x1-6g 0.100R (see note 4.B)	.555 (14.1)	1.626 (41.3)	.087 (2.2)	-028
19	F	1.937 (49.2)	1.312 (33.32)	M35x1-6g 0.100R	.555 (14.1)	1.811 (46.0)	.118 (3.0)	-128
21	G	2.063 (52.4)	1.437 (36.50)	M38x1-6g 0.100R	.555 (14.1)	1.937 (49.2)	.118 (3.0)	-130
23	H	2.189 (55.6)	1.562 (39.67)	M41x1-6g 0.100R	.555 (14.1)	2.063 (52.4)	.118 (3.0)	-132
25	J	2.311 (58.7)	1.687 (42.85)	M44x1-6g 0.100R	.555 (14.1)	2.189 (55.6)	.118 (3.0)	-134

TOLERANCE
XX ± .010
.XXX ± .005
ANGLES ± 1°

TITLE
CONNECTORS, ELECTRICAL, CIRCULAR, RECEPTACLE,
THREADED, REMOVABLE CRIMP CONTACTS, SERIES III,
MIL-DTL-38999/24

SHEET
1 OF 1

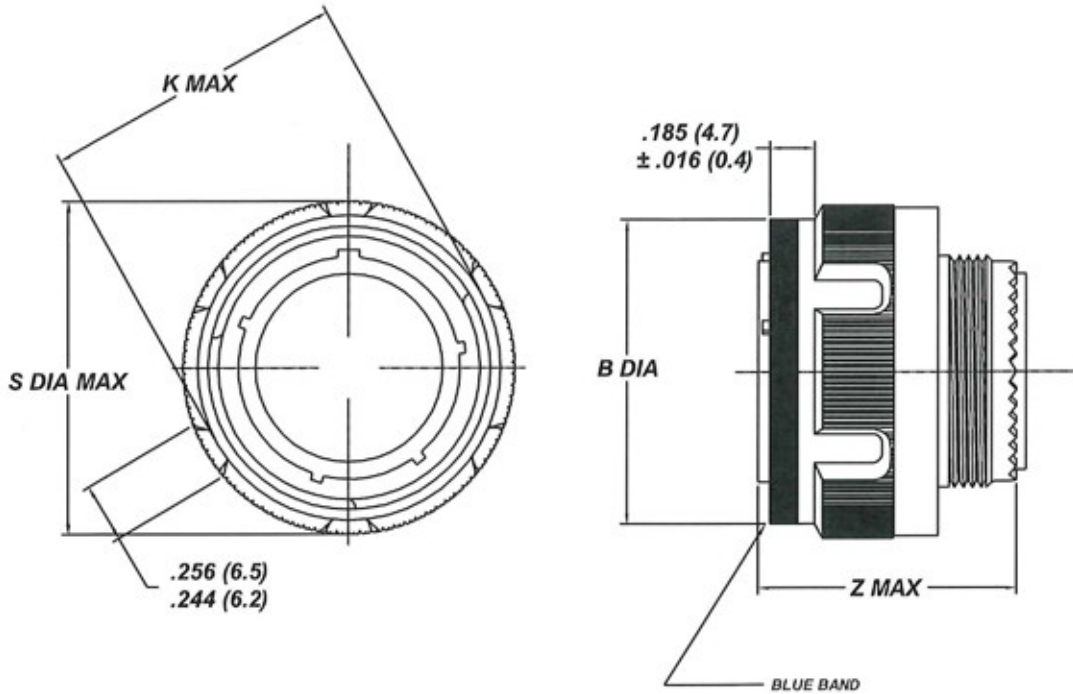
DWG. NO.
D38999/24

REV
-

<http://www.corsairelectricalconnectors.com> (949) 833-0273

D38999/26

MIL-DTL-38999 SERIES III



SHELL SIZE	SHELL SIZE CODE	B DIA +.008 (.2) -0.0	K MAX	S DIA MAX	Z MAX
9	A	.724 (18.4)	.748 (19.0)	.858 (21.8)	1.220 (31.0)
11	B	.830 (21.1)	.862 (21.9)	.984 (25.0)	1.220 (31.0)
13	C	25.4 (.999)	1.03 (26.1)	1.157 (29.4)	1.220 (31.0)
15	D	1.129 (28.7)	1.15 (29.3)	1.27 (32.5)	1.220 (31.0)
17	E	1.26 (32.2)	1.29 (32.8)	1.40 (35.7)	1.220 (31.0)
19	F	1.49 (34.9)	1.39 (35.5)	1.51 (38.5)	1.220 (31.0)
21	G	1.49 (38.1)	1.52 (38.7)	1.64 (41.7)	1.220 (31.0)
23	H	1.61 (41.1)	1.64 (41.7)	1.76 (44.9)	1.220 (31.0)
25	J	1.74 (44.3)	1.76 (44.9)	1.88 (48.0)	1.220 (31.0)

TOLERANCE
XX ± .010
.XXX ± .005
ANGLES ± 1°

TITLE
CONNECTORS, ELECTRICAL, PLUG, CIRCULAR,
THREADED, STRAIGHT, REMOVABLE CRIMP CONTACTS,
SERIES III, MIL-DTL-38999/26

SHEET
1 OF 1

DWG. NO.
D38999/26

REV
-

<http://www.corsairelectricalconnectors.com> (949) 833-0273

MIL-DTL-38999

SERIES I, II & III



Shell Size	Insert Arrangement					Contact Size								Notes
	Series I	Series II	Series III	Service Rating	Total # of Contacts	22D	22M	22	20	16	12	10	8	
8 & 9	9-6	8-6	A-6	M	6		6							
	9-7	N/A	A-7	M	7	7								
	9-35	8-35	A-35	M	6	6								
	9-44	8-44	A-44	M	4			4						
	9-98	8-98	A-98	I	3				3					
10 & 11	11-2	N/A	B-2	I	2					2				
	11-4	N/A	B-4	I	4				4					
	11-5	10-5	B-5	I	5				5					
	11-13	10-13	B-13	M	13		13							
	11-35	10-35	B-35	M	13	13								
	11-98	10-98	B-98	I	6				6					
	11-99	10-99	B-99	I	7				7					
12 & 13	N/A	12-3	N/A	II	3					3				
	13-4	12-4	C-4	I	4					4				
	13-8	12-8	C-8	I	8				8					
	13-22	12-22	C-22	M	22		22							
	13-35	12-35	C-35	M	22	22								
	13-98	12-98	C-98	I	10				10					
14 & 15	15-5	14-5	D-5	II	5					5				
	15-15	14-15	D-15	I	15				14	1				
	15-18	14-18	D18	I	18				18					
	15-19	N/A	D-19	I	19				19					
	15-35	14-35	D-35	M	37	37								
	15-37	14-37	D-37	M	37		37							
	15-97	14-97	D-97	I	12				8	4				
16 & 17	17-2	N/A	E-2	M	39	38							1	①②
	17-6	16-6	E-6	I	6						6			
	N/A	16-7	N/A	II							6			
	17-8	16-8	E-8	II	8					8				
	17-11	N/A	E-11	N	11				8		3			①
	17-26	16-26	E-26	I	26				26					
	17-35	16-35	E-35	M	55	55								
	N/A	16-42	N/A	M	42				42					
	17-55	16-55	E-55	M	55		55							
	17-99	16-99	E-99	I	23				21	2				

TOLERANCE
 XX ± .010
 .XXX ± .005
 ANGLES ± 1°

TITLE
 INSERT ARRANGEMENT, SERIES I, II & III

SHEET
 1 OF 3

DWG. NO.
 MIL-DTL-38999

REV
 -

<http://www.corsairelectricalconnectors.com> (949) 833-0273

MIL-DTL-38999

SERIES I, II & III



Shell Size	Insert Arrangement					Contact Size								Notes
	Series I	Series II	Series III	Service Rating	Total # of Contacts	22D	22M	22	20	16	12	10	8	
18 & 19	19-11	18-11	F-11	II	11					11				
	19-18	N/A	F-18	M	18	14							4	①②
	19-28	18-28	F-28	I	28				26	2				
	19-30	18-30	F-30	I	30				29	1				
	19-32	18-32	F-32	I	32				32					
	19-35	18-35	F-35	M	66	66								
	19-45	18-45	F-45	M	67	67								
	N/A	18-53	N/A	M	53			53						
	19-66	18-66	F-66	M	66		66							
	19-67	18-67	F-67	M	67		67							
	N/A	18-96	N/A	I	9						9			
20 & 21	21-1	20-1	G-1	M	79		79							
	N/A	20-2	N/A	M	65			65						
	21-11	N/A	G-11	I	11					11				
	21-16	20-16	G-16	II	16					16				
	21-24	20-24	G-24	I	24				24					
	21-25	20-25	G-25	I	25				25					
	21-27	20-27	G-27	I	27				27					
	21-35	20-35	G-35	M	79	79								
	21-39	20-39	G-39	I	39				37	2				
21-41	20-41	G-41	I	41				41						
21-75	N/A	G-75	TWINAX	4								4		
22 & 23	23-1	22-1	H-1	M	100		100							
	23-2	22-2	H-2	M	85			85						
	23-21	22-21	H-21	II	21					21				
	23-32	22-32	H-32	I	32				32					
	23-34	22-34	H-34	I	34				34					
	23-35	22-35	H-35	M	100	100								
	23-36	22-36	H-36	I	36				36					
	23-53	22-53	H-53	I	53				53					
	23-55	22-55	H-55	I	55				55					
	23-97	22-97	H-97	I	16					16				
	23-99	22-99	H-99	II	11					11				

TOLERANCE
 XX ± .010
 .XXX ± .005
 ANGLES ± 1°

TITLE
 INSERT ARRANGEMENT, SERIES I, II & III

SHEET
 2 OF 3

DWG. NO.
 MIL-DTL-38999

REV
 -

<http://www.corsairelectricalconnectors.com> (949) 833-0273

MIL-DTL-38999

SERIES I, II & III



Shell Size	Insert Arrangement					Contact Size								Notes
	Series I	Series II	Series III	Service Rating	Total # of Contacts	22D	22M	22	20	16	12	10	8	
24 & 25	25-1	24-1	J-1	M	128		128							
	25-2	24-2	J-2	M	100			100						
	25-4	24-4	J-4	I	56				48	8				
	25-7	N/A	J-7	M	99	97								2 (1)(2)
	25-8	N/A	J-8	TWINAX	8									8 (2)
	25-11	N/A	J-11	N	11				2				9	
	25-19	24-19	J-19	I	19							19		
	25-20	N/A	J-20	N	30				10	13			4	3 (1)(2)
	25-24	24-24	J-24	I	24					12	12			
	25-29	24-29	J-29	I	29					29				
	25-35	24-35	J-35	M	128	128								
	25-37	N/A	J-37	II	37						37			
	25-43	N/A	J-43	I	43				23	20				
	25-46	N/A	J-46	I	46				40	4				2 (1)(2)
	25-61	24-61	J-61	I	61				61					
25-90	N/A	J-90	I	46				40	4				2 (1)(2)	

①	Split Service Rating
②	The use of Size 8 SAE-AS39029/90 mand 91 Twinax contacts may derate the Connector with this Insert Arrangement and will require efforts to reduce the splaying of the Contacts. Heat shrink sleeves used with the Size 8 Twinax contacts are rated to 175° C (347° F) maximum.

TOLERANCE
 XX ± .010
 .XXX ± .005
 ANGLES ± 1°

TITLE
 INSERT ARRANGEMENT, SERIES I, II & III

SHEET
 3 OF 3

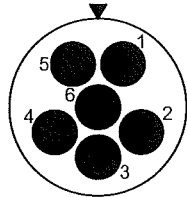
DWG. NO.
 MIL-DTL-38999

REV
 -

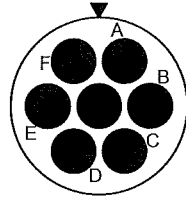
<http://www.corsairelectricalconnectors.com> (949) 833-0273

MIL-DTL-38999

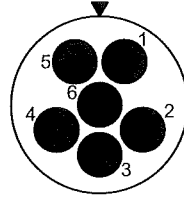
SERIES I, II & III



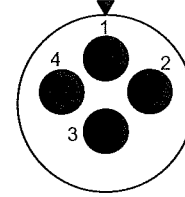
9-6 / 8-6
A6,
6 #22M, M



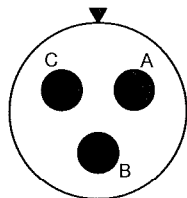
9-7
A7,
7 #22D, M



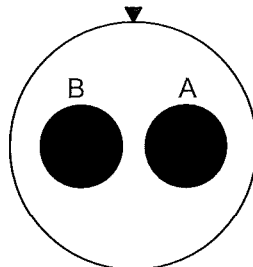
9-35 / 8-35
A35,
6 #22D, M



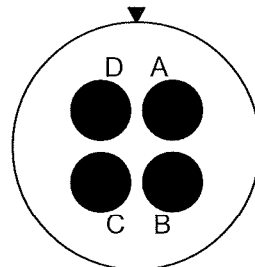
9-44 / 8-44
A44,
4 #22, M



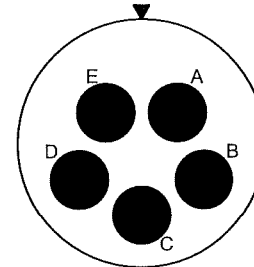
9-98 / 8-98
A98,
3 #20, I



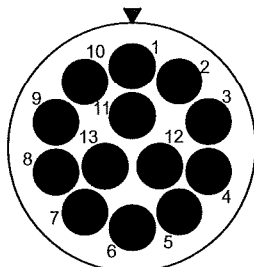
11-2
B2,
2 #16, I



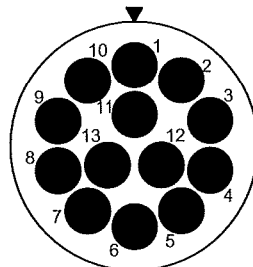
11-4
B4,
4 #20, I



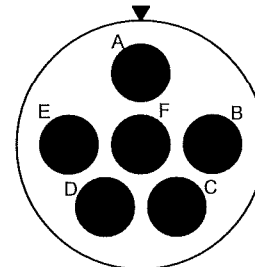
11-5/10-5
B4,
5 #20, I



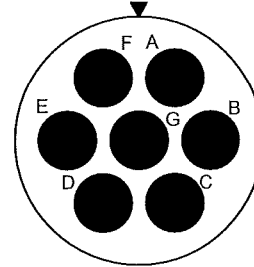
11-13/10-13
B13,
13 #22M, M



11-35/10-35
B35,
13 #22D, M



11-98/10-98
B98,
6 #20, I



11-99/10-99
B99,
7 #20, I

CONTACT
SIZE LEGEND:



SIZE 22D



SIZE 20



SIZE 16



SIZE 12



SIZE 8

TOLERANCE
XX ± .010
.XXX ± .005
ANGLES ± 1°

TITLE
MIL-DTL-38999, INSERT ARRANGEMENTS
SERIES I, II & III

SHEET
1 OF 9

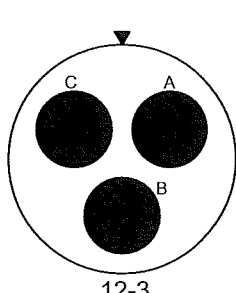
DWG. NO.
MIL-DTL-38999

REV
-

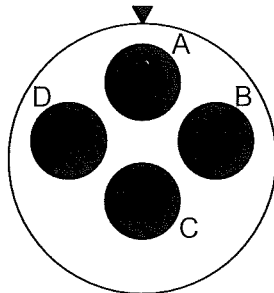
<http://www.corsairelectricalconnectors.com> (949) 833-0273

MIL-DTL-38999

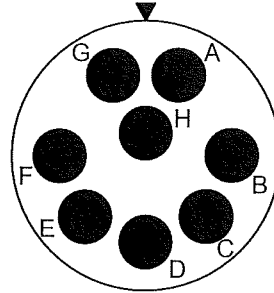
SERIES I, II & III



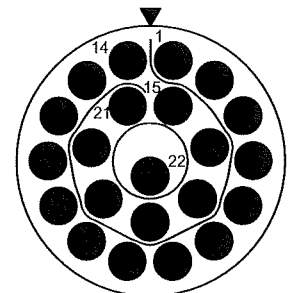
12-3
3 #16, II



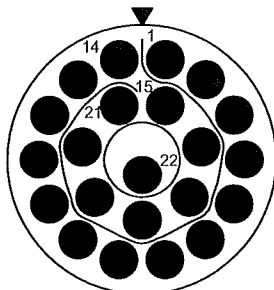
13-4/12-4
C4,
4 #16, I



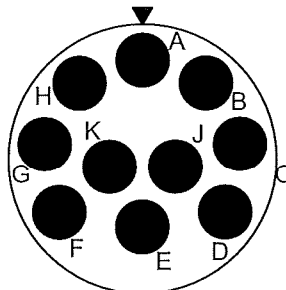
13-8/12-8
C8,
4 #20, I



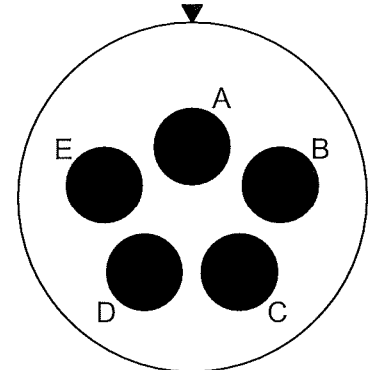
13-22/12-22
C22,
22 #22M, M



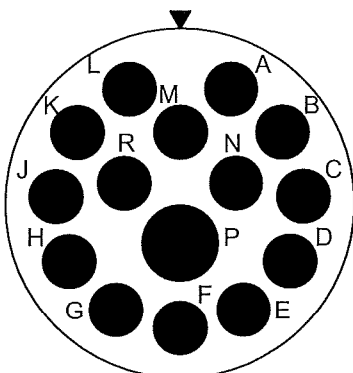
13-35/1235
C35,
22 #22D, M



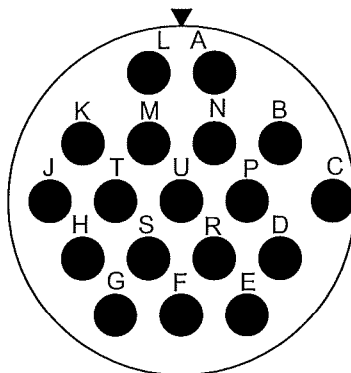
13-98/12-98
C98,
10 #20, I



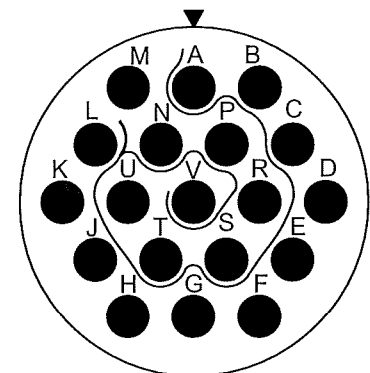
15-5/14-5
D5,
5 #16, II



15-15/14-15
D15,
1 #16, 14 #20, I

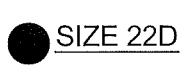


15-18/14-18
D18,
18 #20, I



15-19
D19,
19 #20, I

CONTACT
SIZE LEGEND:



TOLERANCE
XX ± .010
.XXX ± .005
ANGLES ± 1°

TITLE
MIL-DTL-38999, INSERT ARRANGEMENTS
SERIES I, II & III

SHEET
2 OF 9

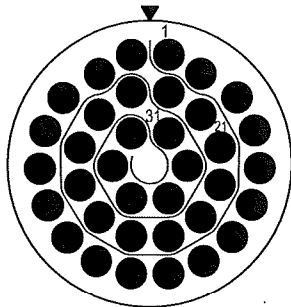
DWG. NO.
MIL-DTL-38999

REV
-

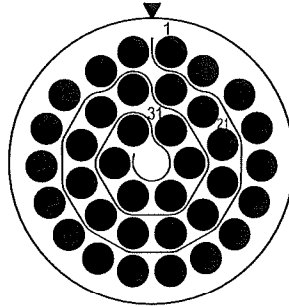
<http://www.corsairelectricalconnectors.com> (949) 833-0273

MIL-DTL-38999

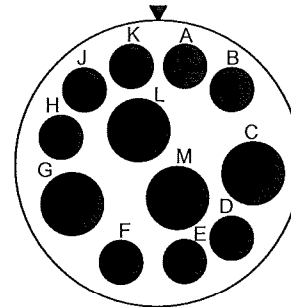
SERIES I, II & III



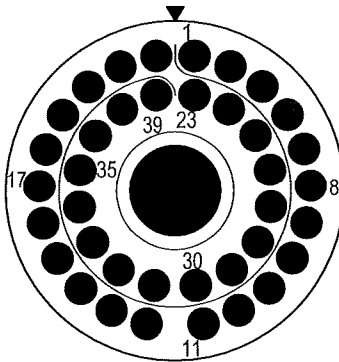
15-35/14-35
D35,
37 #22D, M



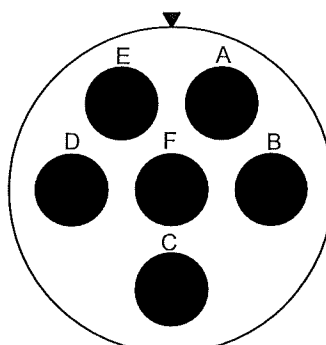
15-37/14-37
D37,
37 #22M, M



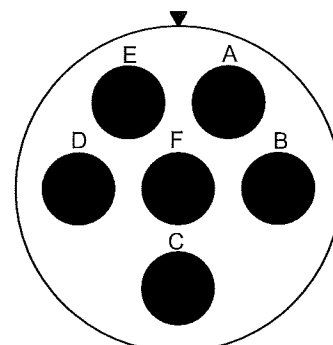
15-97/14-97
D97,
4 #16, 8 #20, I



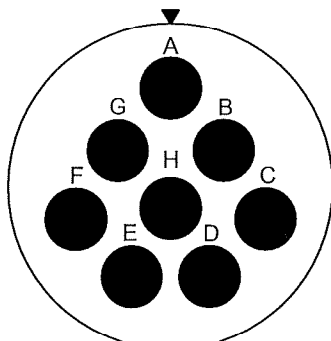
17-2
E2,
38 #22D, I 1 #8 TWINAX



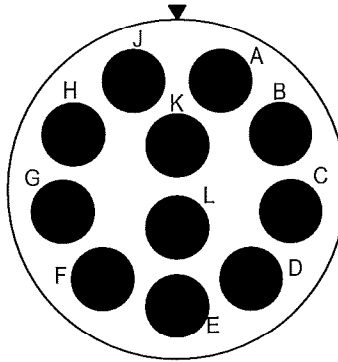
17-6/16-6
E6,
6 #12, I



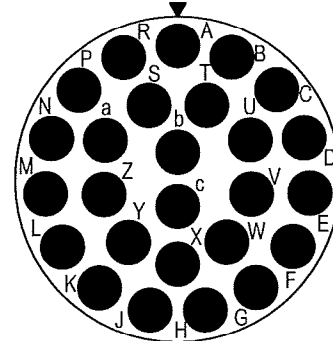
16-7
6 #12, II



17-8/16-8
E8,
8 #16, II



17-11
E11,
1 #12 COAX, 2 #12
TWINAX, 8 #20 N



17-26/16-26
E26,
26 #20, I

CONTACT
SIZE LEGEND:



SIZE 22D



SIZE 20



SIZE 16



SIZE 12



SIZE 8

TOLERANCE
XX ± .010
.XXX ± .005
ANGLES ± 1°

TITLE
MIL-DTL-38999, INSERT ARRANGEMENTS
SERIES I, II & III

SHEET
3 OF 9

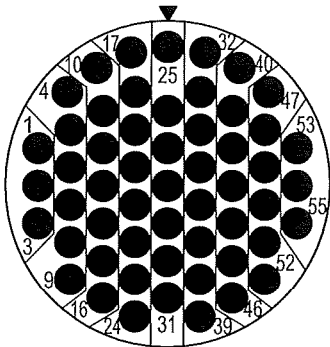
DWG. NO.
MIL-DTL-38999

REV
-

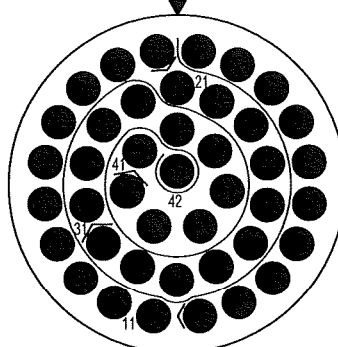
<http://www.corsairelectricalconnectors.com> (949) 833-0273

MIL-DTL-38999

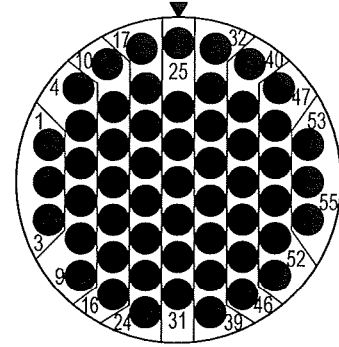
SERIES I, II & III



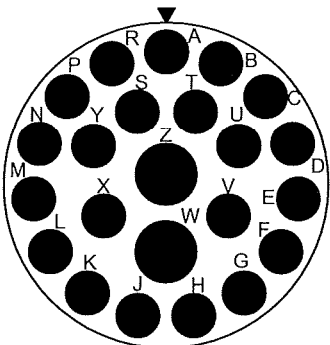
17-35/16-35
E35,
55 #22D, M



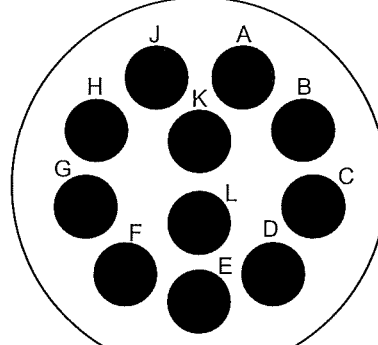
16-42
42 #22, M



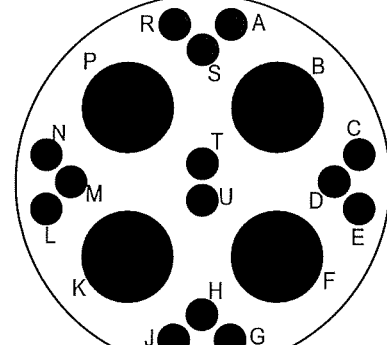
17-55/16-55
E55,
55 #22M, M



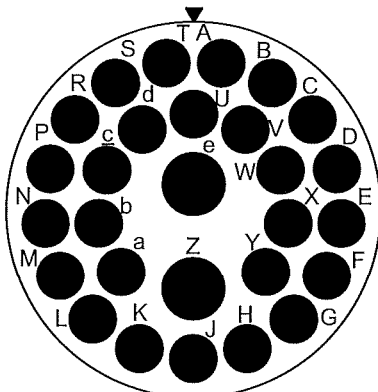
17-99/16-99
E99,
2 #16, 21 #20, I



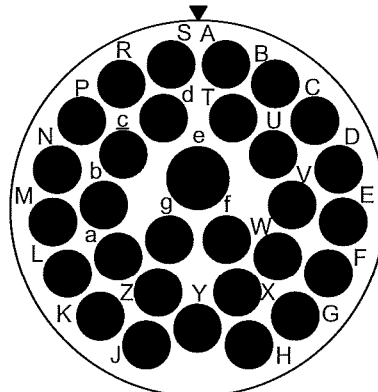
19-11/18-11
F11,
11 #16, II



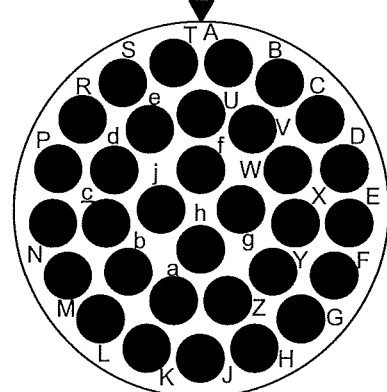
19-18
F18,
4 #8, TWINAX, 14, #22D M



19-28/18-28
F28,
2 #16, 26 #20, I

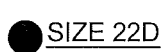


19-30/18-30
F30,
1 #16, 29 #20, I



19-32/18-32
F32,
32 #20, I

CONTACT
SIZE LEGEND:



TOLERANCE
XX ± .010
.XXX ± .005
ANGLES ± 1°

TITLE
MIL-DTL-38999, INSERT ARRANGEMENTS
SERIES I, II & III

SHEET
4 OF 9

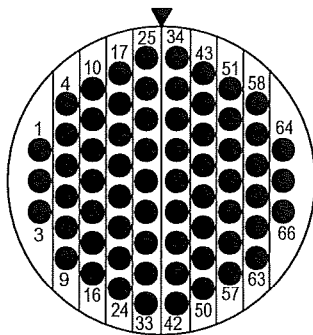
DWG. NO.
MIL-DTL-38999

REV
-

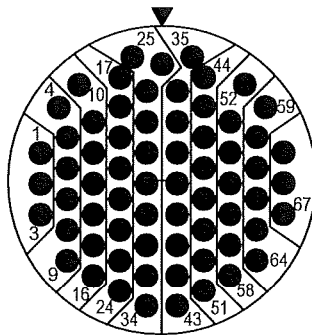
<http://www.corsairelectricalconnectors.com> (949) 833-0273

MIL-DTL-38999

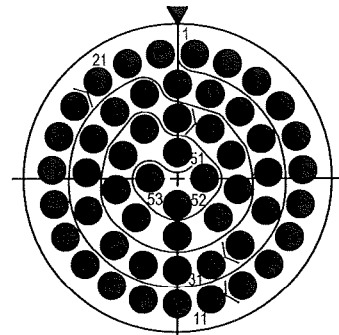
SERIES I, II & III



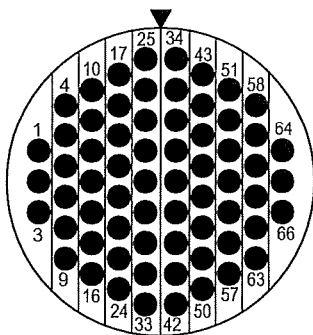
19-35/18-35
F35,
66 #22D, M



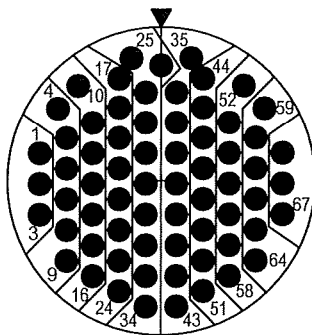
19-45/18-45
F45,
67 #22D, M



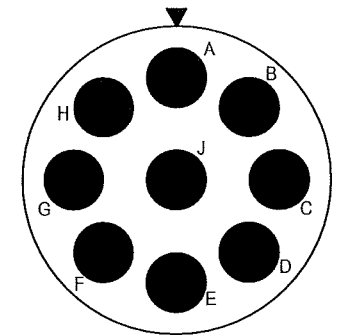
18-53
53 #22, M



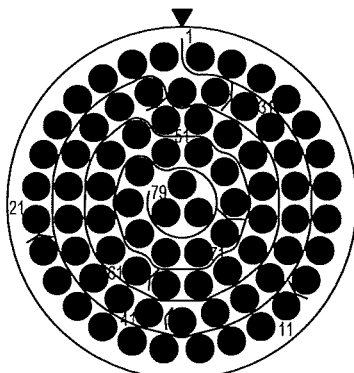
19-66/18-66
F66,
66 #22M, M



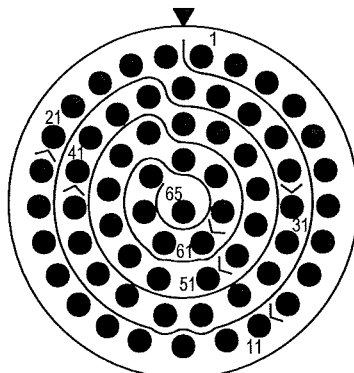
19-67/18-67
F67,
67 #22M, M



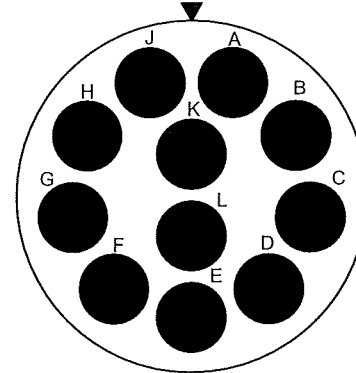
18-96
9 #12, I



21-1/20-1
G1,
79 #22M, M



20-2
65 #22, M



21-11
G11,
11 #12, I

CONTACT
SIZE LEGEND:



TOLERANCE
XX ± .010
.XXX ± .005
ANGLES ± 1°

TITLE
MIL-DTL-38999, INSERT ARRANGEMENTS
SERIES I, II & III

SHEET
5 OF 9

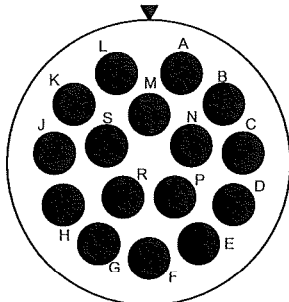
DWG. NO.
MIL-DTL-38999

REV
-

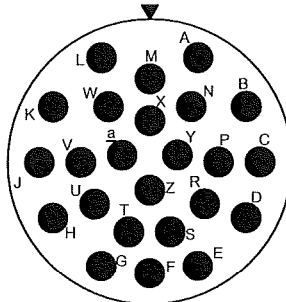
<http://www.corsairelectricalconnectors.com> (949) 833-0273

MIL-DTL-38999

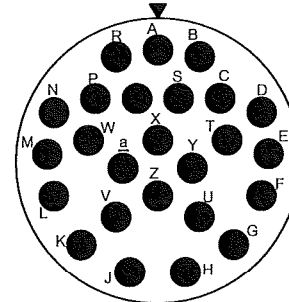
SERIES I, II & III



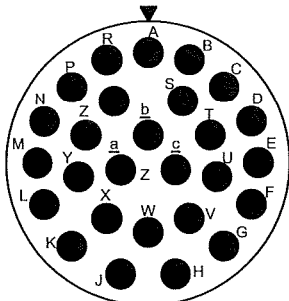
21-16/20-16
G16,
16 #12, II



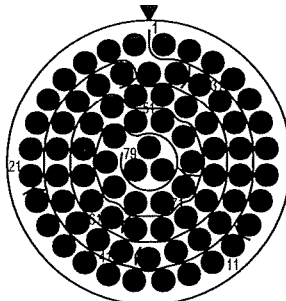
21-24/20-24
F24,
24 #20, I



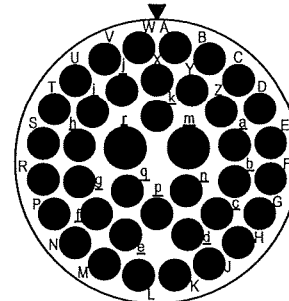
21-25/20-25
F25,
25 #20, I



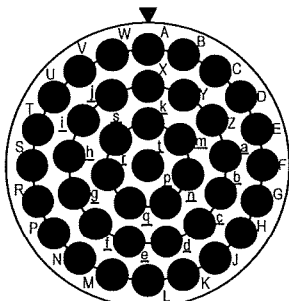
21-27/20-27
F27,
27 #20, I



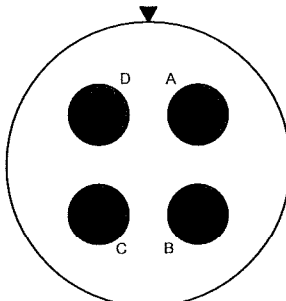
21-35/20-35
G35,
79 #22D, I



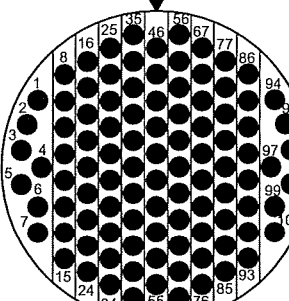
21-39/20-39
G39,
2 #16, 37 #20, I



21-41/20-41
G41,
41 #20, I

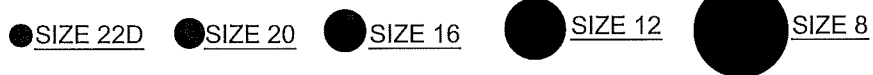


21-75
G75,
4 #8 TWINAX



23-1/22-1
H1,
100 #22M, M

CONTACT SIZE
LEGEND:



TOLERANCE
XX ± .010
.XXX ± .005
ANGLES ± 1°

TITLE
MIL-DTL-38999, INSERT ARRANGEMENTS
SERIES I, II & III

SHEET
6 OF 9

DWG. NO.
MIL-DTL-38999

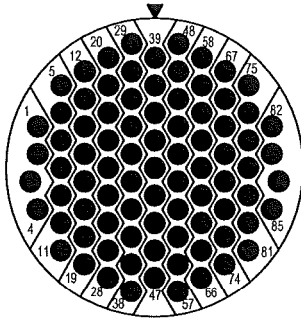
REV

-

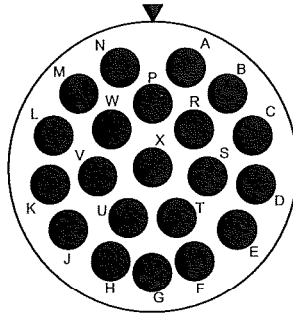
<http://www.corsairelectricalconnectors.com> (949) 833-0273

MIL-DTL-38999

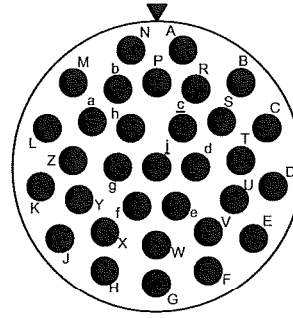
SERIES I, II & III



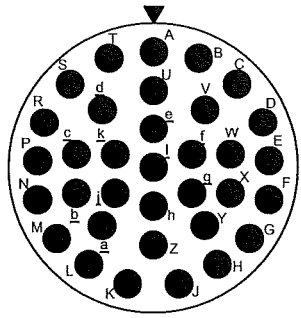
23-21/22-2
H2,
85 #22, M



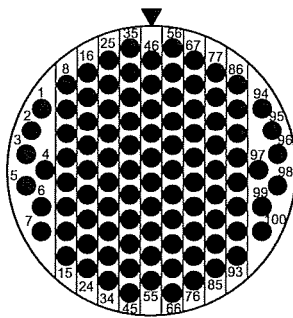
23-21/22-21
H21,
21 #16, II



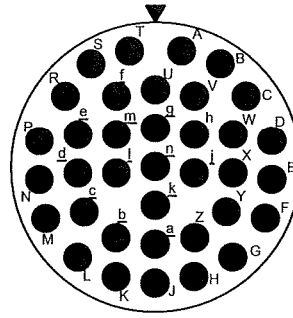
23-32/22-32
H32,
32 #20, I



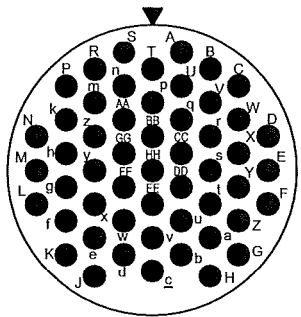
23-34/22-34
H34,
34 #20, I



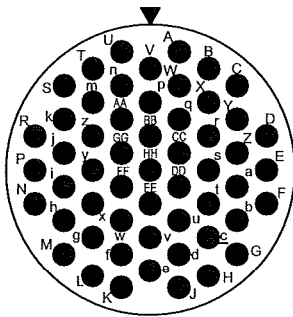
23-35/22-35
H35,
100 #22D, M



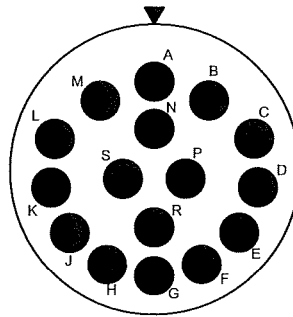
23-36/22-36
H36,
36 #20, I



23-53/22-53
H53,
53 #20, I



23-55/22-55
H55,
55 #20, I



23-97/22-97
H97,
16 #16, I

CONTACT

SIZE LEGEND:



SIZE 22D



SIZE 20



SIZE 16



SIZE 12



SIZE 10



SIZE 8

TOLERANCE
XX ± .010
.XXX ± .005
ANGLES ± 1°

TITLE
MIL-DTL-38999, INSERT ARRANGEMENTS
SERIES I, II & III

SHEET
7 OF 9

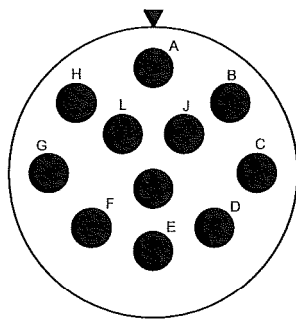
DWG. NO.
MIL-DTL-38999

REV
-

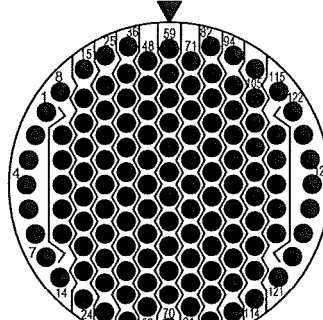
<http://www.corsairelectricalconnectors.com> (949) 833-0273

MIL-DTL-38999

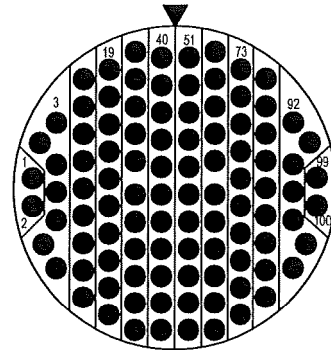
SERIES I, II & III



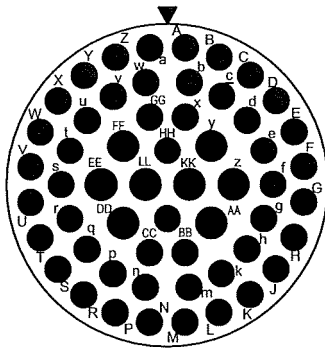
23-99/22-99
H99,
11 #16, II



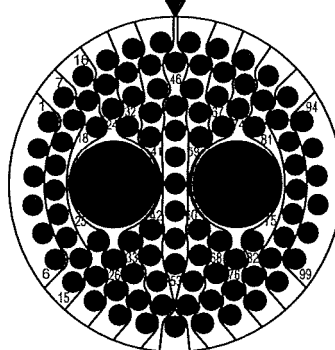
25-1/24-1
J1,
128, #22M, M



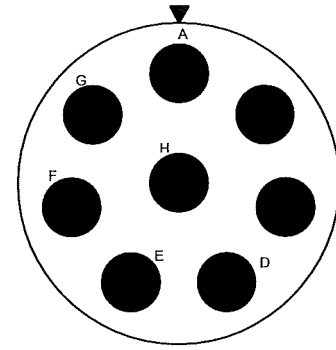
25-2/24-2
J2,
100, #22, M



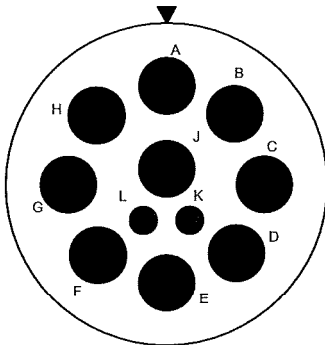
25-4/24-4
J4,
8 #16, 48 #20, I



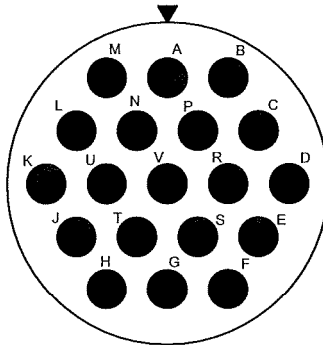
25-7
J7,
2 #8, 97 #22D, M



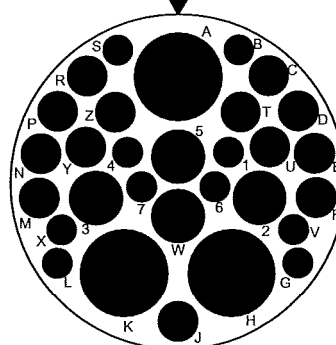
25-8
J8,
8 #12, I TWINAX



25-11
J11,
2 #20 9 #10, N



25-19/24-19
J19,
19 #12, I



25-20/24-20
J20,
3 #8 TWINAX, 4 #12 COAX, 13 #16, 10 #20, M

CONTACT
SIZE LEGEND:



TOLERANCE
XX ± .010
.XXX ± .005
ANGLES ± 1°

TITLE
MIL-DTL-38999, INSERT ARRANGEMENTS
SERIES I, II & III

SHEET
8 OF 9

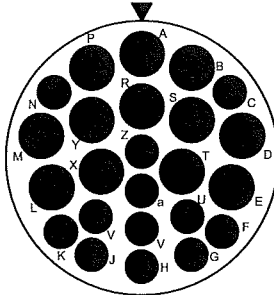
DWG. NO.
MIL-DTL-38999

REV
-

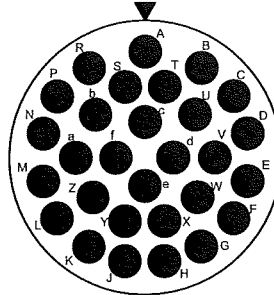
<http://www.corsairelectricalconnectors.com> (949) 833-0273

MIL-DTL-38999

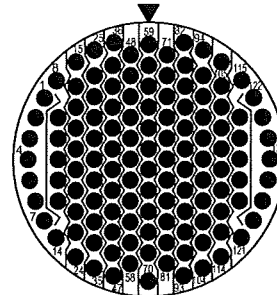
SERIES I, II & III



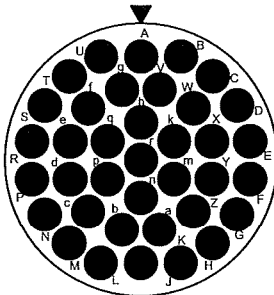
25-24/24-24
J24,
12 #12, 12 #16, I



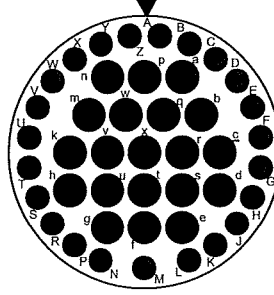
25-29/24-29
J29
29 #16, I



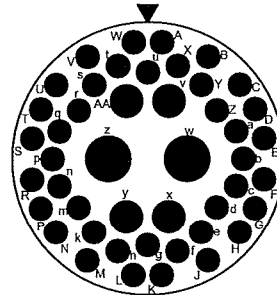
25-35/24-35
J35,
128, #22D, M



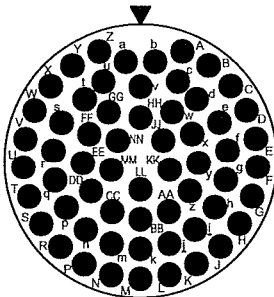
25-37
J37,
37, #16, I



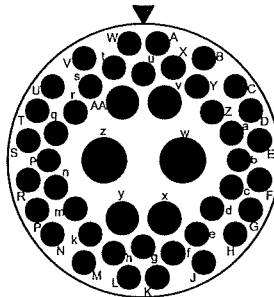
25-43
J43,
20 #16, 23 #20, I



25-46
J46,
2 #8, COAX, 4 #16, 40 #20, I



25-61/24-61
J61,
61 #20, I



25-90
J90,
2 #8, TWINAX, 4 #16, 40 #20, I

CONTACT
SIZE LEGEND:



TOLERANCE
XX ± .010
.XXX ± .005
ANGLES ± 1°

TITLE
MIL-DTL-38999, INSERT ARRANGEMENTS
SERIES I, II & III

SHEET
9 OF 9

DWG. NO.
MIL-DTL-38999

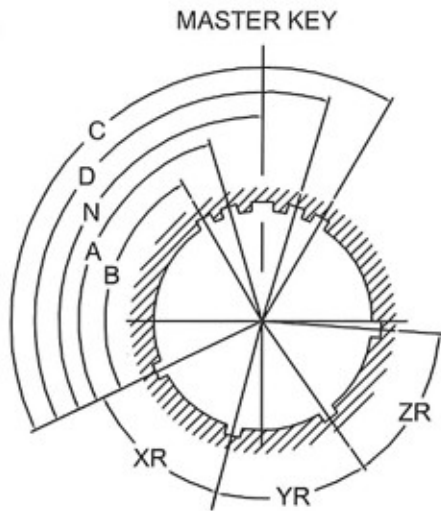
REV

-

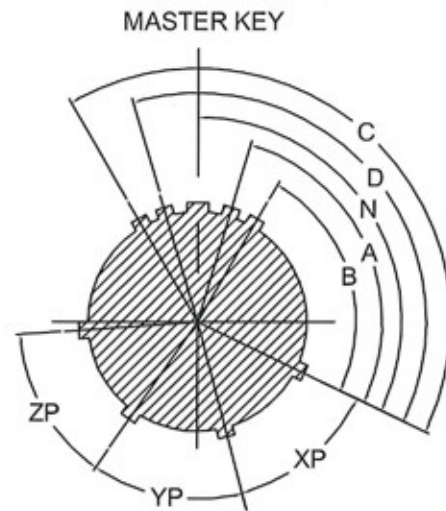
<http://www.corsairelectricalconnectors.com> (949) 833-0273

MIL-DTL-38999

SERIES I & II



RECEPTACLES



PLUGS

SERIES I ASSEMBLIES, MAIN KEY AND KEYWAY POLARIZATION									
SHELL SIZE	F	NORMAL ROTATION				LETTER DESIGNATION			
		N	XR XP	YR YP	ZR ZP	A	B	C	D
9	5°	95°	45°	88°	27°	77°	---	---	113°
11	5°	95°	45°	88°	27°	81°	67°	123°	109°
13	5°	95°	45°	88°	27°	75°	63°	127°	115°
15	5°	95°	45°	88°	27°	74°	61°	129°	116°
17	5°	95°	45°	88°	27°	77°	65°	125°	113°
19	5°	95°	45°	88°	27°	77°	65°	125°	113°
21	5°	95°	45°	88°	27°	77°	65°	125°	113°
23	5°	95°	45°	88°	27°	80°	69°	121°	110°
25	5°	95°	45°	88°	27°	80°	69°	121°	110°

SERIES II ASSEMBLIES, MAIN KEY AND KEYWAY POLARIZATION									
SHELL SIZE	F	NORMAL ROTATION				LETTER DESIGNATION			
		N	XR XP	YR YP	ZR ZP	A	B	C	D
8	10°	100°	28°	100°	37°	82°	---	---	118°
10	10°	100°	28°	100°	37°	86°	72°	128°	114°
12	10°	100°	28°	100°	37°	80°	68°	132°	120°
14	10°	100°	28°	100°	37°	79°	66°	134°	121°
16	10°	100°	28°	100°	37°	82°	70°	130°	118°
18	10°	100°	28°	100°	37°	82°	70°	130°	118°
20	10°	100°	28°	100°	37°	82°	70°	130°	118°
22	10°	100°	28°	100°	37°	85°	74°	126°	115°
24	10°	100°	28°	100°	37°	85°	74°	126°	115°

TOLERANCE
XX ± .010
.XXX ± .005
ANGLES ± 1°

TITLE
MAIN KEY/KEYWAY POLARIZATION, SERIES I AND II,
MIL-DTL-38999

SHEET
1 OF 1

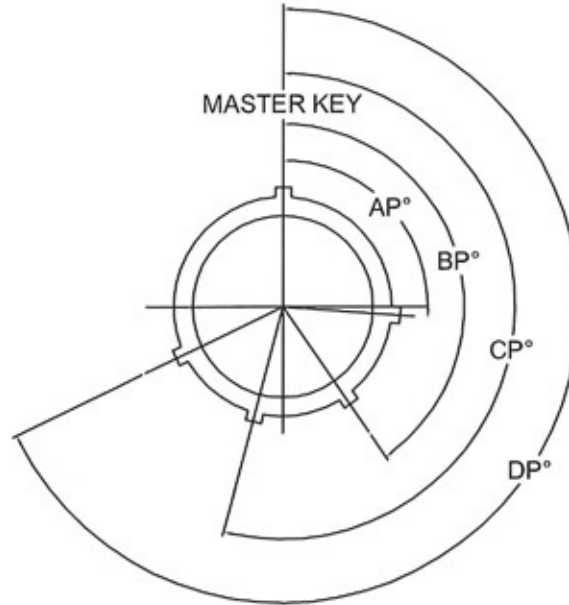
DWG. NO.
D38999

REV
-

<http://www.corsairelectricalconnectors.com> (949) 833-0273

MIL-DTL-38999

SERIES III



MAIN KEY AND KEYWAY POLARIZATION					
SHELL SIZE	KEY AND KEYWAY ARRANGEMENT IDENTIFICATION LETTER	AP° BSC	BP° BSC	CP° BSC	DP° BSC
9	N	105	140	215	265
	A	102	132	248	320
	B	80	118	230	312
	C	35	140	205	275
	D	64	155	234	304
	E	91	131	197	240
11, 13, AND 15	N	95	141	208	236
	A	113	156	182	292
	B	90	1475	195	252
	C	53	156	220	255
	D	119	146	176	298
17 AND 19	E	51	141	184	242
	N	80	142	196	293
	A	135	170	200	310
	B	49	169	200	244
	C	66	140	200	257
21, 23, AND 25	D	62	145	180	280
	E	79	153	197	272
	N	80	142	196	293
	A	135	170	200	310
	B	49	169	200	244

ACCESSORY THREADS			
SHELL SIZE	MS SHELL CODE	ACCESSORY THREAD	NUMBER OF TEETH
9	A	M12 X 1-6g	12
11	B	M15 X 1-6g	16
13	C	M18 X 1-6g	20
15	D	M22 X 1-6g	24
17	E	M25 X 1-6g	28
19	F	M28 X 1-6g	32
21	G	M31 X 1-6g	36
23	H	M34 X 1-6g	40
25	J	M37 X 1-6g	44

MATING THREADS		
SHELL SIZE	MS SHELL SIZE CODE	MATING THREAD
9	A	.6250-0.1P0-.3L
11	B	.7500-0.1-0.3L
13	C	.8750-0.1P-0.3L
15	D	1.000-0.1P0-.3L
17	E	1.18750-0.1P-0.3L
19	F	1.2500-0.1P-0.3L
21	G	1.3750-0.1P0-.3L
23	H	1.500-0.1-0.3L
25	J	1.6250-0.1P-0.3L

TOLERANCE
XX ± .010
.XXX ± .005
ANGLES ± 1°

TITLE
MAIN KEY/KEYWAY POLARIZATION, SERIES III,
MIL-DTL-38999

SHEET
1 OF 1

DWG. NO.
D38999

REV
-

<http://www.corsairelectricalconnectors.com> (949) 833-0273

MIL-DTL-5015

SERIES II



MILITARY PREFIX MS340 01 D J S 24 A - 16 P W

CORSAIR PREFIX AS340 01 D J S 24 A - 16 P W

CONNECTOR CONFIGURATION

- 01 RECEPTACLE, WALL MOUNT
- 11 RECEPTACLE, CABLE CONNECTING
- 21 RECEPTACLE, SINGLE HOLE MOUNT
- 41 RECEPTACLE, JAM NUT
- 61 PLUG, STANDARD

CLASS (MATERIALS/FINISH)

- D ALUMINUM HARDWARE, CADMIUM OVER NICKEL OLIVE DRAB FINISH, SILICONE ELASTOMER
- DS STAINLESS STEEL (316) HARDWARE, BLACK CADMIUM FINISH, SILICONE ELASTOMER.
- LS STAINLESS STEEL, PASSIVATED, FLUID RESISTANT INSERT
- L ALUMINUM, ELECTROLESS NICKEL
- W ALUMINUM, OLIVE DRAB CADMIUM OVER ELECTROLESS NICKEL BASE, (500 HR CORROSION RESISTANT)

BACKSHELL DESIGNATOR

- J ENVIROMENTAL BACKSHELL AND CONNECTOR ASSEMBLY.

BACKSHELL CLASS CODE

- S STAINLESS STEEL (316) CONNECTOR AND BACKSHELL

SHELL SIZE

8S, 10S, 10SL, 12, 12S, 14, 14S, 16, 16S, 18, 20, 22, 24, 28, 32, 36, 40,44, AND 48

SEALING RANGE

BACKSHELL SEALING RANGE WHEN ORDERING "DJ" ASSEMBLIES.

INSERT ARRANGEMENT

REFER TO LAYOUT PATTERNS PER MIL-DTL-1651

CONTACT TYPE

- P PIN
- S SOCKET
- A CONNECTOR LESS PINS
- B CONNECTOR LESS SOCKETS

POLARIZATION

N NORMAL (NOT INCLUDED IN PART NUMBER)
W, X, Y, OR Z ALTERNATE POSITIONS, REFER TO POLARIZATION CHART

GENERAL SPECIFICATIONS

FRONT RELEASE CONTACT RETENTION SYSTEM. 14 SHELL SIZES (8 TO 40) IN OVER 150 INSERT ARRANGEMENTS UTILIZING CONTACT SIZES 16, 16S, 12, 8, 4, AND 0 GAGE CRIMP CONTACTS PER MIL-C-5015 THREADED COUPLING MECHANISM.

OPERATING TEMPERATURE RANGE:

CLASS L: -55 C (-67 F) TO 200 C (392 F)
CLASS W: -55 C (-67 F) TO 175 C (347 F)

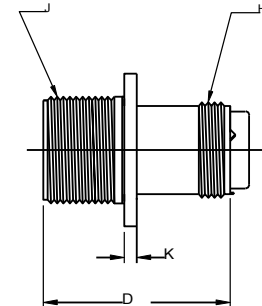
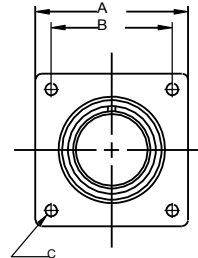
ENVIRONMENTAL FLOUROSILICONE ELASTOMERS

REFER TO ADDITIONAL CONTACT AND TOOLING INFORMATION

TOLERANCE XX ± .010 .XXX ± .005 ANGLES ± 1°	TITLE MIL-DTL-5015, SERIES II, CORSAIR PART NUMBER CROSS REFERENCE	SHEET 1 OF 1	DWG. NO. M5015	REV -
		http://www.corsairelectricalconnectors.com (949) 833-0273		

AS34001

MIL-DTL-5015 SERIES II



Shell Size	A ±.031	B	C		D		H Thread Class 2A	J Thread Class 2B	K
			A, F, R & W	K	16 & 12	8, 4 & 0			
8S	.875	.594	.120	.150	2.031	-	1/2-20 UNEF	1/2-28 UNEF	.083
10S	1.000	.719	.120	.150	2.031	-	5/8-24 UNEF	5/8-24 UNEF	.083
10SL	1.000	.719	.120	.150	2.031	-	5/8-24 UNEF	5/8-24 UNEF	.083
12	1.094	.812	.120	.150	2.125	-	3/4-20 UNEF	3/4-20 UNEF	.083
12S	1.094	.812	.120	.150	2.031	-	3/4-20 UNEF	3/4-20 UNEF	.083
14	1.188	.906	.120	.150	2.125	-	7/8-20 UNEF	7/8-20 UNEF	.083
14S	1.188	.906	.120	.150	2.031	-	7/8-20 UNEF	7/8-20 UNEF	.083
16	1.281	.969	.120	.150	2.125	2.500	1-20 UNEF	1-20 UNEF	.083
16S	1.281	.969	.120	.150	2.031	-	1-20 UNEF	1-20 UNEF	.083
18	1.375	1.062	.120	.177	2.125	2.500	1 1/16-18 UNEF	1 1/8-18 UNEF	.125
20	1.500	1.156	.120	.177	2.125	2.500	1 3/16-18 UNEF	1 1/4-18 UNEF	.125
22	1.625	1.250	.120	.177	2.125	2.500	1 5/16-18 UNEF	1 3/8-18 UNEF	.125
24	1.750	1.375	.147	.177	2.125	2.500	1 7/16-18 UNEF	1 1/2-18 UNEF	.125
28	2.000	1.562	.147	.177	2.125	2.500	1 3/4-18 UNS	1 3/4-18 UNS	.125
32	2.250	1.750	.173	.209	2.125	2.500	2 18 UNS	2 18 UNS	.125
36	2.500	1.938	.173	.209	2.125	2.500	2 1/4-16 UN	2 1/4-16 UN	.125
40	2.750	2.188	.173	.209	2.125	2.500	2 1/2-16 UN	2 1/2-16 UN	.125
44	3.000	2.375	.173	.209	2.125	2.500	2 3/4-16 UN	2 3/4-16 UN	.125
48	3.250	2.625	.173	.209	2.125	2.500	3-16 UN	3-16 UN	.125

TOLERANCE
XX ± .010
.XXX ± .005
ANGLES ± 1°

TITLE
CONNECTOR, ELECTRICAL, WALL MTG.
RECEPTACLE, CRIMP CONTACTS, MIL-DTL-5015 SERIES II

SHEET
1 OF 1

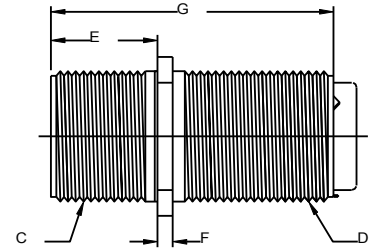
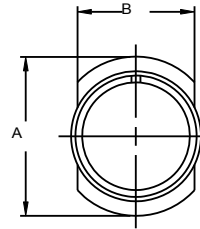
DWG. NO.
AS34001

REV
-

<http://www.corsairelectricalconnectors.com> (949) 833-0273

AS34011

MIL-DTL-5015 SERIES II



Shell Size	A ±.031	B		C Coupling Threads Class 2A	D Accessory Thread Class 2A	E +.031 -0.000	F ±.015	G	
		Max	Min					Max Contact Size 16 & 12	8, 4, & 0
8S	0.729	0.504	0.496	1/2-28 UNEF	1/2-20 UNEF	0.562	0.830	2.031	-
10S	0.854	0.629	0.621	5/8-24 UNEF	5/8-24 UNEF	0.562	0.830	2.031	-
10SL	0.854	0.629	0.621	5/8-24 UNEF	5/8-24 UNEF	0.562	0.830	2.031	-
12S	0.974	0.754	0.746	3/4-20 UNEF	3/4-20 UNEF	0.562	0.830	2.031	-
12	0.974	0.754	0.746	3/4-20 UNEF	3/4-20 UNEF	0.750	0.830	2.125	-
14S	1.099	0.879	0.871	7/8-20 UNEF	7/8-20 UNEF	0.562	0.830	2.031	-
14	1.099	0.879	0.871	7/8-20 UNEF	7/8-20 UNEF	0.750	0.830	2.125	-
16S	1.224	1.005	0.996	1-20 UNEF	1-20 UNEF	0.562	0.830	2.031	-
16	1.224	1.005	0.996	1-20 UNEF	1-20 UNEF	0.750	0.830	2.125	2.500
18	1.349	1.131	1.121	1 1/8-18 UNEF	1 1/16-18 UNEF	0.750	0.125	2.125	2.500
20	1.474	1.256	1.246	1 1/4-18 UNEF	1 3/16-18 UNEF	0.750	0.125	2.125	2.500
22	1.599	1.381	1.371	1 3/8-18 UNEF	1 5/16-18 UNEF	0.750	0.125	2.125	2.500
24	1.715	1.506	1.496	1 1/2-18 UNEF	1 7/16-18 UNEF	0.812	0.125	2.125	2.500
28	1.974	1.756	1.746	1 3/4-18 UNS	1 3/4-18 UNEF	0.812	0.125	2.125	2.500
32	2.224	2.007	1.996	2-18 UNS	2-18 UNS	0.875	0.125	2.125	2.500
36	2.474	2.257	2.246	2 1/4-16 UN	2 1/4-16 UN	0.875	0.125	2.125	2.500
40	2.724	2.511	2.496	2 1/2-16 UN	2 1/2-16 UN	0.875	0.125	2.125	2.500
44	2.974	2.746	2.761	2 3/4-16 UN	2 3/4-16 UN	0.875	0.125	2.125	2.500
48	3.224	2.996	3.011	3-16 UN	3-16 UN	0.875	0.125	2.125	2.500

TOLERANCE
XX ± .010
.XXX ± .005
ANGLES ± 1°

TITLE
CONNECTOR, ELECTRICAL, CABLE MTG.
RECEPTACLE ,CRIMP CONTACTS, MIL-DTL-5015 SERIES II

SHEET
1 OF 1

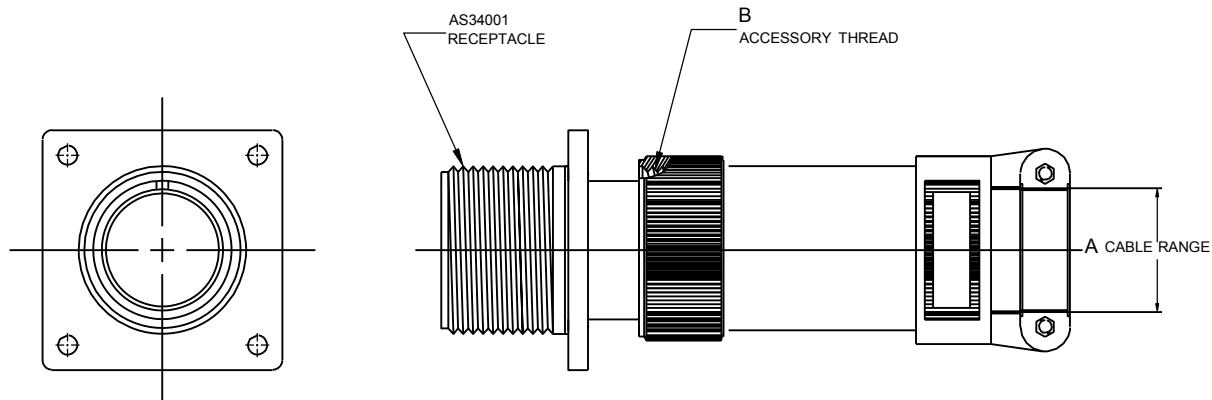
DWG. NO.
AS34011

REV
-

<http://www.corsairelectricalconnectors.com> (949) 833-0273

AS34001DJ

MIL-DTL-5015 SERIES II



Assembly P/N	Backshell P/N	Superseding Assembly N°	'A' Cable Entry		'B' Thread Class 2
			Max	Min	
MS3400DJ 10 A- XX	AS85049/11-9W	MS3437B-9A	0.312	0.125	.625-24UNEF
MS3400DJ 10 B- XX	AS85049/11-11W	MS3437B-11A	0.437	0.250	.625-24UNEF
MS3400DJ 10 D- XX	AS85049/11-136W	MS3437B-136A	0.375	0.250	.625-24UNEF
MS3400DJ 11 A- XX	AS85049/11-9W	MS3437B-9A	0.312	0.125	.625-24UNEF
MS3400DJ 11 B- XX	AS85049/11-11W	MS3437B-11A	0.437	0.250	.625-24UNEF
MS3400DJ 11 D- XX	AS85049/11-136W	MS3437B-136A	0.375	0.250	.625-24UNEF
MS3400DJ 12 A- XX	AS85049/11-114W	MS3437B-114A	0.312	0.125	.750-20UNEF
MS3400DJ 12 B- XX	AS85049/11-15W	MS3437B-15A	0.625	0.350	.750-20UNEF
MS3400DJ 12 D- XX	AS85049/11-138W	MS3437B-138A	0.500	0.350	.750-20UNEF
MS3400DJ 12 E- XX	AS85049/11-13W	MS3437B-13A	0.437	0.250	.750-20UNEF
MS3400DJ 13 A- XX	AS85049/11-114W	MS3437B-114A	0.312	0.125	.750-20UNEF
MS3400DJ 13 B- XX	AS85049/11-15W	MS3437B-15A	0.625	0.350	.750-20UNEF
MS3400DJ 13 D- XX	AS85049/11-138W	MS3437B-138A	0.500	0.350	.750-20UNEF
MS3400DJ 13 E- XX	AS85049/11-13W	MS3437B-13A	0.437	0.250	.750-20UNEF
MS3400DJ 14 A- XX	AS85049/11-116W	MS3437B-116A	0.437	0.250	.875-20UNEF
MS3400DJ 14 B- XX	AS85049/11-19W	MS3437B-19A	0.750	0.500	.875-20UNEF
MS3400DJ 14 D- XX	AS85049/11-17W	MS3437B-17A	0.575	0.350	.875-20UNEF
MS3400DJ 14 E- XX	AS85049/11-150W	MS3437B-150A	0.312	0.125	.875-20UNEF
MS3400DJ 15 A- XX	AS85049/11-116W	MS3437B-116A	0.437	0.250	.875-20UNEF
MS3400DJ 15 B- XX	AS85049/11-19W	MS3437B-19A	0.750	0.500	.875-20UNEF
MS3400DJ 15 D- XX	AS85049/11-17W	MS3437B-17A	0.575	0.350	.875-20UNEF
MS3400DJ 15 E- XX	AS85049/11-150W	MS3437B-150A	0.312	0.125	.875-20UNEF
MS3400DJ 16 A- XX	AS85049/11-21W	MS3437B-21A	0.700	0.500	1.000-20UNEF
MS3400DJ 16 B- XX	AS85049/11-23W	MS3437B-23A	0.937	0.625	1.000-20UNEF
MS3400DJ 16 D- XX	AS85049/11-112W	MS3437B-112A	0.437	0.250	1.000-20UNEF
MS3400DJ 16 E- XX	AS85049/11-118W	MS3437B-118A	0.625	0.350	1.000-20UNEF

TOLERANCE
 XX ± .010
 .XXX ± .005
 ANGLES ± 1°

TITLE
 CONNECTOR, ELECTRICAL, WALL MTG.
 RECEPTACLE W/BACKSHELL & CLAMP
 CRIMP CONTACTS, MIL-DTL-5015 SERIES II

SHEET
 1 OF 3

DWG. NO.
 AS34001DJ

REV
 -

<http://www.corsairelectricalconnectors.com> (949) 833-0273

AS34001DJ

MIL-DTL-5015 SERIES II



Assembly P/N	Backshell P/N	Superseding Assembly N°	'A' Cable Entry		'B' Thread Class 2
			Max	Min	
MS3400DJ 16 A- XX	AS85049/11-21W	MS3437B-21A	0.700	0.500	1.000-20UNEF
MS3400DJ 16 B- XX	AS85049/11-23W	MS3437B-23A	0.937	0.625	1.000-20UNEF
MS3400DJ 16 D- XX	AS85049/11-112W	MS3437B-112A	0.437	0.250	1.000-20UNEF
MS3400DJ 16 E- XX	AS85049/11-118W	MS3437B-118A	0.625	0.350	1.000-20UNEF
MS3400DJ 17 A- XX	AS85049/11-21W	MS3437B-21A	0.700	0.500	1.000-20UNEF
MS3400DJ 17 B- XX	AS85049/11-23W	MS3437B-23A	0.937	0.625	1.000-20UNEF
MS3400DJ 17 D- XX	AS85049/11-112W	MS3437B-112A	0.437	0.250	1.000-20UNEF
MS3400DJ 17 E- XX	AS85049/11-118W	MS3437B-118A	0.625	0.350	1.000-20UNEF
MS3400DJ 18 A- XX	AS85049/11-25W	MS3437B-25A	0.625	0.350	1.125-18UNEF
MS3400DJ 18 B- XX	AS85049/11-27W	MS3437B-27A	0.750	0.500	1.125-18UNEF
MS3400DJ 18 E- XX	AS85049/11-120W	MS3437B-120A	0.312	0.125	1.125-18UNEF
MS3400DJ 18 F- XX	AS85049/11-122W	MS3437B-122A	0.437	0.250	1.125-18UNEF
MS3400DJ 12 A- XX	AS85049/11-31W	MS3437B-31A	0.625	0.350	1.250-18UNEF
MS3400DJ 20 B- XX	AS85049/11-33W	MS3437B-33A	0.750	0.500	1.250-18UNEF
MS3400DJ 20 E- XX	AS85049/11-37W	MS3437B-37A	1.250	0.875	1.250-18UNEF
MS3400DJ 20 F- XX	AS85049/11-124W	MS3437B-124A	0.437	0.250	1.250-18UNEF
MS3400DJ 22 A- XX	AS85049/11-140W	MS3437B-140A	0.904	0.625	1.250-18UNEF
MS3400DJ 22 B- XX	AS85049/11-39W	MS3437B-39A	0.625	0.350	1.375-18UNEF
MS3400DJ 22 D- XX	AS85049/11-41W	MS3437B-41A	0.750	0.500	1.375-18UNEF
MS3400DJ 22 A- XX	AS85049/11-43W	MS3437B-43A	0.937	0.625	1.375-18UNEF
MS3400DJ 22 E- XX	AS85049/11-45W	MS3437B-45A	1.250	0.875	1.375-18UNEF
MS3400DJ 22 F- XX	AS85049/11-125W	MS3437B-125A	0.312	0.125	1.375-18UNEF
MS3400DJ 22 G- XX	AS85049/11-128W	MS3437B-128A	0.437	0.250	1.375-18UNEF
MS3400DJ 22 H- XX	AS85049/11-142W	MS3437B-142A	1.029	0.875	1.375-18UNEF
MS3400DJ 24 A- XX	AS85049/11-47W	MS3437B-47A	0.750	0.500	1.500-18UNEF
MS3400DJ 24 B- XX	AS85049/11-49W	MS3437B-49A	0.812	0.625	1.500-18UNEF
MS3400DJ 24 D- XX	AS85049/11-51W	MS3437B-51A	0.937	0.625	1.500-18UNEF
MS3400DJ 24 E- XX	AS85049/11-53W	MS3437B-53A	1.250	0.875	1.500-18UNEF
MS3400DJ 24 F- XX	AS85049/11-130W	MS3437B-130A	0.625	0.350	1.500-18UNEF
MS3400DJ 24 G- XX	AS85049/11-144W	MS3437B-144A	1.144	0.875	1.500-18UNEF
MS3400DJ 28 A- XX	AS85049/11-55W	MS3437B-55A	0.750	0.500	1.750-18UNS
MS3400DJ 28 B- XX	AS85049/11-57W	MS3437B-57A	0.937	0.625	1.750-18UNS
MS3400DJ 28 D- XX	AS85049/11-59W	MS3437B-59A	1.250	0.875	1.750-18UNS
MS3400DJ 28 E- XX	AS85049/11-61W	MS3437B-61A	1.375	1.000	1.750-18UNS
MS3400DJ 32 A- XX	AS85049/11-63W	MS3437B-63A	0.937	0.625	2.00-18UNS
MS3400DJ 32 B- XX	AS85049/11-65W	MS3437B-65A	1.250	0.875	2.00-18UNS
MS3400DJ 32 D- XX	AS85049/11-67W	MS3437B-67A	1.375	1.000	2.00-18UNS
MS3400DJ 32 E- XX	AS85049/11-69W	MS3437B-69A	1.625	1.250	2.00-18UNS

TOLERANCE
XX ± .010
.XXX ± .005
ANGLES ± 1°

TITLE
CONNECTOR, ELECTRICAL, WALL MTG.
RECEPTACLE W/BACKSHELL & CLAMP
CRIMP CONTACTS, MIL-DTL-5015 SERIES II

SHEET
2 OF 3

DWG. NO.
AS34001DJ

REV
-

<http://www.corsairelectricalconnectors.com> (949) 833-0273

AS34001DJ

MIL-DTL-5015 SERIES II



AS34001DJ CONNECTORS

Assembly P/N	Backshell P/N	Superseding Assembly N°	'A' Cable Entry		'B' Thread Class 2
			Max	Min	
MS3400DJ 32 A- XX	AS85049/11-63W	MS3437B-63A	0.937	0.625	2.00-18UNS
MS3400DJ 32 B- XX	AS85049/11-65W	MS3437B-65A	1.250	0.875	2.00-18UNS
MS3400DJ 32 D- XX	AS85049/11-67W	MS3437B-67A	1.375	1.000	2.00-18UNS
MS3400DJ 32 E- XX	AS85049/11-69W	MS3437B-69A	1.625	1.250	2.00-18UNS
MS3400DJ 36 A- XX	AS85049/11-71W	MS3437B-71A	1.250	0.875	2.250-16UN
MS3400DJ 36 B- XX	AS85049/11-73W	MS3437B-73A	1.375	1.000	2.250-16UN
MS3400DJ 36 D- XX	AS85049/11-75W	MS3437B-75A	1.625	1.250	2.250-16UN
MS3400DJ 36 E- XX	AS85049/11-146W	MS3437B-146A	1.840	1.437	2.250-16UN
MS3400DJ 36 G- XX	AS85049/11-132W	MS3437B-132A	0.750	0.500	2.250-16UN
MS3400DJ 36 F- XX	AS85049/11-148W	MS3437B-148A	0.937	0.625	2.250-16UN
MS3400DJ 40 A- XX	AS85049/11-79W	MS3437B-79A	1.250	0.875	2.500-16UN
MS3400DJ 40 B- XX	AS85049/11-81W	MS3437B-81A	1.375	1.000	2.500-16UN
MS3400DJ 40 D- XX	AS85049/11-83W	MS3437B-83A	1.625	1.250	2.500-16UN
MS3400DJ 40 E- XX	AS85049/11-85W	MS3437B-85A	1.840	1.437	2.500-16UN
MS3400DJ 40 F- XX	AS85049/11-134W	MS3437B-134A	0.750	0.500	2.500-16UN
MS3400DJ 44 A- XX	AS85049/11-87W	MS3437B-87A	1.250	0.875	2.750-16UN
MS3400DJ 44 B- XX	AS85049/11-89W	MS3437B-89A	1.375	1.000	2.750-16UN
MS3400DJ 44 D- XX	AS85049/11-91W	MS3437B-91A	1.625	1.250	2.750-16UN
MS3400DJ 44 E- XX	AS85049/11-93W	MS3437B-93A	1.840	1.437	2.750-16UN
MS3400DJ 44 F- XX	AS85049/11-154W	MS3437B-154A	0.937	0.625	2.750-16UN

TOLERANCE
XX ± .010
.XXX ± .005
ANGLES ± 1°

TITLE
CONNECTOR, ELECTRICAL, WALL MTG.
RECEPTACLE W/BACKSHELL & CLAMP
CRIMP CONTACTS, MIL-DTL-5015 SERIES II

SHEET
3 OF 3

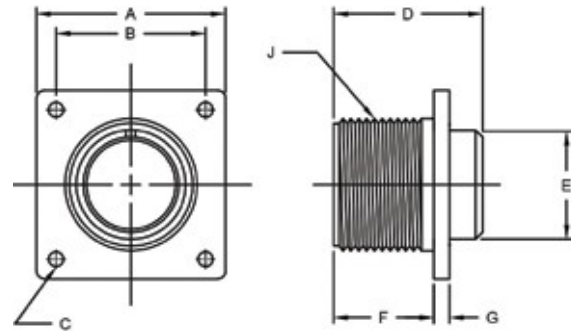
DWG. NO.
AS34001DJ

REV
-

<http://www.corsairelectricalconnectors.com> (949) 833-0273

AS34021

MIL-DTL-5015 SERIES II



SHELL SIZE	A ±.31	B T.P.	C	D Size 16 & 12 Contacts	D Size 8, 4 & 0 Contacts	E ±.016	F	G ±.015	J THREAD CLASS 2B
8S	.875	.594	.130/.115	1.662	-	.500	.578/.562	.083	1/2-28 UNEF
10S	1.000	.719	.130/.115	1.662	-	.625	.578/.562	.083	5/8-24 UNEF
10SL	1.000	.719	.130/.115	1.662	-	.625	.578/.562	.083	5/8-24 UNEF
12	1.094	.812	.130/.115	1.662	-	.750	.765/.750	.083	3/4-20 UNEF
12S	1.094	.812	.130/.115	1.662	-	.750	.577/.562	.083	3/4-20 UNEF
14	1.188	.906	.130/.115	1.662	-	.875	.765/.750	.083	7/8-20 UNEF
14S	1.188	.906	.130/.115	1.662	-	.875	.577/.562	.083	7/8-20 UNEF
16	1.281	.969	.130/.115	1.662	1.937	1.000	.765/.750	.083	1-20 UNEF
16S	1.281	.969	.130/.115	1.662	-	1.000	.577/.562	.083	1-20 UNEF
18	1.375	1.062	.130/.115	1.662	1.937	1.062	.765/.750	.125	1-1/8-18 UNEF
20	1.500	1.156	.130/.115	1.662	1.937	1.187	.765/.750	.125	1-1/4-18 UNEF
22	1.625	1.250	.130/.115	1.662	1.937	1.312	.765/.750	.125	1-3/8-18 UNEF
24	1.750	1.375	.130/.115	1.662	1.937	1.437	.827/.812	.125	1-1/2-18 UNEF
28	2.000	1.562	.130/.115	1.662	1.937	1.750	.827/.812	.125	1-3/4-18 UNS
32	2.250	1.750	.130/.115	1.662	1.937	2.000	.988/.875	.125	2-18 UNS
36	2.500	1.938	.130/.115	1.662	1.937	2.250	.988/.875	.125	2-1/4-16 UN
40	2.750	2.188	.130/.115	1.662	1.937	2.500	.988/.875	.125	2-1/2-16 UN
44	3.000	2.375	.130/.115	1.662	1.937	2.750	.988/.875	.125	2-3/4-16 UN
48	3.250	2.625	.130/.115	1.662	1.937	3.000	.988/.875	.125	3-16 UN

TOLERANCE
XX ± .010
.XXX ± .005
ANGLES ± 1°

TITLE
CONNECTOR, ELECTRICAL, BOX WALL MTG.
RECEPTACLE, CRIMP CONTACTS, MIL-DTL-5015 SERIES II

SHEET
1 OF 1

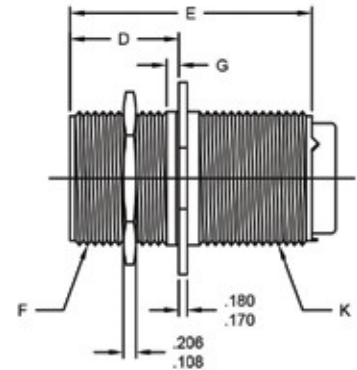
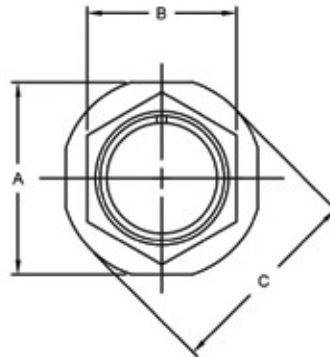
DWG. NO.
AS34021

REV
-

<http://www.corsairelectricalconnectors.com> (949) 833-0273

AS34041

MIL-DTL-5015 SERIES II



Size	A Max.		B ±.005	C +.000 -.005	D +.015 -.000	E ±.005	F ±.010	G ±.006	H	J Coupling Thread Class 2A	K Accessory Thread Class 2A
	Size 10, 12	Size 14, 16, 18									
8S	2.031	-	.720	.500	.505	1.072	.865	.326	.020	1/2-28 UNEF	1/2-20 UNEF
10S	2.031	-	.720	.625	.630	1.193	.990	.385	.020	5/8-24 UNEF	5/8-24 UNEF
10SL	2.031	-	.720	.625	.630	1.193	.990	.385	.020	5/8-24 UNEF	5/8-24 UNEF
12S	2.031	-	.720	.750	.755	1.317	1.050	.448	.020	3/4-20 UNEF	3/4-20 UNEF
12	2.125	-	.966	.750	.755	1.317	1.050	.448	.020	3/4-20 UNEF	3/4-20 UNEF
14S	2.031	-	.720	.875	.880	1.443	1.175	.510	.020	7/8-20 UNEF	7/8-20 UNEF
14	2.125	-	.966	.875	.880	1.443	1.175	.510	.020	7/8-20 UNEF	7/8-20 UNEF
16S	2.031	-	.720	1.000	1.005	1.567	1.300	.573	.020	1-20 UNEF	1-20 UNEF
16	2.125	2.500	.966	1.000	1.005	1.567	1.300	.573	.020	1-20 UNEF	1-20 UNEF
18	2.125	2.500	.966	1.125	1.130	1.693	1.425	.635	.020	1 1/8-18 UNEF	1 1/16-18 UNEF
20	2.125	2.500	.966	1.250	1.255	1.817	1.550	.698	.020	1 1/4-18 UNEF	1 3/16-18 UNEF
22	2.125	2.500	.966	1.375	1.380	1.943	1.550	.760	.026	1 3/8-18 UNEF	1 5/16-18 UNEF
24	2.125	2.500	.966	1.500	1.505	2.067	1.800	.823	.026	1 1/2-18 UNEF	1 7/16-18 UNEF
28	2.125	2.500	.966	1.750	1.755	2.317	1.925	.948	.026	1 3/4-18 UNS	1 3/4-18 UNEF
32	2.125	2.500	.966	2.000	2.003	2.567	2.175	1.073	.026	2-18 UNS	2-18 UNS
36	2.125	2.500	.966	2.250	2.255	2.817	2.550	1.198	.026	2 1/4-16 UN	2 1/4-16 UN
40	2.125	2.500	.966	2.500	2.505	3.061	2.800	1.323	.026	2 1/2-16 UN	2 1/2-16 UN
44	2.125	2.500	.966	2.750	2.755	3.311	3.050	1.448	.026	2 3/4-16 UN	2 3/4-16 UN
48	2.125	2.500	.966	3.000	3.005	.561	3.300	1.573	.026	3-16 UN	3-16 UN

TOLERANCE
XX ± .010
.XXX ± .005
ANGLES ± 1°

TITLE
CONNECTOR, ELECTRICAL, JAM NUT MTG.
RECEPTACLE, CRIMP CONTACTS, MIL-DTL-5015 SERIES II

SHEET
1 OF 1

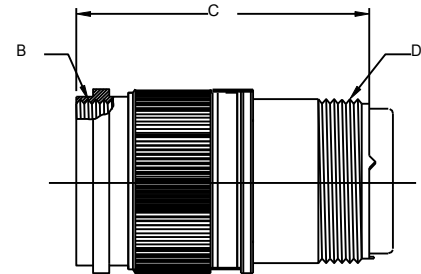
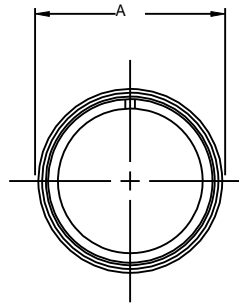
DWG. NO.
AS34041

REV
-

<http://www.corsairelectricalconnectors.com> (949) 833-0273

AS34061

MIL-DTL-5015 SERIES II



Shell Size	A Max.	B Max Contact Size		C Coupling Threads Class 2B	D Accessory Thread Class 2A
		16 & 12	8, 4, & 0		
8S	0.844	2.031	-	1/2-28 UNEF	1/2-20 UNEF
10S	0.969	2.031	-	5/8-24 UNEF	5/8-24 UNEF
10SL	0.969	2.031	-	5/8-24 UNEF	5/8-24 UNEF
12S	1.062	2.031	-	3/4-20 UNEF	3/4-20 UNEF
12	1.062	2.125	-	3/4-20 UNEF	3/4-20 UNEF
14S	1.156	2.031	-	7/8-20 UNEF	7/8-20 UNEF
14	1.156	2.125	-	7/8-20 UNEF	7/8-20 UNEF
16S	1.250	2.031	-	1-20 UNEF	1-20 UNEF
16	1.250	2.125	2.500	1-20 UNEF	1-20 UNEF
18	1.344	2.125	2.500	1 1/8-18 UNEF	1 1/16-18 UNEF
20	1.469	2.125	2.500	1 1/4-18 UNEF	1 3/16-18 UNEF
22	1.594	2.125	2.500	1 3/8-18 UNEF	1 5/16-18 UNEF
24	1.719	2.125	2.500	1 1/2-18 UNEF	1 7/16-18 UNEF
28	1.969	2.125	2.500	1 3/4-18 UNS	1 3/4-18 UNEF
32	2.219	2.125	2.500	2-18 UNS	2-18 UNS
36	2.469	2.125	2.500	2 1/4-16 UN	2 1/4-16 UN
40	2.719	2.125	2.500	2 1/2-16 UN	2 1/2-16 UN

TOLERANCE
XX ± .010
.XXX ± .005
ANGLES ± 1°

TITLE
CONNECTOR, ELECTRICAL, PLUG
CRIMP CONTACTS, MIL-DTL-5015 SERIES II

SHEET
1 OF 1

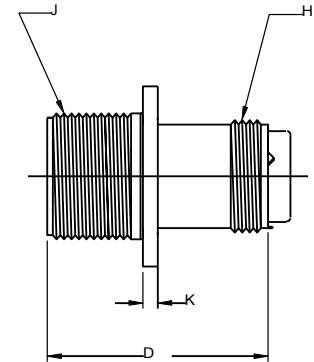
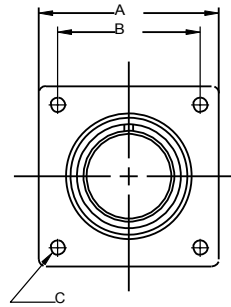
DWG. NO.
AS34061

REV
-

<http://www.corsairelectricalconnectors.com> (949) 833-0273

AS34121

MIL-DTL-5015 SERIES II



SHELL SIZE	A ±.031	B T.P.	C +.010 -.005	D		H THREAD CLASS 2A	J THREAD CLASS 2B	K
				16 & 12	8, 4 & 0			
8S	.875	.594	.120	1.662	-	1/2-20 UNEF	1/2-28 UNEF	.083
10S	1.000	.719	.120	1.662	-	5/8-24 UNEF	5/8-24 UNEF	.083
10SL	1.000	.719	.120	1.662	-	5/8-24 UNEF	5/8-24 UNEF	.083
12	1.094	.812	.120	1.662	-	3/4-20 UNEF	3/4-20 UNEF	.083
12S	1.094	.812	.120	1.662	-	3/4-20 UNEF	3/4-20 UNEF	.083
14	1.188	.906	.120	1.662	-	7/8-20 UNEF	7/8-20 UNEF	.083
14S	1.188	.906	.120	1.662	-	7/8-20 UNEF	7/8-20 UNEF	.083
16	1.281	.969	.120	1.662	1.937	1-20 UNEF	1-20 UNEF	.083
16S	1.281	.969	.120	1.662	-	1-20 UNEF	1-20 UNEF	.083
18	1.375	1.062	.120	1.662	1.937	1 1/16-18 UNEF	1 1/8-18 UNEF	.125
20	1.500	1.156	.120	1.662	1.937	1 3/16-18 UNEF	1 1/4-18 UNEF	.125
22	1.625	1.250	.120	1.662	1.937	1 5/16-18 UNEF	1 3/8-18 UNEF	.125
24	1.750	1.375	.147	1.662	1.937	1 7/16-18 UNEF	1 1/2-18 UNEF	.125
28	2.000	1.562	.147	1.662	1.937	1 3/4-18 UNS	1 3/4-18 UNS	.125
32	2.250	1.750	.173	1.662	1.937	2 18 UNS	2 18 UNS	.125
36	2.500	1.938	.173	1.662	1.937	2 1/4-16 UN	2 1/4-16 UN	.125
40	2.750	2.188	.173	1.662	1.937	2 1/2-16 UN	2 1/2-16 UN	.125

TOLERANCE
XX ± .010
.XXX ± .005
ANGLES ± 1°

TITLE
CONNECTOR, ELECTRICAL, WALL MTG.
RECEPTACLE ,CRIMP CONTACTS, MIL-DTL-5015 SERIES II

SHEET
1 OF 1

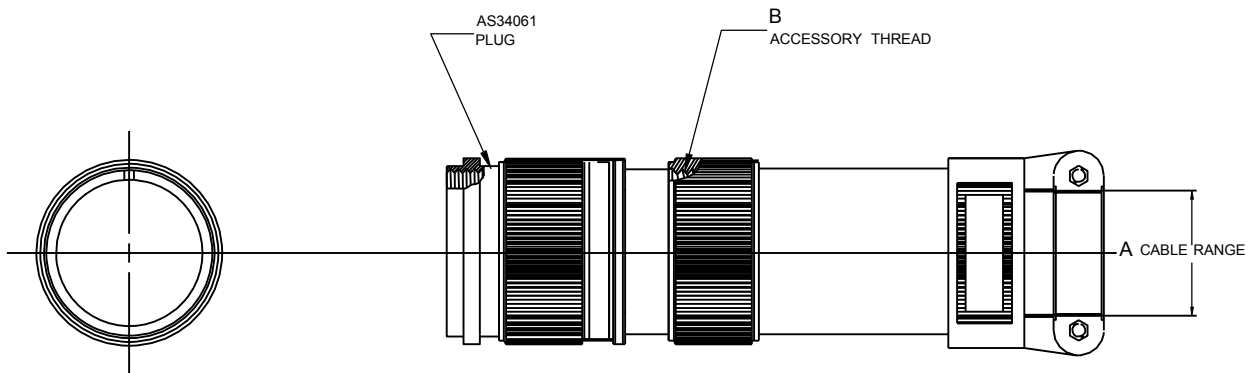
DWG. NO.
AS34121

REV
-

<http://www.corsairelectricalconnectors.com> (949) 833-0273

AS34061DJ

MIL-DTL-5015 SERIES II



Assembly P/N	Backshell P/N	Superseding Assembly N ^o	'A' Cable Entry		'B' Thread Class 2
			Max	Min	
MS3406DJ 10 A- XX	AS85049/11-9W	MS3437B-9A	0.312	0.125	.625-24UNEF
MS3406DJ 10 B- XX	AS85049/11-11W	MS3437B-11A	0.437	0.250	.625-24UNEF
MS3406DJ 10 D- XX	AS85049/11-136W	MS3437B-136A	0.375	0.250	.625-24UNEF
MS3406DJ 11 A- XX	AS85049/11-9W	MS3437B-9A	0.312	0.125	.625-24UNEF
MS3406DJ 11 B- XX	AS85049/11-11W	MS3437B-11A	0.437	0.250	.625-24UNEF
MS3406DJ 11 D- XX	AS85049/11-136W	MS3437B-136A	0.375	0.250	.625-24UNEF
MS3406DJ 12 A- XX	AS85049/11-114W	MS3437B-114A	0.312	0.125	.750-20UNEF
MS3406DJ 12 B- XX	AS85049/11-15W	MS3437B-15A	0.625	0.350	.750-20UNEF
MS3406DJ 12 D- XX	AS85049/11-138W	MS3437B-138A	0.500	0.350	.750-20UNEF
MS3406DJ 12 E- XX	AS85049/11-13W	MS3437B-13A	0.437	0.250	.750-20UNEF
MS3406DJ 13 A- XX	AS85049/11-114W	MS3437B-114A	0.312	0.125	.750-20UNEF
MS3406DJ 13 B- XX	AS85049/11-15W	MS3437B-15A	0.625	0.350	.750-20UNEF
MS3406DJ 13 D- XX	AS85049/11-138W	MS3437B-138A	0.500	0.350	.750-20UNEF
MS3406DJ 13 E- XX	AS85049/11-13W	MS3437B-13A	0.437	0.250	.750-20UNEF
MS3406DJ 14 A- XX	AS85049/11-116W	MS3437B-116A	0.437	0.250	.875-20UNEF
MS3406DJ 14 B- XX	AS85049/11-19W	MS3437B-19A	0.750	0.500	.875-20UNEF
MS3406DJ 14 D- XX	AS85049/11-17W	MS3437B-17A	0.575	0.350	.875-20UNEF
MS3406DJ 14 E- XX	AS85049/11-150W	MS3437B-150A	0.312	0.125	.875-20UNEF
MS3406DJ 15 A- XX	AS85049/11-116W	MS3437B-116A	0.437	0.250	.875-20UNEF
MS3406DJ 15 B- XX	AS85049/11-19W	MS3437B-19A	0.750	0.500	.875-20UNEF
MS3406DJ 15 D- XX	AS85049/11-17W	MS3437B-17A	0.575	0.350	.875-20UNEF
MS3406DJ 15 E- XX	AS85049/11-150W	MS3437B-150A	0.312	0.125	.875-20UNEF
MS3406DJ 16 A- XX	AS85049/11-21W	MS3437B-21A	0.700	0.500	1.000-20UNEF
MS3406DJ 16 B- XX	AS85049/11-23W	MS3437B-23A	0.937	0.625	1.000-20UNEF
MS3406DJ 16 D- XX	AS85049/11-112W	MS3437B-112A	0.437	0.250	1.000-20UNEF
MS3406DJ 16 E- XX	AS85049/11-118W	MS3437B-118A	0.625	0.350	1.000-20UNEF

TOLERANCE
 XX ± .010
 .XXX ± .005
 ANGLES ± 1°

TITLE
 CONNECTOR, ELECTRICAL, PLUG,
 W/STR BACKSHELL AND CLAMP
 CRIMP CONTACTS, MIL-DTL-5015 SERIES II

SHEET
 1 OF 3

DWG. NO.
 AS34061DJ

REV
 -

<http://www.corsairelectricalconnectors.com> (949) 833-0273

AS34061DJ

MIL-DTL-5015 SERIES II



Assembly P/N	Backshell P/N	Superseding Assembly N°	'A' Cable Entry		'B' Thread Class 2
			Max	Min	
MS3406DJ 17 A- XX	AS85049/11-21W	MS3437B-21A	0.700	0.500	1.000-20UNEF
MS3406DJ 17 B- XX	AS85049/11-23W	MS3437B-23A	0.937	0.625	1.000-20UNEF
MS3406DJ 17 D- XX	AS85049/11-112W	MS3437B-112A	0.437	0.250	1.000-20UNEF
MS3406DJ 17 E- XX	AS85049/11-118W	MS3437B-118A	0.625	0.350	1.000-20UNEF
MS3406DJ 18 A- XX	AS85049/11-25W	MS3437B-25A	0.625	0.350	1.125-18UNEF
MS3406DJ 18 B- XX	AS85049/11-27W	MS3437B-27A	0.750	0.500	1.125-18UNEF
MS3406DJ 18 E- XX	AS85049/11-120W	MS3437B-120A	0.312	0.125	1.125-18UNEF
MS3406DJ 18 F- XX	AS85049/11-122W	MS3437B-122A	0.437	0.250	1.125-18UNEF
MS3406DJ 12 A- XX	AS85049/11-31W	MS3437B-31A	0.625	0.350	1.250-18UNEF
MS3406DJ 20 B- XX	AS85049/11-33W	MS3437B-33A	0.750	0.500	1.250-18UNEF
MS3406DJ 20 E- XX	AS85049/11-37W	MS3437B-37A	1.250	0.875	1.250-18UNEF
MS3406DJ 20 F- XX	AS85049/11-124W	MS3437B-124A	0.437	0.250	1.250-18UNEF
MS3406DJ 22 A- XX	AS85049/11-140W	MS3437B-140A	0.904	0.625	1.250-18UNEF
MS3406DJ 22 B- XX	AS85049/11-39W	MS3437B-39A	0.625	0.350	1.375-18UNEF
MS3406DJ 22 D- XX	AS85049/11-41W	MS3437B-41A	0.750	0.500	1.375-18UNEF
MS3406DJ 22 A- XX	AS85049/11-43W	MS3437B-43A	0.937	0.625	1.375-18UNEF
MS3406DJ 22 E- XX	AS85049/11-45W	MS3437B-45A	1.250	0.875	1.375-18UNEF
MS3406DJ 22 F- XX	AS85049/11-125W	MS3437B-125A	0.312	0.125	1.375-18UNEF
MS3406DJ 22 G- XX	AS85049/11-128W	MS3437B-128A	0.437	0.250	1.375-18UNEF
MS3406DJ 22 H- XX	AS85049/11-142W	MS3437B-142A	1.029	0.875	1.375-18UNEF
MS3406DJ 24 A- XX	AS85049/11-47W	MS3437B-47A	0.750	0.500	1.500-18UNEF
MS3406DJ 24 B- XX	AS85049/11-49W	MS3437B-49A	0.812	0.625	1.500-18UNEF
MS3406DJ 24 D- XX	AS85049/11-51W	MS3437B-51A	0.937	0.625	1.500-18UNEF
MS3406DJ 24 E- XX	AS85049/11-53W	MS3437B-53A	1.250	0.875	1.500-18UNEF
MS3406DJ 24 F- XX	AS85049/11-130W	MS3437B-130A	0.625	0.350	1.500-18UNEF
MS3406DJ 24 G- XX	AS85049/11-144W	MS3437B-144A	1.144	0.875	1.500-18UNEF
MS3406DJ 28 A- XX	AS85049/11-55W	MS3437B-55A	0.750	0.500	1.750-18UNS
MS3406DJ 28 B- XX	AS85049/11-57W	MS3437B-57A	0.937	0.625	1.750-18UNS
MS3406DJ 28 D- XX	AS85049/11-59W	MS3437B-59A	1.250	0.875	1.750-18UNS
MS3406DJ 28 E- XX	AS85049/11-61W	MS3437B-61A	1.375	1.000	1.750-18UNS
MS3406DJ 32 A- XX	AS85049/11-63W	MS3437B-63A	0.937	0.625	2.00-18UNS
MS3406DJ 32 B- XX	AS85049/11-65W	MS3437B-65A	1.250	0.875	2.00-18UNS
MS3406DJ 32 D- XX	AS85049/11-67W	MS3437B-67A	1.375	1.000	2.00-18UNS
MS3406DJ 32 E- XX	AS85049/11-69W	MS3437B-69A	1.625	1.250	2.00-18UNS

TOLERANCE
XX ± .010
.XXX ± .005
ANGLES ± 1°

TITLE
CONNECTOR, ELECTRICAL, PLUG.
W/STR BACKSHELL AND CLAMP
CRIMP CONTACTS, MIL-DTL-5015 SERIES II

SHEET
2 OF 3

DWG. NO.
AS34061DJ

REV
-

<http://www.corsairelectricalconnectors.com> (949) 833-0273

AS34061DJ

MIL-DTL-5015 SERIES II



Assembly P/N	Backshell P/N	Superseding Assembly N°	'A' Cable Entry		'B' Thread Class 2
			Max	Min	
MS3406DJ 32 A- XX	AS85049/11-63W	MS3437B-63A	0.937	0.625	2.00-18UNS
MS3406DJ 32 B- XX	AS85049/11-65W	MS3437B-65A	1.250	0.875	2.00-18UNS
MS3406DJ 32 D- XX	AS85049/11-67W	MS3437B-67A	1.375	1.000	2.00-18UNS
MS3406DJ 32 E- XX	AS85049/11-69W	MS3437B-69A	1.625	1.250	2.00-18UNS
MS3406DJ 36 A- XX	AS85049/11-71W	MS3437B-71A	1.250	0.875	2.250-16UN
MS3406DJ 36 B- XX	AS85049/11-73W	MS3437B-73A	1.375	1.000	2.250-16UN
MS3406DJ 36 D- XX	AS85049/11-75W	MS3437B-75A	1.625	1.250	2.250-16UN
MS3406DJ 36 E- XX	AS85049/11-146W	MS3437B-146A	1.840	1.437	2.250-16UN
MS3406DJ 36 G- XX	AS85049/11-132W	MS3437B-132A	0.750	0.500	2.250-16UN
MS3406DJ 36 F- XX	AS85049/11-148W	MS3437B-148A	0.937	0.625	2.250-16UN
MS3406DJ 40 A- XX	AS85049/11-79W	MS3437B-79A	1.250	0.875	2.500-16UN
MS3406DJ 40 B- XX	AS85049/11-81W	MS3437B-81A	1.375	1.000	2.500-16UN
MS3406DJ 40 D- XX	AS85049/11-83W	MS3437B-83A	1.625	1.250	2.500-16UN
MS3406DJ 40 E- XX	AS85049/11-85W	MS3437B-85A	1.840	1.437	2.500-16UN
MS3406DJ 40 F- XX	AS85049/11-134W	MS3437B-134A	0.750	0.500	2.500-16UN
MS3406DJ 44 A- XX	AS85049/11-87W	MS3437B-87A	1.250	0.875	2.750-16UN
MS3406DJ 44 B- XX	AS85049/11-89W	MS3437B-89A	1.375	1.000	2.750-16UN
MS3406DJ 44 D- XX	AS85049/11-91W	MS3437B-91A	1.625	1.250	2.750-16UN
MS3406DJ 44 E- XX	AS85049/11-93W	MS3437B-93A	1.840	1.437	2.750-16UN
MS3406DJ 44 F- XX	AS85049/11-154W	MS3437B-154A	0.937	0.625	2.750-16UN

TOLERANCE
XX ± .010
.XXX ± .005
ANGLES ± 1°

TITLE
CONNECTOR, ELECTRICAL, PLUG.
W/STR BACKSHELL AND CLAMP
CRIMP CONTACTS, MIL-DTL-5015 SERIES II

SHEET
3 OF 3

DWG. NO.
AS34061DJ

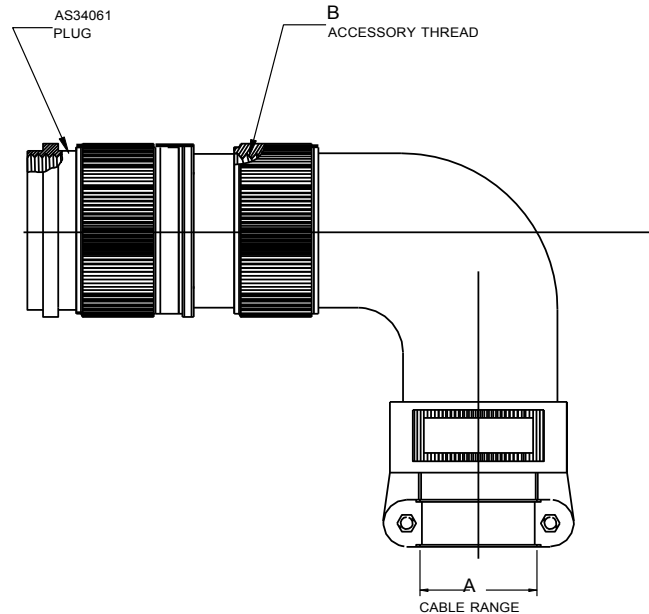
REV

-

<http://www.corsairelectricalconnectors.com> (949) 833-0273

AS34081DJ

MIL-DTL-5015 SERIES II



Assembly No.	Backshell AsseASbly No.	Superseding Assembly N°	A Cable Entry		B Thread Class 2B
			MAX	MIN	
MS3408DJ 10 A- XX	AS85049/9- 04W	MS3188B-04A	0.312	0.125	.625-24UNEF
MS3408DJ 10 B- XX	AS85049/9- 49W	MS3188B-49A	0.437	0.250	.625-24UNEF
MS3408DJ 10 D- XX	AS85049/9- 05W	MS3188B-05A	0.375	0.250	.625-24UNEF
MS3408DJ 11 A- XX	AS85049/9- 04W	MS3188B-04A	0.312	0.125	.625-24UNEF
MS3408DJ 11 B- XX	AS85049/9- 49W	MS3188B-49A	0.437	0.250	.625-24UNEF
MS3408DJ 11 D- XX	AS85049/9- 05W	MS3188B-05A	0.375	0.250	.625-24UNEF
MS3408DJ 12 A- XX	AS85049/9- 06W	MS3188B-06A	0.312	0.125	.750-20UNEF
MS3408DJ 12 B- XX	AS85049/9- 71W	MS3188B-71A	0.625	0.350	.750-20UNEF
MS3408DJ 12 D- XX	AS85049/9- 08W	MS3188B-08A	0.500	0.350	.750-20UNEF
MS3408DJ 12 E- XX	AS85049/9- 07W	MS3188B-07A	0.437	0.250	.750-20UNEF
MS3408DJ 13 A- XX	AS85049/9- 06W	MS3188B-06A	0.312	0.125	.750-20UNEF
MS3408DJ 13 B- XX	AS85049/9- 71W	MS3188B-71A	0.625	0.350	.750-20UNEF
MS3408DJ 13 D- XX	AS85049/9- 08W	MS3188B-08A	0.500	0.350	.750-20UNEF
MS3408DJ 13 E- XX	AS85049/9- 07W	MS3188B-07A	0.437	0.250	.750-20UNEF
MS3408DJ 14 A- XX	AS85049/9- 09W	MS3188B-09A	0.437	0.250	.875-20UNEF
MS3408DJ 14 B- XX	AS85049/9- 50W	MS3188B-50A	0.750	0.500	.875-20UNEF
MS3408DJ 14 D- XX	AS85049/9- 10W	MS3188B-10A	0.575	0.350	.875-20UNEF
MS3408DJ 14 E- XX	AS85049/9- 74W	MS3188B-74A	0.312	0.125	.875-20UNEF
MS3408DJ 15 A- XX	AS85049/9- 09W	MS3188B-09A	0.437	0.250	.875-20UNEF
MS3408DJ 15 B- XX	AS85049/9- 50W	MS3188B-50A	0.750	0.500	.875-20UNEF
MS3408DJ 15 D- XX	AS85049/9- 10W	MS3188B-10A	0.575	0.350	.875-20UNEF
MS3408DJ 15 E- XX	AS85049/9- 74W	MS3188B-74A	0.312	0.125	.875-20UNEF

TOLERANCE
 XX ± .010
 .XXX ± .005
 ANGLES ± 1°

TITLE
 CONNECTOR, ELECTRICAL, PLUG.
 W/90 DEG BACKSHELL AND CLAMP
 CRIMP CONTACTS, MIL-DTL-5015 SERIES II

SHEET
 1 OF 3

DWG. NO.
 AS34081DJ

REV
 -

<http://www.corsairelectricalconnectors.com> (949) 833-0273

AS34081DJ

MIL-DTL-5015 SERIES II



Assembly No.	Backshell AsseASbly No.	Superseding Assembly N°	A Cable Entry		B Thread Class 2B
			MAX	MIN	
MS3408DJ 16 A- XX	AS85049/9- 12W	MS3188B-12A	0.700	0.500	1.000-20UNEF
MS3408DJ 16 B- XX	AS85049/9- 51W	MS3188B-51A	0.937	0.625	1.000-20UNEF
MS3408DJ 16 D- XX	AS85049/9- 11W	MS3188B-11A	0.437	0.250	1.000-20UNEF
MS3408DJ 16 E- XX	AS85049/9- 40W	MS3188B-40A	0.625	0.350	1.000-20UNEF
MS3408DJ 17 A- XX	AS85049/9- 12W	MS3188B-12A	0.700	0.500	1.000-20UNEF
MS3408DJ 17 B- XX	AS85049/9- 51W	MS3188B-51A	0.937	0.625	1.000-20UNEF
MS3408DJ 17 D- XX	AS85049/9- 11W	MS3188B-11A	0.437	0.250	1.000-20UNEF
MS3408DJ 17 E- XX	AS85049/9- 40W	MS3188B-40A	0.625	0.350	1.000-20UNEF
MS3408DJ 18 A- XX	AS85049/9- 13W	MS3188B-13A	0.625	0.350	1.125-18UNEF
MS3408DJ 18 B- XX	AS85049/9- 52W	MS3188B-52A	0.750	0.500	1.125-18UNEF
MS3408DJ 18 E- XX	AS85049/9- 41W	MS3188B-41A	0.312	0.125	1.125-18UNEF
MS3408DJ 18 F- XX	AS85049/9- 42W	MS3188B-42A	0.437	0.250	1.125-18UNEF
MS3408DJ 20 A- XX	AS85049/9- 15W	MS3188B-15A	0.625	0.350	1.125-18UNEF
MS3408DJ 20 B- XX	AS85049/9- 54W	MS3188B-54A	0.750	0.500	1.125-18UNEF
MS3408DJ 20 E- XX	AS85049/9- 55W	MS3188B-55A	1.250	0.875	1.125-18UNEF
MS3408DJ 20 F- XX	AS85049/9- 43W	MS3188B-43A	0.437	0.250	1.125-18UNEF
MS3408DJ 20 G- XX	AS85049/9- 16W	MS3188B-16A	0.904	0.625	1.125-18UNEF
MS3408DJ 22 A- XX	AS85049/9- 56W	MS3188B-56A	0.625	0.350	1.375-18UNEF
MS3408DJ 22 B- XX	AS85049/9- 17W	MS3188B-17A	0.750	0.500	1.375-18UNEF
MS3408DJ 22 D- XX	AS85049/9- 57W	MS3188B-57A	0.937	0.625	1.375-18UNEF
MS3408DJ 22 E- XX	AS85049/9- 58W	MS3188B-58A	1.250	0.875	1.375-18UNEF
MS3408DJ 22 F- XX	AS85049/9- 44W	MS3188B-44A	0.312	0.125	1.375-18UNEF
MS3408DJ 22 G- XX	AS85049/9- 45W	MS3188B-45A	0.437	0.250	1.375-18UNEF
MS3408DJ 22 H- XX	AS85049/9- 18W	MS3188B-18A	1.029	0.875	1.375-18UNEF
MS3408DJ 24 A- XX	AS85049/9- 19W	MS3188B-19A	0.750	0.500	1.500-18UNEF
MS3408DJ 24 D- XX	AS85049/9- 59W	MS3188B-59A	0.937	0.625	1.500-18UNEF
MS3408DJ 24 E- XX	AS85049/9- 73W	MS3188B-73A	1.250	0.875	1.500-18UNEF
MS3408DJ 24 F- XX	AS85049/9- 46W	MS3188B-46A	0.625	0.350	1.500-18UNEF
MS3408DJ 24G- XX	AS85049/9- 20W	MS3188B-20A	1.144	0.875	1.500-18UNEF
MS3408DJ 28 A- XX	AS85049/9- 60W	MS3188B-60A	0.750	0.500	1.750-18UNS
MS3408DJ 28 B- XX	AS85049/9- 21W	MS3188B-21A	0.937	0.625	1.750-18UNS
MS3408DJ 28 D- XX	AS85049/9- 61W	MS3188B-61A	1.250	0.875	1.750-18UNS
MS3408DJ 28 E- XX	AS85049/9- 22W	MS3188B-22A	1.375	1.000	1.750-18UNS
MS3408DJ 32 A- XX	AS85049/9- 23W	MS3188B-23A	0.937	0.625	2.000-18UNS
MS3408DJ 32 B- XX	AS85049/9- 24W	MS3188B-24A	1.125	0.875	2.000-18UNS
MS3408DJ 32 D- XX	AS85049/9- 62W	MS3188B-62A	1.375	1.000	2.000-18UNS
MS3408DJ 32 E- XX	AS85049/9- 25W	MS3188B-25A	1.625	1.250	2.000-18UNS

TOLERANCE
XX ± .010
.XXX ± .005
ANGLES ± 1°

TITLE
CONNECTOR, ELECTRICAL, PLUG.
W/90 DEG BACKSHELL AND CLAMP
CRIMP CONTACTS, MIL-DTL-5015 SERIES II

SHEET
2 OF 3

DWG. NO.
AS34081DJ

REV
-

<http://www.corsairelectricalconnectors.com> (949) 833-0273

AS34081DJ

MIL-DTL-5015 SERIES II



Assembly No.	Backshell AsseASbly No.	Superseding Assembly N°	A Cable Entry		B Thread Class 2B
			MAX	MIN	
MS3408DJ 36 A- XX	AS85049/9- 63W	MS3188B-63A	1.125	0.875	2.250-16UN
MS3408DJ 36 B- XX	AS85049/9- 27W	MS3188B-27A	1.375	1.000	2.250-16UN
MS3408DJ 36 D- XX	AS85049/9- 64W	MS3188B-64A	1.625	1.250	2.250-16UN
MS3408DJ 36 E- XX	AS85049/9- 28W	MS3188B-28A	1.840	1.437	2.250-16UN
MS3408DJ 36 F- XX	AS85049/9- 47W	MS3188B-47A	0.750	0.500	2.250-16UN
MS3408DJ 36 G- XX	AS85049/9- 26W	MS3188B-26A	0.937	0.625	2.250-16UN
MS3408DJ 40 A- XX	AS85049/9- 65W	MS3188B-65A	1.250	0.875	2.250-16UN
MS3408DJ 40 B- XX	AS85049/9- 30W	MS3188B-30A	1.375	1.000	2.250-16UN
MS3408DJ 40 D- XX	AS85049/9- 66W	MS3188B-66A	1.625	1.250	2.250-16UN
MS3408DJ 40 E- XX	AS85049/9- 31W	MS3188B-31A	1.840	1.437	2.250-16UN
MS3408DJ 40 F- XX	AS85049/9- 48W	MS3188B-48A	0.750	0.500	2.250-16UN
MS3408DJ 44 A- XX	AS85049/9- 67W	MS3188B-67A	1.250	0.875	2.750-16UN
MS3408DJ 44 B- XX	AS85049/9- 33W	MS3188B-33A	1.375	1.000	2.750-16UN
MS3408DJ 44 D- XX	AS85049/9- 68W	MS3188B-68A	1.625	1.250	2.750-16UN
MS3408DJ 44 E- XX	AS85049/9- 34W	MS3188B-34A	1.840	1.437	2.750-16UN
MS3408DJ 44 F- XX	AS85049/9- 32W	MS3188B-32A	0.937	0.625	2.750-16UN

TOLERANCE
XX ± .010
.XXX ± .005
ANGLES ± 1°

TITLE
CONNECTOR, ELECTRICAL, PLUG.
W/90 DEG BACKSHELL AND CLAMP
CRIMP CONTACTS, MIL-DTL-5015 SERIES II

SHEET
3 OF 3

DWG. NO.
AS34081DJ

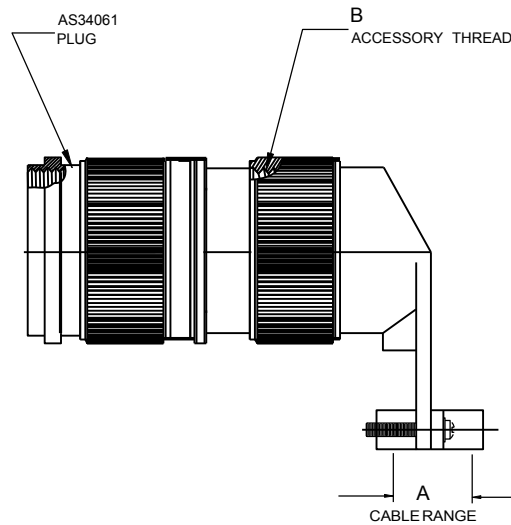
REV

-

<http://www.corsairelectricalconnectors.com> (949) 833-0273

AS34081D

MIL-DTL-5015 SERIES II



Assembly No.	Backshell Assembly No.	Superseding Assembly N ^o	A Cable Entry		B Thread Class 2B
			MAX	MIN	
MS3408D 10S - XX	AS85049/51- 110 X	MS3418-10 X	0.286	0.187	.625-24UNEF
MS3408D 10SL - XX	AS85049/51- 110 X	MS3418-10 X	0.286	0.187	.625-24UNEF
MS3408D 12S - XX	AS85049/51- 112 X	MS3418-12 X	0.416	0.291	.750-20UNEF
MS3408D 12 - XX	AS85049/51- 112 X	MS3418-12 X	0.416	0.291	.750-20UNEF
MS3408D 14S - XX	AS85049/51- 114 X	MS3418-14 X	0.476	0.351	.875-20UNEF
MS3408D 14 - XX	AS85049/51- 114 X	MS3418-14 X	0.476	0.351	.875-20UNEF
MS3408D 16S - XX	AS85049/51- 116 X	MS3418-16 X	0.626	0.501	1.000-20UNEF
MS3408D 16 - XX	AS85049/51- 116 X	MS3418-16 X	0.626	0.501	1.000-20UNEF
MS3408D 18 - XX	AS85049/51- 118 X	MS3418-18 X	0.706	0.518	1.125-18UNEF
MS3408D 20 - XX	AS85049/51- 120 X	MS3418-20 X	0.831	0.581	1.125-18UNEF
MS3408D 22 - XX	AS85049/51- 122 X	MS3418-22 X	0.956	0.644	1.375-18UNEF
MS3408D 24 - XX	AS85049/51- 124 X	MS3418-24 X	1.081	0.706	1.500-18UNEF
MS3408D 28 - XX	AS85049/51- 128 X	MS3418-28 X	1.187	0.750	1.750-18UNS
MS3408D 32 - XX	AS85049/51- 132 X	MS3418-32 X	1.250	0.875	2.000-18UNS
MS3408D 36 - XX	AS85049/51- 136 X	MS3418-36 X	1.375	0.938	2.250-16UN
MS3408D 40 - XX	AS85049/51- 140 X	MS3418-40 X	1.500	0.938	2.250-16UN
MS3408D 44 - XX	AS85049/51- 144 X	MS3418-48 X	1.750	1.188	2.750-16UN

TOLERANCE
 XX ± .010
 .XXX ± .005
 ANGLES ± 1°

TITLE
 CONNECTOR, ELECTRICAL, PLUG.
 W/90 DEG BACKSHELL CLAMP
 CRIMP CONTACTS, MIL-DTL-5015 SERIES II

SHEET
 1 OF 1

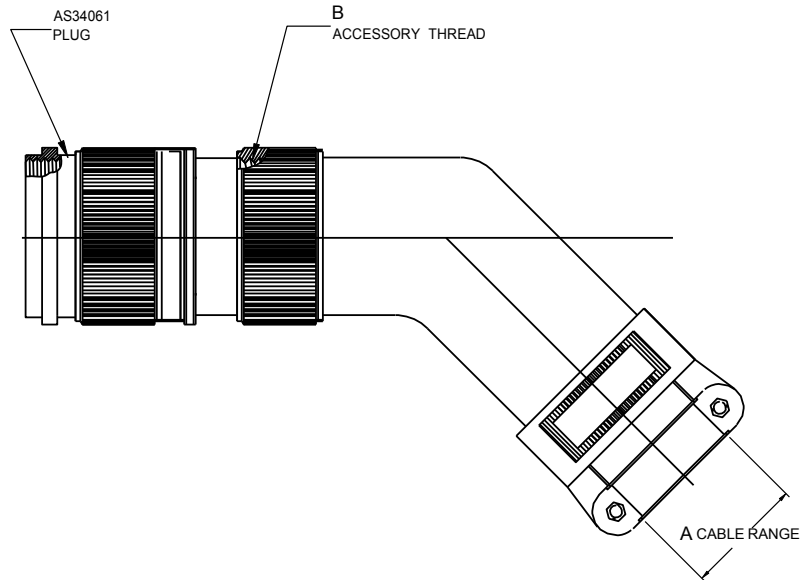
DWG. NO.
 AS34081D

REV
 -

<http://www.corsairelectricalconnectors.com> (949) 833-0273

AS34091DJ

MIL-DTL-5015 SERIES II



Assembly No.	Backshell Assembly No.	Superseding Assembly N ^o	A Cable Entry		B Thread Class 2B
			MAX	MIN	
MS3409DJ 10 A- XX	AS85049/7- 04W	MS3189B-04A	0.312	0.125	.625-24UNEF
MS3409DJ 10 B- XX	AS85049/7- 49W	MS3189B-49A	0.437	0.250	.625-24UNEF
MS3409DJ 10 D- XX	AS85049/7- 05W	MS3189B-05A	0.375	0.250	.625-24UNEF
MS3409DJ 11 A- XX	AS85049/7- 04W	MS3189B-04A	0.312	0.125	.625-24UNEF
MS3409DJ 11 B- XX	AS85049/7- 49W	MS3189B-49A	0.437	0.250	.625-24UNEF
MS3409DJ 11 D- XX	AS85049/7- 05W	MS3189B-05A	0.375	0.250	.625-24UNEF
MS3409DJ 12 A- XX	AS85049/7- 06W	MS3189B-06A	0.312	0.125	.750-20UNEF
MS3409DJ 12 B- XX	AS85049/7- 71W	MS3189B-71A	0.625	0.350	.750-20UNEF
MS3409DJ 12 D- XX	AS85049/7- 08W	MS3189B-08A	0.500	0.350	.750-20UNEF
MS3409DJ 12 E- XX	AS85049/7- 07W	MS3189B-07A	0.437	0.250	.750-20UNEF
MS3409DJ 13 A- XX	AS85049/7- 06W	MS3189B-06A	0.312	0.125	.750-20UNEF
MS3409DJ 13 B- XX	AS85049/7- 71W	MS3189B-71A	0.625	0.350	.750-20UNEF
MS3409DJ 13 D- XX	AS85049/7- 08W	MS3189B-08A	0.500	0.350	.750-20UNEF
MS3409DJ 13 E- XX	AS85049/7- 07W	MS3189B-07A	0.437	0.250	.750-20UNEF
MS3409DJ 14 A- XX	AS85049/7- 09W	MS3189B-09A	0.437	0.250	.875-20UNEF
MS3409DJ 14 B- XX	AS85049/7- 50W	MS3189B-50A	0.750	0.500	.875-20UNEF
MS3409DJ 14 D- XX	AS85049/7- 10W	MS3189B-10A	0.575	0.350	.875-20UNEF
MS3409DJ 14 E- XX	AS85049/7- 74W	MS3189B-74A	0.312	0.125	.875-20UNEF
MS3409DJ 15 A- XX	AS85049/7- 09W	MS3189B-09A	0.437	0.250	.875-20UNEF
MS3409DJ 15 B- XX	AS85049/7- 50W	MS3189B-50A	0.750	0.500	.875-20UNEF
MS3409DJ 15 D- XX	AS85049/7- 10W	MS3189B-10A	0.575	0.350	.875-20UNEF
MS3409DJ 15 E- XX	AS85049/7- 74W	MS3189B-74A	0.312	0.125	.875-20UNEF

TOLERANCE
XX ± .010
.XXX ± .005
ANGLES ± 1°

TITLE
CONNECTOR, ELECTRICAL, PLUG.
W/45 DEG BACKSHELL AND CLAMP
CRIMP CONTACTS, MIL-DTL-5015 SERIES II

SHEET
1 OF 3

DWG. NO.
AS34091DJ

REV
-

<http://www.corsairelectricalconnectors.com> (949) 833-0273

AS34091DJ

MIL-DTL-5015 SERIES II



Assembly No.	Backshell Assembly No.	Superseding Assembly N°	A Cable Entry		B Thread Class 2B
			MAX	MIN	
MS3409DJ 16 A- XX	AS85049/7- 12W	MS3189B-12A	0.700	0.500	1.000-20UNEF
MS3409DJ 16 B- XX	AS85049/7- 51W	MS3189B-51A	0.937	0.625	1.000-20UNEF
MS3409DJ 16 D- XX	AS85049/7- 11W	MS3189B-11A	0.437	0.250	1.000-20UNEF
MS3409DJ 16 E- XX	AS85049/7- 40W	MS3189B-40A	0.625	0.350	1.000-20UNEF
MS3409DJ 17 A- XX	AS85049/7- 12W	MS3189B-12A	0.700	0.500	1.000-20UNEF
MS3409DJ 17 B- XX	AS85049/7- 51W	MS3189B-51A	0.937	0.625	1.000-20UNEF
MS3409DJ 17 D- XX	AS85049/7- 11W	MS3189B-11A	0.437	0.250	1.000-20UNEF
MS3409DJ 17 E- XX	AS85049/7- 40W	MS3189B-40A	0.625	0.350	1.000-20UNEF
MS3409DJ 18 A- XX	AS85049/7- 13W	MS3189B-13A	0.625	0.350	1.125-18UNEF
MS3409DJ 18 B- XX	AS85049/7- 52W	MS3189B-52A	0.750	0.500	1.125-18UNEF
MS3409DJ 18 E- XX	AS85049/7- 41W	MS3189B-41A	0.312	0.125	1.125-18UNEF
MS3409DJ 18 F- XX	AS85049/7- 42W	MS3189B-42A	0.437	0.250	1.125-18UNEF
MS3409DJ 20 A- XX	AS85049/7- 15W	MS3189B-15A	0.625	0.350	1.125-18UNEF
MS3409DJ 20 B- XX	AS85049/7- 54W	MS3189B-54A	0.750	0.500	1.125-18UNEF
MS3409DJ 20 E- XX	AS85049/7- 55W	MS3189B-55A	1.250	0.875	1.125-18UNEF
MS3409DJ 20 F- XX	AS85049/7- 43W	MS3189B-43A	0.437	0.250	1.125-18UNEF
MS3409DJ 20 G- XX	AS85049/7- 16W	MS3189B-16A	0.904	0.625	1.125-18UNEF
MS3409DJ 22 A- XX	AS85049/7- 56W	MS3189B-56A	0.625	0.350	1.375-18UNEF
MS3409DJ 22 B- XX	AS85049/7- 17W	MS3189B-17A	0.750	0.500	1.375-18UNEF
MS3409DJ 22 D- XX	AS85049/7- 57W	MS3189B-57A	0.937	0.625	1.375-18UNEF
MS3409DJ 22 E- XX	AS85049/7- 58W	MS3189B-58A	1.250	0.875	1.375-18UNEF
MS3409DJ 22 F- XX	AS85049/7- 44W	MS3189B-44A	0.312	0.125	1.375-18UNEF
MS3409DJ 22 G- XX	AS85049/7- 45W	MS3189B-45A	0.437	0.250	1.375-18UNEF
MS3409DJ 22 H- XX	AS85049/7- 18W	MS3189B-18A	1.029	0.875	1.375-18UNEF
MS3409DJ 24 A- XX	AS85049/7- 19W	MS3189B-19A	0.750	0.500	1.500-18UNEF
MS3409DJ 24 D- XX	AS85049/7- 59W	MS3189B-59A	0.937	0.625	1.500-18UNEF
MS3409DJ 24 E- XX	AS85049/7- 73W	MS3189B-73A	1.250	0.875	1.500-18UNEF
MS3409DJ 24 F- XX	AS85049/7- 46W	MS3189B-46A	0.625	0.350	1.500-18UNEF
MS3409DJ 24G- XX	AS85049/7- 20W	MS3189B-20A	1.144	0.875	1.500-18UNEF
MS3409DJ 28 A- XX	AS85049/7- 60W	MS3189B-60A	0.750	0.500	1.750-18UNS
MS3409DJ 28 B- XX	AS85049/7- 21W	MS3189B-21A	0.937	0.625	1.750-18UNS
MS3409DJ 28 D- XX	AS85049/7- 61W	MS3189B-61A	1.250	0.875	1.750-18UNS
MS3409DJ 28 E- XX	AS85049/7- 22W	MS3189B-22A	1.375	1.000	1.750-18UNS
MS3409DJ 32 A- XX	AS85049/7- 23W	MS3189B-23A	0.937	0.625	2.000-18UNS
MS3409DJ 32 B- XX	AS85049/7- 24W	MS3189B-24A	1.125	0.875	2.000-18UNS
MS3409DJ 32 D- XX	AS85049/7- 62W	MS3189B-62A	1.375	1.000	2.000-18UNS
MS3409DJ 32 E- XX	AS85049/7- 25W	MS3189B-25A	1.625	1.250	2.000-18UNS

TOLERANCE
XX ± .010
.XXX ± .005
ANGLES ± 1°

TITLE
CONNECTOR, ELECTRICAL, PLUG.
W/45 DEG BACKSHELL AND CLAMP
CRIMP CONTACTS, MIL-DTL-5015 SERIES II

SHEET
2 OF 3

DWG. NO.
AS34091DJ

REV
-

<http://www.corsairelectricalconnectors.com> (949) 833-0273

AS34091DJ

MIL-DTL-5015 SERIES II



Assembly No.	Backshell Assembly No.	Superseding Assembly N°	A Cable Entry		B Thread Class 2B
			MAX	MIN	
MS3409DJ 32 A- XX	AS85049/7- 23W	MS3189B-23A	0.937	0.625	2.000-18UNS
MS3409DJ 32 B- XX	AS85049/7- 24W	MS3189B-24A	1.125	0.875	2.000-18UNS
MS3409DJ 32 D- XX	AS85049/7- 62W	MS3189B-62A	1.375	1.000	2.000-18UNS
MS3409DJ 32 E- XX	AS85049/7- 25W	MS3189B-25A	1.625	1.250	2.000-18UNS
MS3409DJ 36 A- XX	AS85049/7- 63W	MS3189B-63A	1.125	0.875	2.250-16UN
MS3409DJ 36 B- XX	AS85049/7- 27W	MS3189B-27A	1.375	1.000	2.250-16UN
MS3409DJ 36 D- XX	AS85049/7- 64W	MS3189B-64A	1.625	1.250	2.250-16UN
MS3409DJ 36 E- XX	AS85049/7- 28W	MS3189B-28A	1.840	1.437	2.250-16UN
MS3409DJ 36 F- XX	AS85049/7- 47W	MS3189B-47A	0.750	0.500	2.250-16UN
MS3409DJ 36 G- XX	AS85049/7- 26W	MS3189B-26A	0.937	0.625	2.250-16UN
MS3409DJ 40 A- XX	AS85049/7- 65W	MS3189B-65A	1.250	0.875	2.250-16UN
MS3409DJ 40 B- XX	AS85049/7- 30W	MS3189B-30A	1.375	1.000	2.250-16UN
MS3409DJ 40 D- XX	AS85049/7- 66W	MS3189B-66A	1.625	1.250	2.250-16UN
MS3409DJ 40 E- XX	AS85049/7- 31W	MS3189B-31A	1.840	1.437	2.250-16UN
MS3409DJ 40 F- XX	AS85049/7- 48W	MS3189B-48A	0.750	0.500	2.250-16UN
MS3409DJ 44 A- XX	AS85049/7- 67W	MS3189B-67A	1.250	0.875	2.750-16UN
MS3409DJ 44 B- XX	AS85049/7- 33W	MS3189B-33A	1.375	1.000	2.750-16UN
MS3409DJ 44 D- XX	AS85049/7- 68W	MS3189B-68A	1.625	1.250	2.750-16UN
MS3409DJ 44 E- XX	AS85049/7- 34W	MS3189B-34A	1.840	1.437	2.750-16UN
MS3409DJ 44 F- XX	AS85049/7- 32W	MS3189B-32A	0.937	0.625	2.750-16UN

TOLERANCE
 XX ± .010
 .XXX ± .005
 ANGLES ± 1°

TITLE
 CONNECTOR, ELECTRICAL, PLUG.
 W/45 DEG BACKSHELL AND CLAMP
 CRIMP CONTACTS, MIL-DTL-5015 SERIES II

SHEET
 3 OF 3

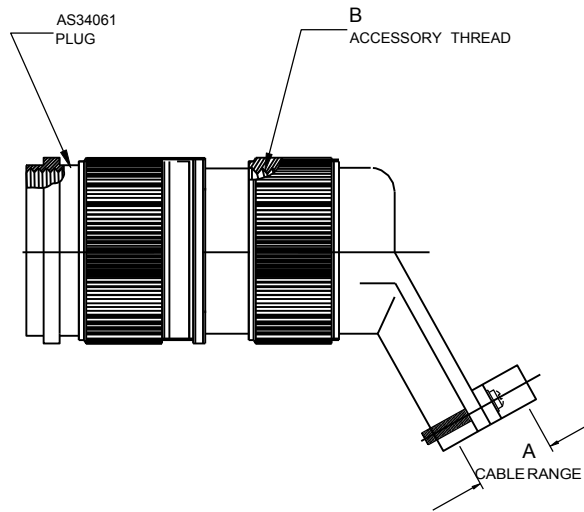
DWG. NO.
 AS34091DJ

REV
 -

<http://www.corsairelectricalconnectors.com> (949) 833-0273

AS34091D

MIL-DTL-5015 SERIES II



Assembly No.	Backshell Assembly No.	Superseding Assembly N°	A		B Thread Class 2B
			Cable Entry MAX	MIN	
MS3409D 10S - XX	AS85049/43- 110 X	MS3415-10 X	0.286	0.187	.625-24UNEF
MS3409D 10SL - XX	AS85049/43- 110 X	MS3415-10 X	0.286	0.187	.625-24UNEF
MS3409D 12S - XX	AS85049/43- 112 X	MS3415-12 X	0.416	0.291	.750-20UNEF
MS3409D 12 - XX	AS85049/43- 112 X	MS3415-12 X	0.416	0.291	.750-20UNEF
MS3409D 14S - XX	AS85049/43- 114 X	MS3415-14 X	0.476	0.351	.875-20UNEF
MS3409D 14 - XX	AS85049/43- 114 X	MS3415-14 X	0.476	0.351	.875-20UNEF
MS3409D 16S - XX	AS85049/43- 116 X	MS3415-16 X	0.626	0.501	1.000-20UNEF
MS3409D 16 - XX	AS85049/43- 116 X	MS3415-16 X	0.626	0.501	1.000-20UNEF
MS3409D 18 - XX	AS85049/43- 118 X	MS3415-18 X	0.706	0.518	1.125-18UNEF
MS3409D 20 - XX	AS85049/43- 120 X	MS3415-20 X	0.831	0.581	1.125-18UNEF
MS3409D 22 - XX	AS85049/43- 122 X	MS3415-22 X	0.956	0.644	1.375-18UNEF
MS3409D 24 - XX	AS85049/43- 124 X	MS3415-24 X	1.081	0.706	1.500-18UNEF
MS3409D 28 - XX	AS85049/43- 128 X	MS3415-28 X	1.187	0.750	1.750-18UNS
MS3409D 32 - XX	AS85049/43- 132 X	MS3415-32 X	1.250	0.875	2.000-18UNS
MS3409D 36 - XX	AS85049/43- 136 X	MS3415-36 X	1.375	0.938	2.250-16UN
MS3409D 40 - XX	AS85049/43- 140 X	MS3415-40 X	1.500	0.938	2.250-16UN

TOLERANCE
 XX ± .010
 .XXX ± .005
 ANGLES ± 1°

TITLE
 CONNECTOR, ELECTRICAL, PLUG.
 W/45 DEG BACKSHELL CLAMP
 CRIMP CONTACTS, MIL-DTL-5015 SERIES II

SHEET
 1 OF 1

DWG. NO.
 AS34091D

REV
 -

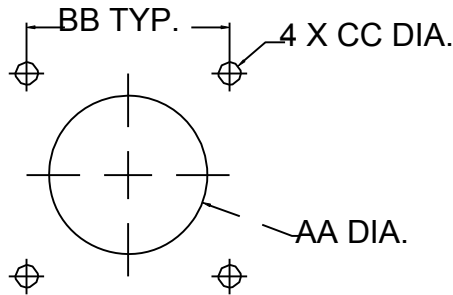
<http://www.corsairelectricalconnectors.com> (949) 833-0273

MIL-DTL-5015

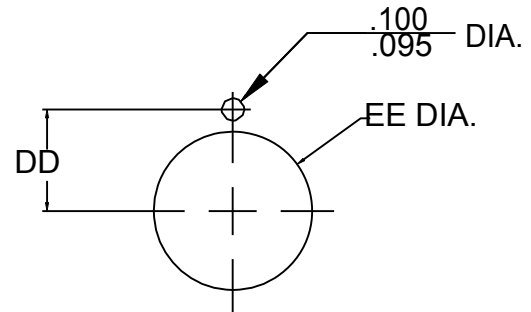
SERIES II



MS3400, MS3402, & MS3412



MS3404



SHELL SIZE	PANEL THICKNESS		MOUNTING DIMENSIONS					
	MS3404	MS3400 MS3402 MS3412 MAX.	AA DIA. ± 0.02	BB ± 0.005	CC DIA. .010 .005		DD ± 0.005	EE DIA. + 0.005 - .010
					CLASS D, DS, L, U, & W	CLASS KS, KT		
8S	.140/.090	0.187	0.529	0.594	0.120	0.150	0.323	0.515
10S	.140/.090	0.187	0.655	0.719	0.120	0.150	0.385	0.640
10SL	.140/.090	0.187	0.655	0.719	0.120	0.150	0.385	0.640
12S	.140/.090	0.187	0.780	0.812	0.120	0.150	0.448	0.765
12	.140/.091	0.125	0.780	0.812	0.120	0.150	0.448	0.765
14S	.140/.090	0.187	0.905	0.906	0.120	0.150	0.510	0.890
14	.140/.090	0.125	0.905	0.906	0.120	0.150	0.510	0.890
16S	.140/.090	0.187	1.030	0.969	0.120	0.150	0.573	1.015
16	.140/.090	0.125	1.030	0.969	0.120	0.150	0.573	1.015
18	.140/.090	0.125	1.155	1.062	0.120	0.177	0.635	1.140
20	.140/.090	0.125	1.280	1.156	0.120	0.177	0.698	1.265
22	.140/.090	0.125	1.405	1.250	0.120	0.177	0.760	1.390
24	.140/.090	0.187	1.530	1.375	0.147	0.177	0.823	1.515
28	.140/.090	0.187	1.780	1.562	0.147	0.177	0.948	1.765
32	.140/.090	0.250	2.030	1.750	0.173	0.209	1.073	2.015
36	.140/.110	0.250	2.280	1.938	0.173	0.209	1.198	2.265
40	.140/.110	0.250	2.530	2.188	0.173	0.209	1.323	2.515

TOLERANCE
XX ± .010
.XXX ± .005
ANGLES ± 1°

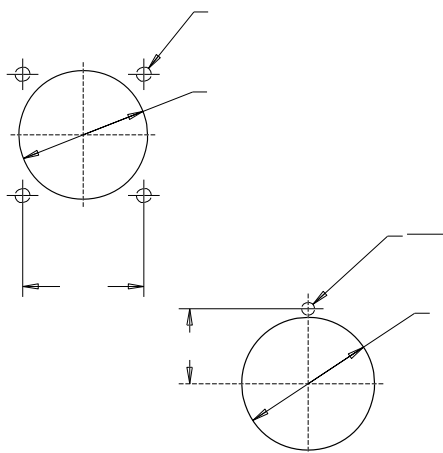
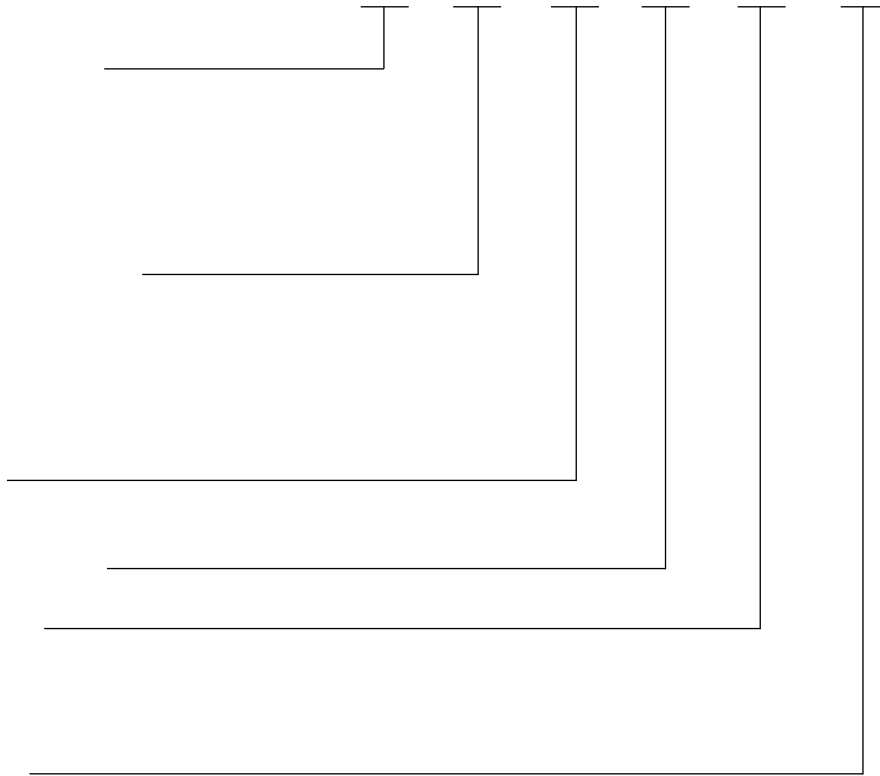
TITLE
RECOMMENDED PANEL DIMENSIONS.
MIL-DTL-5015 SERIES II & III

SHEET
1 OF 1

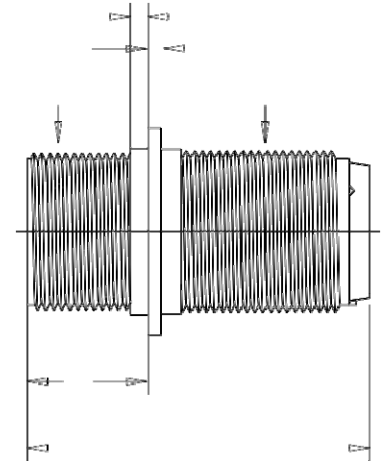
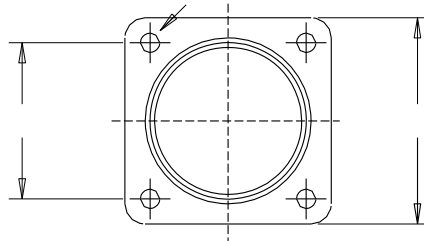
DWG. NO.
M5015

REV
-

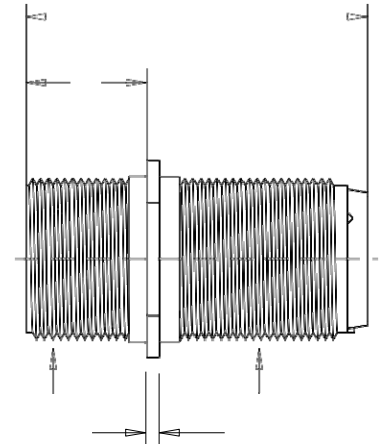
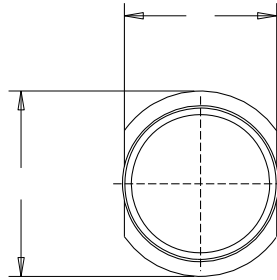
<http://www.corsairelectricalconnectors.com> (949) 833-0273



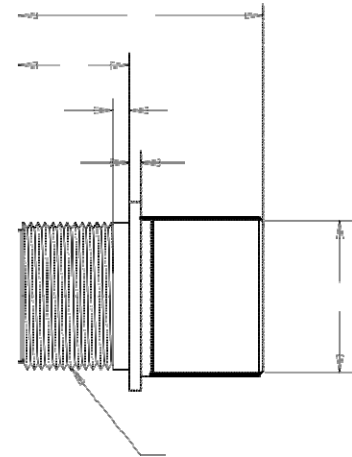
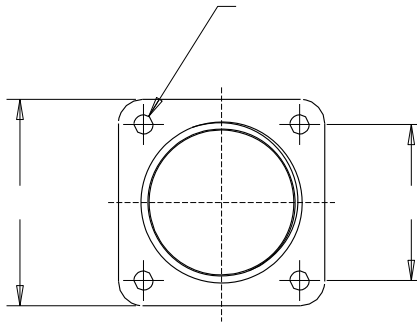
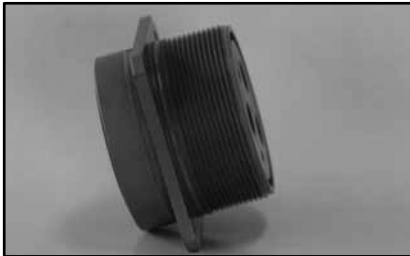
Shell Size	Panel Thickness		Mounting Dimensions					
	MS3454	MS3450 MS3452 Max.	AA Dia. ± 0.015	BB ± 0.005	CC Dia. ⁰¹⁰ 005		DD ± 0.005	EE Dia. + 0.005 - 0.010
					Class D,L & W	Class K		
8S	.140/.090	0.187	0.562	0.594	0.120	0.150	0.323	0.515
10S	.140/.090	0.187	0.688	0.719	0.120	0.150	0.385	0.640
10SL	.140/.090	0.187	0.688	0.719	0.120	0.150	0.385	0.640
12S	.140/.090	0.187	0.812	0.812	0.120	0.150	0.448	0.765
12	.140/.090	0.125	0.812	0.812	0.120	0.150	0.448	0.765
14S	.140/.090	0.187	0.938	0.906	0.120	0.150	0.510	0.890
14	.140/.090	0.125	0.938	0.906	0.120	0.150	0.510	0.890
16S	.140/.090	0.187	1.062	0.969	0.120	0.150	0.573	1.015
16	.140/.090	0.125	1.062	0.969	0.120	0.150	0.573	1.015
18	.140/.090	0.125	1.188	1.062	0.120	0.177	0.635	1.140
20	.140/.090	0.125	1.312	1.156	0.120	0.177	0.698	1.265
22	.140/.090	0.125	1.438	1.250	0.120	0.177	0.760	1.390
24	.140/.090	0.187	1.562	1.375	0.147	0.177	0.823	1.515
28	.140/.090	0.187	1.812	1.562	0.147	0.177	0.948	1.765
32	.140/.090	0.250	2.062	1.750	0.173	0.209	1.073	2.015
36	.140/.110	0.250	2.312	1.938	0.173	0.209	1.198	2.265
40	.140/.110	0.250	2.562	2.188	0.173	0.209	1.323	2.515



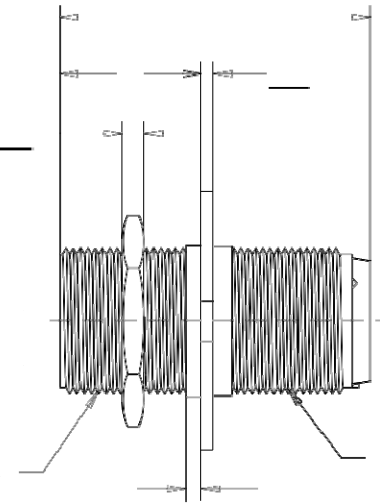
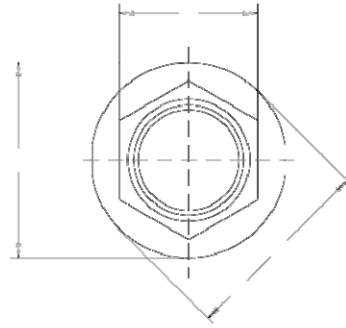
Shell Size	A T.P. ø-ø	B ^{+0.010} / _{-.005} Class		C ± .031	E Max.		F ± .015	G Accessory Thread Class 2A	H + .031 - .000	J Max. Contact Size			D Coupling Thread Class 2A
		L,LS,W	KT,KS		Front Mount	Rear Mount				16 & 12	8,4 & 0		
8S	0.594	0.120	0.150	0.875	0.171	0.331	0.083	1/2-20 UNEF	0.562	2.031	---	1/2-28 UNEF	
10S	0.719	0.120	0.150	1.000	0.171	0.331	0.083	5/8-24 UNEF	0.562	2.031	---	5/8-24 UNEF	
10SL	0.719	0.120	0.150	1.000	0.171	0.331	0.083	5/8-24 UNEF	0.562	2.031	---	5/8-24 UNEF	
12S	0.812	0.120	0.150	1.094	0.171	0.331	0.083	3/4-20 UNEF	0.562	2.031	---	3/4-20 UNEF	
12	0.812	0.120	0.150	1.094	0.109	0.403	0.083	3/4-20 UNEF	0.750	2.125	---	3/4-20 UNEF	
14S	0.906	0.120	0.150	1.188	0.171	0.331	0.083	7/8-20 UNEF	0.562	2.031	---	7/8-20 UNEF	
14	0.906	0.120	0.150	1.188	0.109	0.403	0.083	7/8-20 UNEF	0.750	2.125	---	7/8-20 UNEF	
16S	0.969	0.120	0.150	1.281	0.171	0.331	0.083	1-20 UNEF	0.562	2.031	---	1-20 UNEF	
16	0.969	0.120	0.150	1.281	0.109	0.403	0.083	1-20 UNEF	0.750	2.125	2.500	1-20 UNEF	
18	1.062	0.120	0.177	1.375	0.109	0.413	0.125	1 1/16-18 UNEF	0.750	2.125	2.500	1 1/8-18 UNEF	
20	1.156	0.120	0.177	1.500	0.109	0.413	0.125	1 3/16-18 UNEF	0.750	2.125	2.500	1 1/4-18 UNEF	
22	1.250	0.120	0.177	1.625	0.109	0.413	0.125	1 5/16-18 UNEF	0.750	2.125	2.500	1 3/8-18 UNEF	
24	1.375	0.147	0.177	1.750	0.171	0.371	0.125	1 7/16-18 UNEF	0.812	2.125	2.500	1 1/2-18 UNEF	
28	1.562	0.147	0.177	2.000	0.171	0.194	0.125	1 3/4-18 UNS	0.812	2.125	2.500	1 3/4-18 UNS	
32	1.750	0.173	0.209	2.250	0.234	0.131	0.125	2-18 UNS	0.875	2.125	2.500	2-18 UNS	
36	1.938	0.173	0.209	2.500	0.234	0.131	0.125	2 1/4-16 UN	0.875	2.125	2.500	2 1/4-16 UN	
40	2.188	0.173	0.209	2.750	0.234	0.131	0.125	2 1/2-16 UN	0.875	2.125	2.500	2 1/2-16 UN	
44	2.375	0.173	0.209	3.000	0.234	0.281	0.125	2 3/4-16 UN	0.875	2.125	2.500	2 3/4-16 UN	
48	2.625	0.173	0.209	3.250	0.234	0.281	0.125	3-16 UN	0.875	2.125	2.500	3-16 UN	



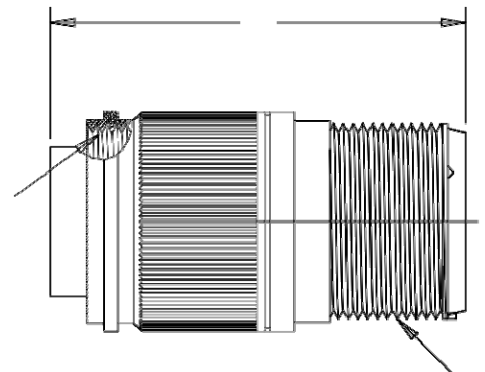
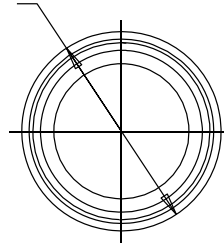
Shell Size	A ±.031	B		C Coupling Threads Class 2A	D Accessory Thread Class 2A	E ± .031 - .000	F ±.015	G	
		Max.	Min					Max. Contact Size 16 & 12	8,4 & 0
8S	0.729	0.504	0.496	1/2-28 UNEF	1/2-20 UNEF	0.562	0.083	2.031	---
10S	0.854	0.629	0.621	5/8-24 UNEF	5/8-24 UNEF	0.562	0.083	2.031	---
10SL	0.854	0.629	0.621	5/8-24 UNEF	5/8-24 UNEF	0.562	0.083	2.031	---
12S	0.974	0.754	0.746	3/4-20 UNEF	3/4-20 UNEF	0.562	0.083	2.031	---
12	0.974	0.754	0.746	3/4-20 UNEF	3/4-20 UNEF	0.750	0.083	2.125	---
14S	1.099	0.879	0.871	7/8-20 UNEF	7/8-20 UNEF	0.562	0.083	2.031	---
14	1.099	0.879	0.871	7/8-20 UNEF	7/8-20 UNEF	0.750	0.083	2.125	---
16S	1.224	1.005	0.996	1-20 UNEF	1-20 UNEF	0.562	0.083	2.031	---
16	1.224	1.005	0.996	1-20 UNEF	1-20 UNEF	0.750	0.083	2.125	2.500
18	1.349	1.131	1.121	1 1/8-18 UNEF	1 1/16-18 UNEF	0.750	0.125	2.125	2.500
20	1.474	1.256	1.246	1 1/4-18 UNEF	1 3/16-18 UNEF	0.750	0.125	2.125	2.500
22	1.599	1.381	1.371	1 3/8-18 UNEF	1 5/16-18 UNEF	0.750	0.125	2.125	2.500
24	1.715	1.506	1.496	1 1/2-18 UNEF	1 7/16-18 UNEF	0.812	0.125	2.125	2.500
28	1.974	1.756	1.746	1 3/4-18 UNS	1 3/4-18 UNEF	0.812	0.125	2.125	2.500
32	2.224	2.007	1.996	2-18 UNS	2-18 UNS	0.875	0.125	2.125	2.500
36	2.474	2.257	2.246	2 1/4-16 UN	2 1/4-16 UN	0.875	0.125	2.125	2.500
40	2.724	2.511	2.496	2 1/2-16 UN	2 1/2-16 UN	0.875	0.125	2.125	2.500



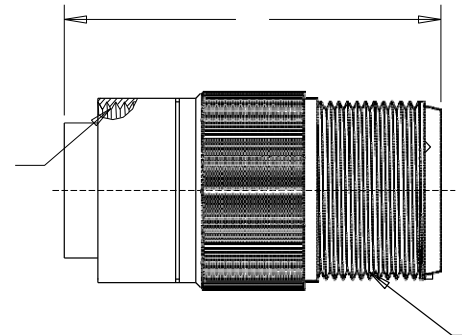
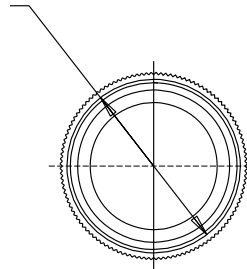
Shell Size	A ± .031	B T.P. ø-ø	C + .010 - .005	E + .031 - .000	F ± .015	G Max. Contact Size		H Max.		J ± .016	K Coupling Thread Class 2B
						16 & 12	8, 4 & 10	Front Mount	Rear Mount		
8S	0.875	0.594	0.120	0.562	0.083	1.662	---	0.171	0.331	0.500	1/2-28 UNEF
10S	1.000	0.719	0.120	0.562	0.083	1.662	---	0.171	0.331	0.625	5/8-24 UNEF
10SL	1.000	0.719	0.120	0.562	0.083	1.662	---	0.171	0.331	0.625	5/8-24 UNEF
12S	1.094	0.812	0.120	0.562	0.083	1.662	---	0.171	0.331	0.750	3/4-20 UNEF
12	1.094	0.812	0.120	0.750	0.083	1.662	---	0.109	0.403	0.750	3/4-20 UNEF
14S	1.188	0.906	0.120	0.562	0.083	1.662	---	0.171	0.331	0.875	7/8-20 UNEF
14	1.188	0.906	0.120	0.750	0.083	1.662	---	0.109	0.403	0.875	7/8-20 UNEF
16S	1.281	0.969	0.120	0.562	0.083	1.662	---	0.171	0.331	1.000	1-20 UNEF
16	1.281	0.969	0.120	0.750	0.083	1.662	1.937	0.109	0.403	1.000	1-20 UNEF
18	1.375	1.062	0.120	0.750	0.125	1.662	1.937	0.109	0.413	1.062	1 1/8-18 UNEF
20	1.500	1.156	0.120	0.750	0.125	1.662	1.937	0.109	0.413	1.187	1 1/4-18 UNEF
22	1.625	1.250	0.120	0.750	0.125	1.662	1.937	0.109	0.413	1.312	1 3/8-18 UNEF
24	1.750	1.375	0.147	0.812	0.125	1.662	1.937	0.171	0.371	1.437	1 1/2-18 UNEF
28	2.000	1.562	0.147	0.812	0.125	1.662	1.937	0.171	0.194	1.750	1 3/4-18 UNS
32	2.250	1.750	0.173	0.875	0.125	1.662	1.937	0.234	0.131	2.000	2-18 UNS
36	2.500	1.938	0.173	0.875	0.125	1.662	1.937	0.234	0.131	2.250	2 1/4-16 UN
40	2.750	2.188	0.173	0.875	0.125	1.662	1.937	0.234	0.131	2.500	2 1/2-16 UN



Shell Size	A ± .005	B ± .017	C ± .005	D ± .005	E Max. Contact Size		F Coupling Thread Class 2A	G Max.	H Accessory Thread Class 2A
					16 & 12	8,4 & 0			
8S	1.187	0.687	1.272	0.720	2.031	---	1/2-28 UNEF	0.128	1/2-20 UNEF
10S	1.312	0.812	1.397	0.720	2.031	---	5/8-24 UNEF	0.128	5/8-24 UNEF
10SL	1.312	0.812	1.397	0.720	2.031	---	5/8-24 UNEF	0.128	5/8-24 UNEF
12S	1.437	0.937	1.522	0.720	2.031	---	3/4-20 UNEF	0.128	3/4-20 UNEF
12	1.437	0.937	1.522	0.970	2.125	---	3/4-20 UNEF	0.128	3/4-20 UNEF
14S	1.562	1.062	1.647	0.720	2.031	---	7/8-20 UNEF	0.128	7/8-20 UNEF
14	1.562	1.062	1.647	0.970	2.125	---	7/8-20 UNEF	0.128	7/8-20 UNEF
16S	1.687	1.188	1.772	0.720	2.031	---	1-20 UNEF	0.128	1-20 UNEF
16	1.687	1.188	1.772	0.970	2.125	2.500	1-20 UNEF	0.128	1-20 UNEF
18	1.812	1.312	1.897	0.970	2.125	2.500	1 1/8-18 UNEF	0.128	1 1/16-18 UNEF
20	1.937	1.438	2.022	0.970	2.125	2.500	1 1/4-18 UNEF	0.128	1 3/16-18 UNEF
22	2.156	1.562	2.341	0.970	2.125	2.500	1 3/8-18 UNEF	0.128	1 5/16-18 UNEF
24	2.281	1.688	2.366	0.970	2.125	2.500	1 1/2-18 UNEF	0.128	1 7/16-18 UNEF
28	2.531	2.000	2.616	0.970	2.125	2.500	1 3/4-18 UNS	0.128	1 3/4-18 UNS
32	2.781	2.250	2.866	0.970	2.125	2.500	2-18 UNS	0.128	2-18 UNS
36	3.031	2.500	3.116	0.970	2.125	2.500	2 1/4-16 UN	0.128	2 1/4-16 UN
40	3.281	2.750	3.366	0.970	2.125	2.500	2 1/2-16 UN	0.128	2 1/2 UN



Shell Size	A Max.	B Coupling Thread Class 2B	C Max. Contact Size 16 & 12 8, 4 & 0	D Accessory Thread Class 2A
8S	0.844	1/2-28 UNEF	2.031	1/2-20 UNEF
10S	0.969	5/8-24 UNEF	2.031	5/8-24 UNEF
10SL	0.969	5/8-24 UNEF	2.031	5/8-24 UNEF
12S	1.062	3/4-20 UNEF	2.031	3/4-20 UNEF
12	1.062	3/4-20 UNEF	2.125	3/4-20 UNEF
14S	1.156	7/8-20 UNEF	2.031	7/8-20 UNEF
14	1.156	7/8-20 UNEF	2.125	7/8-20 UNEF
16S	1.250	1-20 UNEF	2.031	1-20 UNEF
16	1.250	1-20 UNEF	2.125	2.500
18	1.344	1 1/8-18 UNEF	2.125	2.500
20	1.469	1 1/4-18 UNEF	2.125	2.500
22	1.594	1 3/8-18 UNEF	2.125	2.500
24	1.719	1 1/2-18 UNEF	2.125	2.500
28	1.969	1 3/4-18 UNS	2.125	2.500
32	2.219	2-18 UNS	2.125	2.500
36	2.469	2 1/4-16 UN	2.125	2.500
40	2.719	2 1/2-16 UN	2.125	2.500



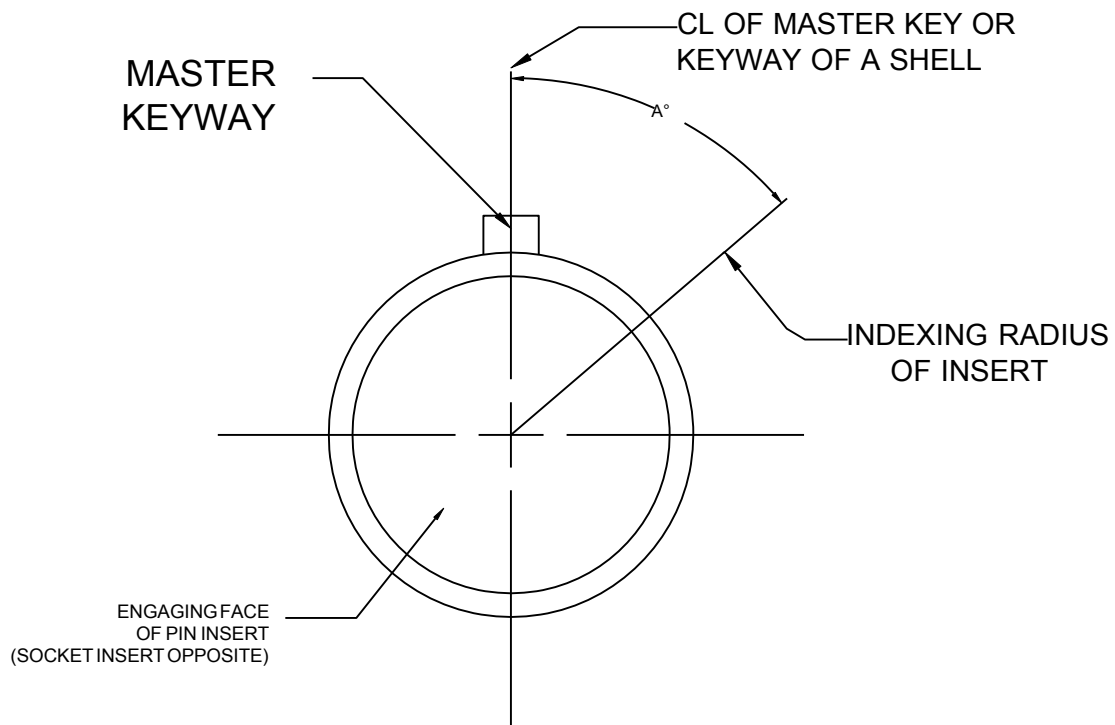
Shell Size	A Max.	B Coupling Thread Class 2B	C Max. Contact Size		D Accessory Thread Class 2A
			16 & 12	8,4 & 0	
8S	0.963	1/2-28 UNEF	2.031	---	1/2-20 UNEF
10S	1.088	5/8-24 UNEF	2.031	---	5/8-24 UNEF
10SL	1.088	5/8-24 UNEF	2.031	---	5/8-24 UNEF
12S	1.213	3/4-20 UNEF	2.031	---	3/4-20 UNEF
12	1.213	3/4-20 UNEF	2.125	---	3/4-20 UNEF
14S	1.358	7/8-20 UNEF	2.031	---	7/8-20 UNEF
14	1.358	7/8-20 UNEF	2.125	---	7/8-20 UNEF
16S	1.463	1-20 UNEF	2.031	---	1-20 UNEF
16	1.463	1-20 UNEF	2.125	2.500	1-20 UNEF
18	1.588	1 1/8-18 UNEF	2.125	2.500	1 1/16-18 UNEF
20	1.713	1 1/4-18 UNEF	2.125	2.500	1 3/16-18 UNEF
22	1.788	1 3/8-18 UNEF	2.125	2.500	1 5/16-18 UNEF
24	1.963	1 1/2-18 UNEF	2.125	2.500	1 7/16-18 UNEF
28	2.213	1 3/4-18 UNS	2.125	2.500	1 3/4-18 UNS
32	2.463	2-18 UNS	2.125	2.500	2-18 UNS
36	2.713	2 1/4-16 UN	2.125	2.500	2 1/4-16 UN
40	2.963	2 1/2-16 UN	2.125	2.500	2 1/2-16 UN

MIL-DTL-5015

SERIES II & III



ALTERNATIVE CLOCKING POSITIONS SERIES II & III, MIL-DTL-5015



NORMAL POSITIONS - THE CENTERLINE OF THE FACE VIEW OF THE INSERT PATTERN (SEE INSERT PATTERN LAYOUT CHART) IS ALIGNED WITH THE SHELL KEYWAY ON THE PLUG AND THE KEY ON THE RECEPTACLE. THEREFORE, ANGLE A ON THE OPPOSITE DRAWING WOULD BE ZERO DEGREES.

ALTERNATE POSITIONS - THE CENTERLINE OF THE FACE VIEW OF THE INSERT PATTERN (SEE INSERT PATTERN LAYOUT CHART) IS ROTATED IN RELATIONSHIP TO THE SHELL KEYWAY ON THE PLUG AND KEY ON THE RECEPTACLE. PIN INSERTS ARE ROTATED COUNTER CLOCKWISE. THEREFORE A 12S-3 PIN INSERT LAYOUT IN THE W POSITION WOULD HAVE AN ANGLE A (ON THE OPPOSITE DRAWING) OF 70 DEGREES.

TOLERANCE
XX ± .010
.XXX ± .005
ANGLES ± 1°

TITLE
ALTERNATIVE CLOCKING POSITIONS
MIL-DTL-5015 SERIES II & III

SHEET
1 OF 1

DWG. NO.
M5015

REV
-

<http://www.corsairelectricalconnectors.com> (949) 833-0273

MIL-DTL-5015

SERIES II & III



Inserts 5015	Contacts		Service Rating	Alternate Insert Positions A Degrees			
	Quantity	Size		W	X	Y	Z
Shell Size 8							
8S-1	1	16	A	---	---	---	---
Shell Size 10							
10S-2	1	16	A	---	---	---	---
10SL-3	3	16	A	---	---	---	---
10SL-4	2	16	A	---	---	---	---
Shell Size 12							
12S-1	2	16	A	12S-3 Rotated 100 Degrees in Shell			
12S-2	2	16	A	12S-3 Rotated 250 Degrees in Shell			
12S-3	2	16	A	70	145	215	290
12S-4	1	16	D	---	---	---	---
12-5	1	12	D	---	---	---	---
Shell Size 14							
14S-1	3	16	A	---	---	---	---
14S-2	4	16	INST	---	120	240	---
14-3	1	8	A	---	---	---	---
14S-5	5	16	INST	---	110	---	---
14S-6	6	16	INST	---	---	---	---
14S-7	3	16	A	90	180	270	---
14S-9	2	16	A	70	145	215	290
14S-10	4	16	INST	14S-2 Rotated 100 Degrees in Shell			
14S-11	4	16	INST	14S-2 Rotated 250 Degrees in Shell			
Shell Size 16							
16S-1	7	16	A	80	---	---	280
16-2	7	12	E	---	---	---	---
16S-3	1	16	B	---	---	---	---
16S-4	2	16	D	35	110	250	325
16S-5	3	16	A	70	145	215	290
16S-6	3	16	A	90	180	270	---
16-7	2	16	A	80	110	250	280
	1	8					
16S-8	5	16	A	---	170	265	---
16-9	2	16	A	35	110	250	325
	2	12					
16-10	3	12	A	90	180	270	---
16-11	2	12	A	35	110	250	325
16-12	1	4	A	---	---	---	---
16-13	2	12	A	35	110	250	325

TOLERANCE
 XX ± .010
 .XXX ± .005
 ANGLES ± 1°

TITLE
 INSERT ARRANGEMENTS
 MIL-DTL-5015 SERIES II & III

SHEET
 1 OF 6

DWG. NO.
 M5015

REV
 -

<http://www.corsairelectricalconnectors.com> (949) 833-0273

MIL-DTL-5015

SERIES II & III



Shell Size 18							
18-1	4	16	A (B,C,F,G)	70	145	215	290
	6		INST (Bal)				
18-3	2	12	D	35	110	250	325
18-4	4	16	D	35	110	250	325
18-5	1	16	D	80	110	250	280
	2	12					
18-6	1	4	D	---	---	---	---
18-7	1	8	B	---	---	---	---
18-8	7	16	A	70	---	---	290
	1	12					
18-9	5	16	INST	80	110	250	280
	2	12					
18-10	4	12	A	---	120	240	---
18-11	5	12	A	---	170	265	---
18-12	6	16	A	80	---	---	280
18-13	3	12	A	80	110	250	280
	1	8					
18-14	1	16	A	80	110	250	280
	1	4					
18-15	4	12	A	---	120	240	---
18-16	1	12	C	---	---	---	---
18-17	5	16	INST	18-9 Insert Rotated 100 Degrees in Shell			
	2	12					
18-18	5	16	INST	18-9 Insert Rotated 250 Degrees in Shell			
	2	12					
18-19	10	16	A	---	120	240	---
18-20	5	16	A	90	180	270	---
18-22	3	16	D	70	145	215	290
18-23	4	16	A (B,C,F,G)	18-1 Insert Rotated 100 Degrees in Shell			
	6		INST				
18-24	4	16	A (B,C,F,G)	18-1 Insert Rotated 250 Degrees in Shell			
	6		INST				
18-27	1	16	D	18-5 Insert Rotated 100 Degrees in Shell			
	2	12					
18-28	1	16	D	18-5 Insert Rotated 250 Degrees in Shell			
	2	12					

TOLERANCE
 XX ± .010
 .XXX ± .005
 ANGLES ± 1°

TITLE
 INSERT ARRANGEMENTS
 MIL-DTL-5015 SERIES II & III

SHEET
 2 OF 6

DWG. NO.
 M5015

REV
 -

<http://www.corsairelectricalconnectors.com> (949) 833-0273

MIL-DTL-5015

SERIES II & III



Shell Size 20							
20-1	14	20	INST	---	---	---	---
20-2	1	0	D	---	---	---	---
20-3	3	12	D	70	145	215	290
20-4	4	12	D	45	110	250	---
20-6	3	16	D	70	145	215	290
20-7	4	16	D (A,B,G,H)	80	110	250	280
	4	16	A (C,D,E,F)				
20-8	4	16	INST	80	110	250	280
	2	8					
20-9	1	12	D (H)	80	110	250	280
	7	16	A (Bal)				
20-11	13	16	INST	---	---	---	---
20-14	3	12	A	80	110	250	280
	2	8					
20-15	7	12	A	80	---	---	280
20-16	7	16	A	80	110	250	280
	2	12					
20-17	1	16	A	90	180	270	---
	5	12					
20-18	6	16	A	35	110	250	325
	3	12					
20-19	3	8	A	90	180	270	---
20-21	8	16	A	35	110	250	325
	1	12					
20-22	3	16	A	80	110	250	280
	3	8					
20-23	2	8	A	35	110	250	325
20-24	2	16	A	35	110	250	325
	2	8					
20-25	13	16	INST	20-11 Insert Rotated 100 Degrees			
20-27	14	16	A	35	110	250	325
20-29	17	16	A	80	---	---	280
20-32	4	16	D (A,B,G,H)	20-7 Insert Rotated 260 Degrees in Shell			
	4	16	A (C,D,E,F)				
20-33	11	16	A	---	---	---	---

TOLERANCE
 XX ± .010
 .XXX ± .005
 ANGLES ± 1°

TITLE
 INSERT ARRANGEMENTS
 MIL-DTL-5015 SERIES II & III

SHEET
 3 OF 6

DWG. NO.
 M5015

REV
 -

<http://www.corsairelectricalconnectors.com> (949) 833-0273

MIL-DTL-5015

SERIES II & III



Shell Size 22							
22-1	2	8	D	35	110	250	325
22-2	3	8	D	70	145	215	290
22-3	1	16	D	80	110	250	280
	1	4					
22-4	2	12	A	35	110	250	325
	2	8					
22-5	4	16	D	35	110	250	325
	2	12					
22-6	1	16	D	80	110	250	280
	2	8					
22-7	1	0	E	---	---	---	---
22-9	3	12	E	70	145	215	290
22-10	4	16	E	35	110	250	325
22-11	2	16	B	35	110	250	325
22-12	3	16	D	80	110	250	280
	2	8					
22-13	1	16	D (E)	35	110	250	325
	4	12	A (B,C,D)				
22-14	19	16	A	80	110	250	280
22-15	1	16	E (D)	80	110	250	280
	5	12	A (Bal)				
22-17	1	16	D (A)	80	110	250	280
	7	16	A (Bal)				
	1	12	A (E)				
22-18	3	16	A (C,D,E)	80	110	250	280
	5	16	D (Bal)				
22-19	14	16	A	80	110	250	280
22-20	9	16	A	35	110	250	325
22-21	2	16	A	80	110	250	280
	1	0					
22-22	4	8	A	---	110	250	---
22-23	1	12	D (H)	35	---	250	---
	7	12	A (Bal)				
22-27	1	8	D (J)	80	---	250	280
	8	16	A (Bal)				
22-28	7	12	A	80	---	---	280
22-30	19	16	A	22-14 Insert rotated 260 Degrees in Shell			
22-32	4	16	D	22-5 Insert rotated 260 Degrees in Shell			
	2	12					

TOLERANCE
 XX ± .010
 .XXX ± .005
 ANGLES ± 1°

TITLE
 INSERT ARRANGEMENTS
 MIL-DTL-5015 SERIES II & III

SHEET
 4 OF 6

DWG. NO.
 M5015

REV
 -

<http://www.corsairelectricalconnectors.com> (949) 833-0273

MIL-DTL-5015

SERIES II & III



Shell Size 22 (Continued)							
22-33	3	16	A (E,F,G)	80	110	250	280
	4	16	D (A,B,C,D)				
22-36	1	12	D (H)	90	---	270	---
	7	12	A (Bal)				
Shell Size 24							
24-1	1	12	D	80	110	250	280
	1	0					
24-2	7	12	D	80	---	---	280
24-4	3	16	D	80	110	250	280
	1	0					
24-5	16	16	A	80	110	250	280
24-6	3	12	D (A,G,H)	80	110	250	280
	5	12	A (Bal)				
24-7	14	16	A	80	110	250	280
	2	12					
24-9	2	4	A	35	110	250	325
24-10	7	8	A	80	---	---	280
24-11	6	12	A	35	110	250	325
	3	8					
24-12	3	12	A	80	110	250	280
	2	4					
24-15	16	16	A	24-5 Insert rotated 100 Degrees in Shell			
24-16	3	16	D (A,B,F)	80	110	250	280
	3	12	A (Bal)				
	1	8	D (G)				
24-18	4	16	---	---	A-B & C-D Short without Pins??		
24-20	9	16	D	80	110	250	280
	2	12					
24-21	9	16	D	80	110	250	280
	1	8					
24-22	4	8	D	45	110	250	---
24-24	16	16	A	24-5 Insert rotated 250 Degrees in Shell			
24-27	7	16	E	80	---	---	280
24-28	24	16	INST	80	110	250	280
24-80	23	16	INST	35	145	240	300

TOLERANCE
 XX ± .010
 .XXX ± .005
 ANGLES ± 1°

TITLE
 INSERT ARRANGEMENTS
 MIL-DTL-5015 SERIES II & III

SHEET
 5 OF 6

DWG. NO.
 M5015

REV
 -

<http://www.corsairelectricalconnectors.com> (949) 833-0273

MIL-DTL-5015

SERIES II & III



Shell Size 28							
28-1	2	12	D (A,E)	80	110	250	280
	4	12	A (B,D,F,H)				
	1	8	D (J)				
	2	8	A (G,C)				
28-2	12	16	D	35	110	250	325
	2	12					
28-3	3	8	E	70	145	215	290
28-4	4	16	E (G,P,S)	80	110	250	280
	4	16	D (A,B,E,F)				
	2	12	D (C,D)				
28-5	2	16	D	35	110	250	325
	1	12					
	2	4					
28-6	3	4	D	70	145	215	290
28-8	1	16	D (B)	80	110	250	280
	9	16	A (Bal)				
	2	12	E (L,M)				
28-9	6	16	D	80	110	250	280
	6	12					
28-10	1	12	D (G)	80	110	250	280
	2	12	A (A,F)				
	2	8	A (B,E)				
	2	4	A (C,D)				
28-11	18	16	A	80	110	250	280
	4	12					
28-12	26	16	A	90	180	270	---
28-15	35	16	A	80	110	250	280
28-16	20	16	A	80	110	250	280
28-17	1	16	B (R)	80	110	250	280
	3	16	D (M,N,P)				
	11	16	A (Bal)				
28-18	1	16	C (M)	70	145	215	290
	2	16	A (A,B)				
	4	16	INST (C,D,E,F)				
	5	16	D (Bal)				
28-19	2	16	B (H,M)	80	110	250	280
	2	16	D (A,B)				
	2	16	A (C,L)				
	4	12	A (E,G,J,K)				

TOLERANCE
 XX ± .010
 .XXX ± .005
 ANGLES ± 1°

TITLE
 INSERT ARRANGEMENTS
 MIL-DTL-5015 SERIES II & III

SHEET
 6 OF 6

DWG. NO.
 M5015

REV
 -

<http://www.corsairelectricalconnectors.com> (949) 833-0273

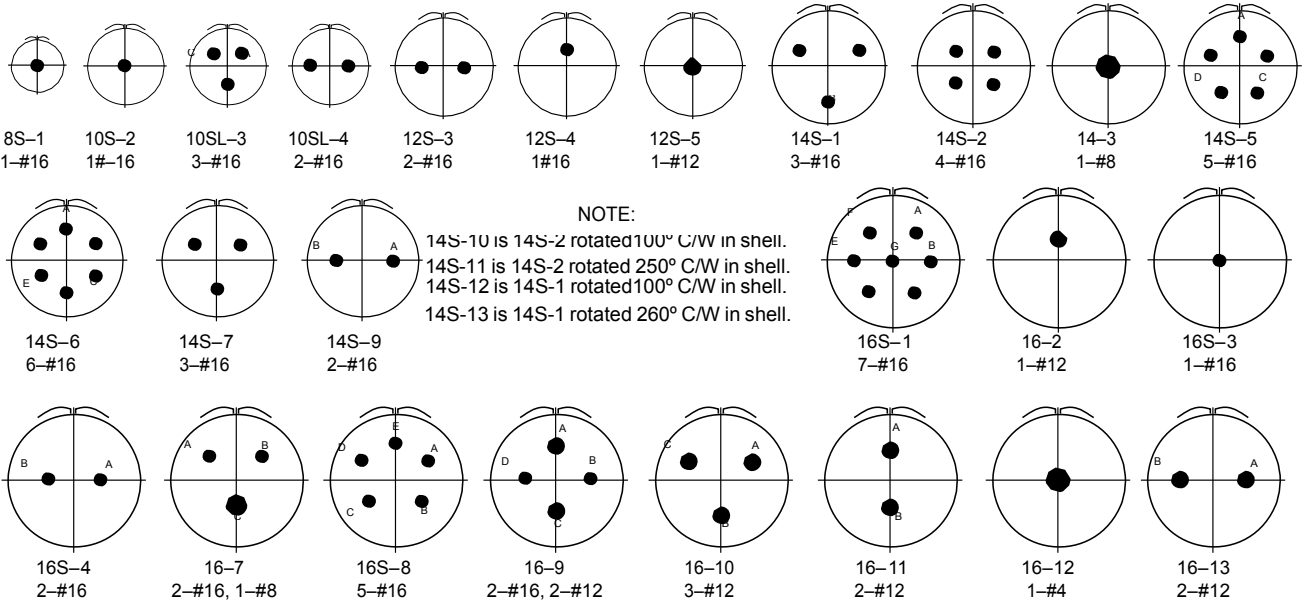
MIL-DTL-5015

SERIES II & III

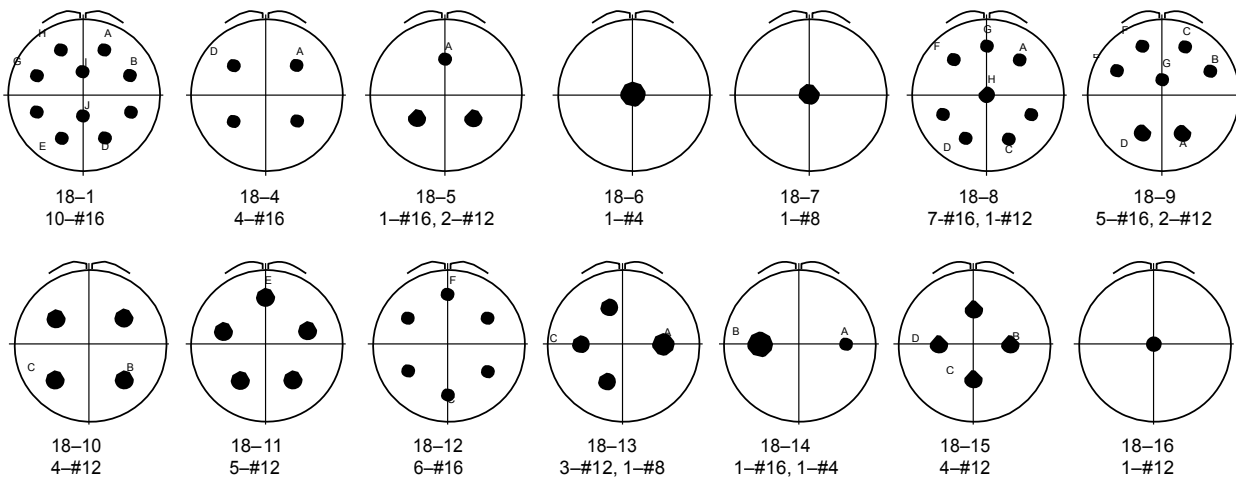


MIL-DTL-5015 SERIES III INSERT PATTERNS PER MIL-STD-1651 CAVITY IDENTIFICATION SHOWN FOR FRONT FACE OF PIN AND REAR FACE OF SOCKET INSERTS

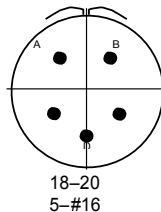
SHELL SIZES 8, 10, 12, 14 AND 16 INSERT PATTERNS



SHELL SIZES 18 INSERT PATTERNS



NOTE:
 The following patterns are also available.
 18-17 is 18-9 rotated 100° C/W in shell.
 18-18 is 18-9 rotated 250° C/W in shell.
 These are in addition to the standard
 W, X, Y and Z polarizations available
 for insert pattern 18-9.



NOTE:
 The following patterns are also available.
 18-23 is 18-1 rotated 100° C/W in shell.
 18-24 is 18-1 rotated 250° C/W in shell.
 18-27 is 18-5 rotated 100° C/W in shell.
 18-28 is 18-5 rotated 250° C/W in shell.
 These are in addition to the standard
 W, X, Y and Z polarizations available
 for insert pattern 18-1 and 18-5.

TOLERANCE
 XX ± .010
 .XXX ± .005
 ANGLES ± 1°

TITLE
 INSERT PATTERNS
 MIL-DTL-5015 SERIES II & III

SHEET
 1 OF 7

DWG. NO.
 M5015

REV
 -

<http://www.corsairelectricalconnectors.com> (949) 833-0273

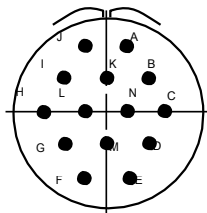
MIL-DTL-5015

SERIES II & III

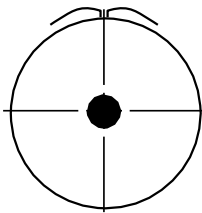


MIL-DTL-5015 SERIES III INSERT PATTERNS PER MIL-STD-1651
 CAVITY IDENTIFICATION SHOWN FOR FRONT FACE
 OF PIN AND REAR FACE OF SOCKET INSERTS

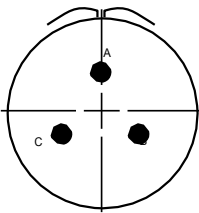
SHELL SIZE 20 INSERT PATTERNS



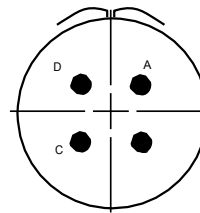
20-1
14-#20



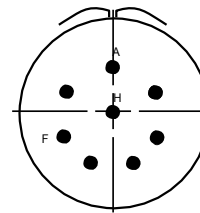
20-2
1-#0



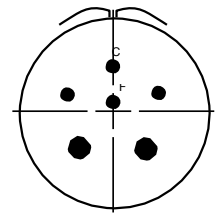
20-3
3-#12



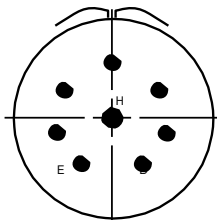
20-4
4-#12



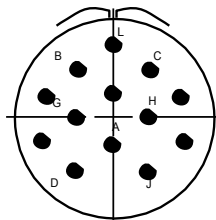
20-7
8-#16



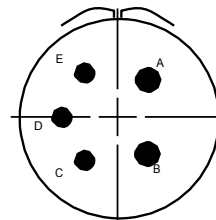
20-8
4-#16, 2-#8



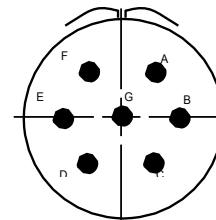
20-9
1-#12, 7-#16



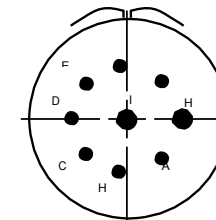
20-11
13-#16



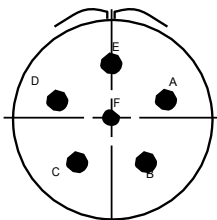
20-14
3-#12, 2-#8



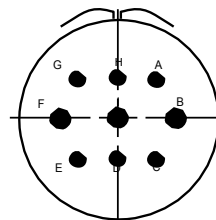
20-15
7-#12



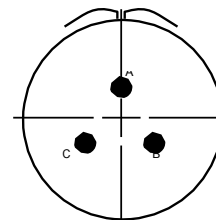
20-16
7-#16, 2-#12



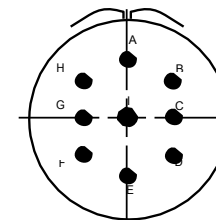
20-17
1-#16, 5-#12



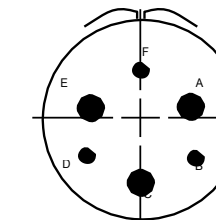
20-18
6-#16, 3-#12



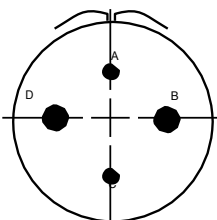
20-19
3-#8



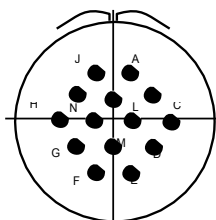
20-21
8-#16, 1-#12



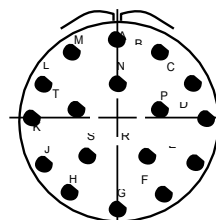
20-22
3-#16, 3-#8



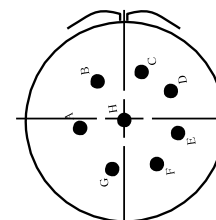
20-24
2-#16, 2-#8



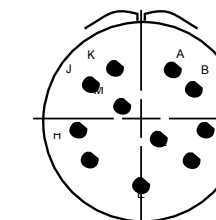
20-27
14-#16



20-29
17-#16



20-32
8-#16



20-33
11-#16

TOLERANCE
 XX ± .010
 .XXX ± .005
 ANGLES ± 1°

TITLE
 INSERT PATTERNS
 MIL-DTL-5015 SERIES II & III

SHEET
 2 OF 7

DWG. NO.
 M5015

REV
 -

<http://www.corsairelectricalconnectors.com> (949) 833-0273

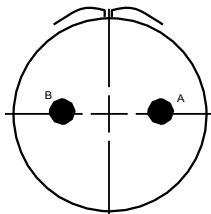
MIL-DTL-5015

SERIES II & III

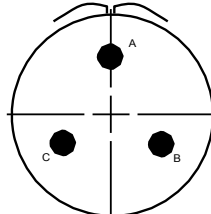


MIL-DTL-5015 SERIES III INSERT PATTERNS PER MIL-STD-1651
CAVITY IDENTIFICATION SHOWN FOR FRONT FACE
OF PIN AND REAR FACE OF SOCKET INSERTS

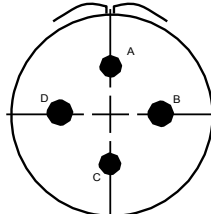
SHELL SIZE 22 INSERT PATTERNS



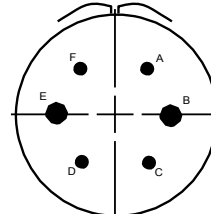
22-1
2-#8



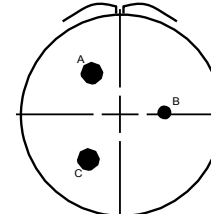
22-2
3-#8



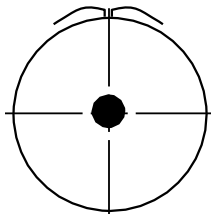
22-4
2-#12, 2-#8



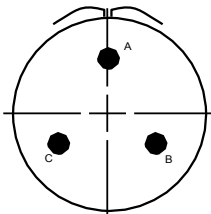
22-5
4-#16, 2-#12



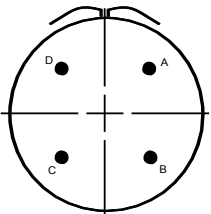
22-6
1-#16, 2-#8



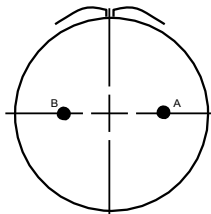
22-7
1-#0



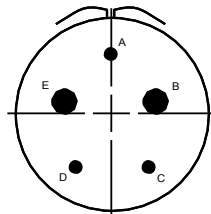
22-9
3-#12



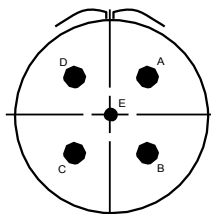
22-10
4-#16



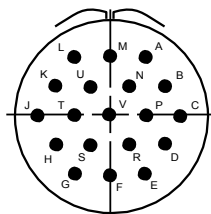
22-11
2-#16



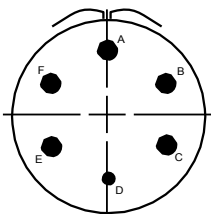
22-12
3-#16, 2-#8



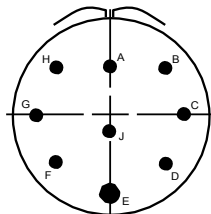
22-13
1-#16, 4-#12



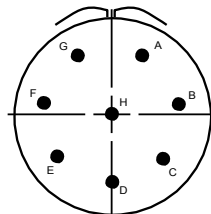
22-14
19-#16



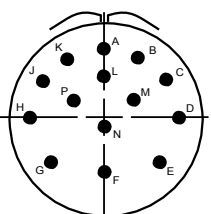
22-15
1-#16, 5-#12



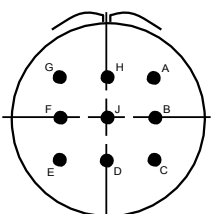
22-17
8-#16, 1-#12



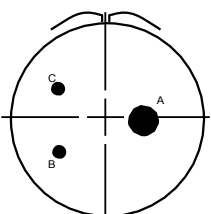
22-18
8-#16



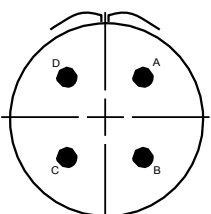
22-19
14-#16



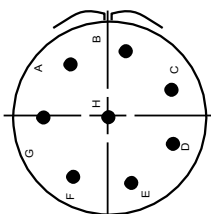
22-20
9-#16



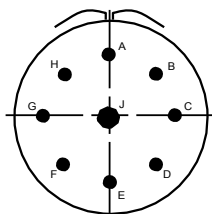
22-21
2-#16, 1-#0



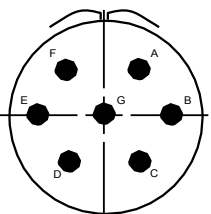
22-22
4-#8



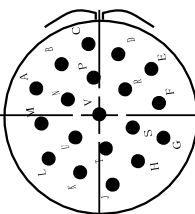
22-23
8-#12



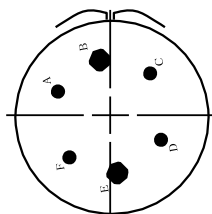
22-27
1-#8, 8-#16



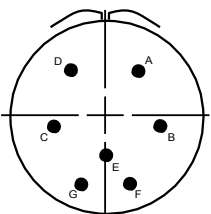
22-28
7-#12



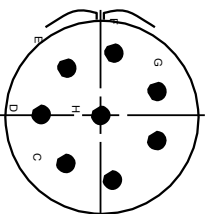
22-30
19-#16



22-32
4-#16, 2-#12



22-33
3-#16, 4-#16



22-36
8-#12

TOLERANCE
XX ± .010
.XXX ± .005
ANGLES ± 1°

TITLE
INSERT PATTERNS
MIL-DTL-5015 SERIES II & III

SHEET
3 OF 7

DWG. NO.
M5015

REV
-

<http://www.corsairelectricalconnectors.com> (949) 833-0273

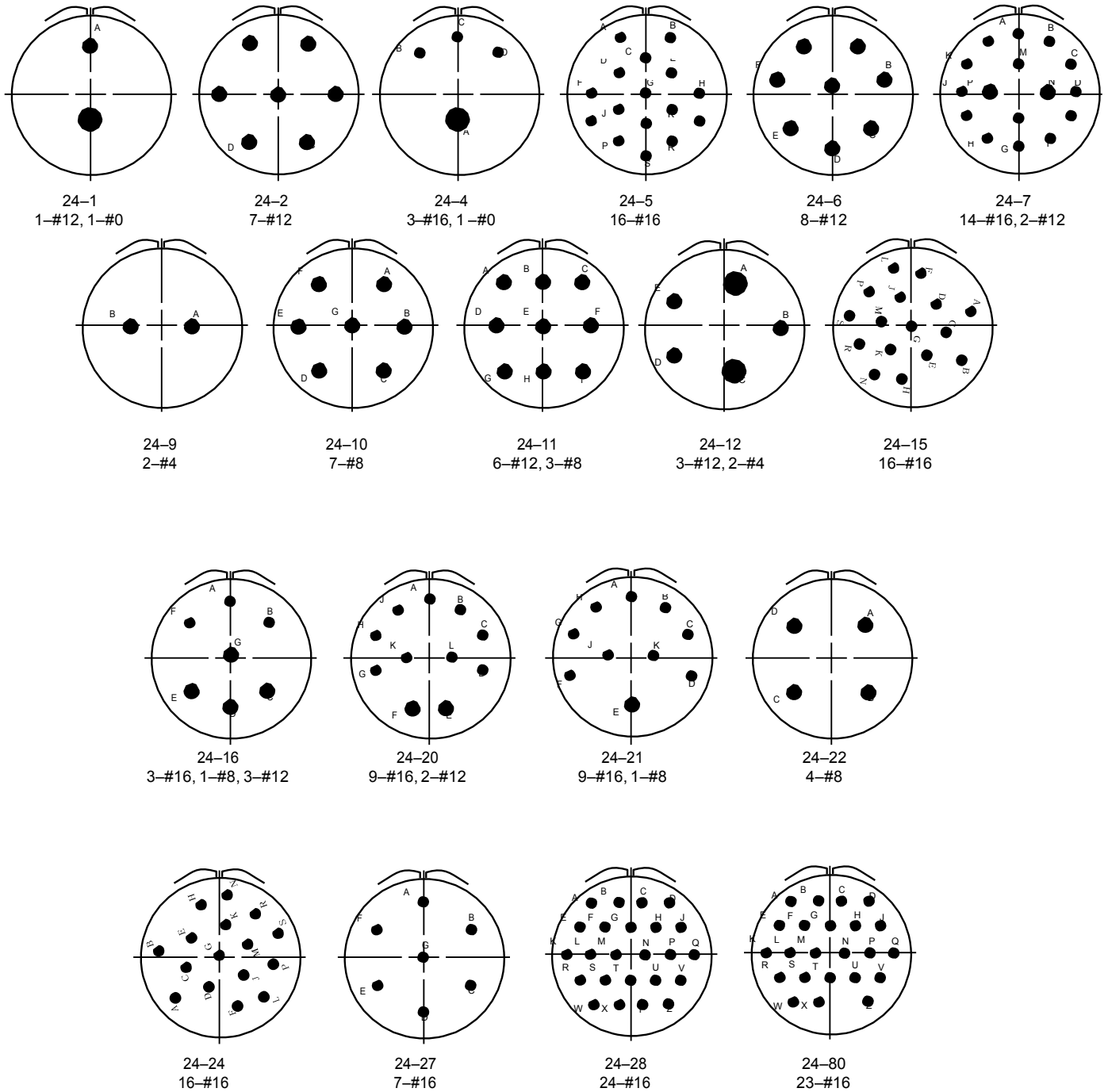
MIL-DTL-5015

SERIES II & III



MIL-DTL-5015 SERIES III INSERT PATTERNS PER MIL-STD-1651
CAVITY IDENTIFICATION SHOWN FOR FRONT FACE
OF PIN AND REAR FACE OF SOCKET INSERTS

SHELL SIZE 24 INSERT PATTERNS



TOLERANCE XX ± .010 .XXX ± .005 ANGLES ± 1°	TITLE INSERT PATTERNS MIL-DTL-5015 SERIES II & III	SHEET 4 OF 7	DWG. NO. M5015	REV -
		http://www.corsairelectricalconnectors.com (949) 833-0273		

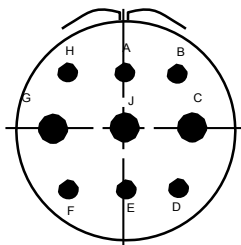
MIL-DTL-5015

SERIES II & III

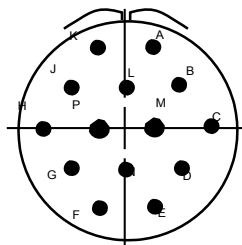


MIL-DTL-5015 SERIES III INSERT PATTERNS PER MIL-STD-1651 CAVITY IDENTIFICATION SHOWN FOR FRONT FACE OF PIN AND REAR FACE OF SOCKET INSERTS

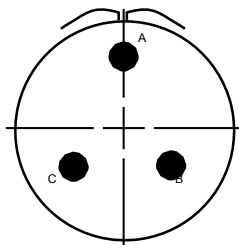
SHELL SIZE 28 INSERT PATTERNS



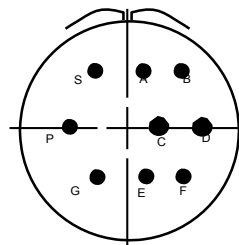
28-1
6-#12, 3-#8



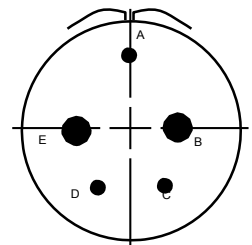
28-2
12-#16, 2-#12



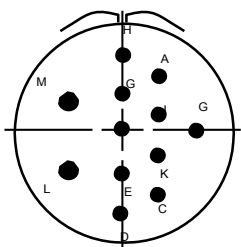
28-3
3-#8



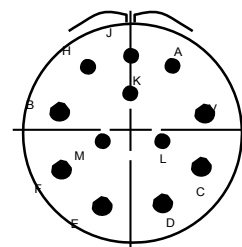
28-4
7-#16, 2-#12



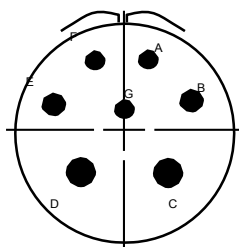
28-5
2-#16, 1-#12, 2-#4



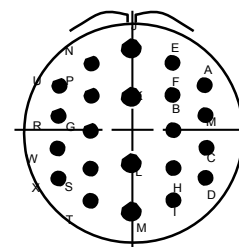
28-8
2-#12, 10-#16



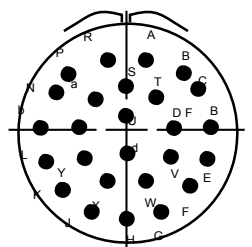
28-9
6-#16, 6-#12



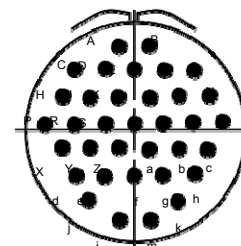
28-10
3-#12, 2-#8, 2-#4



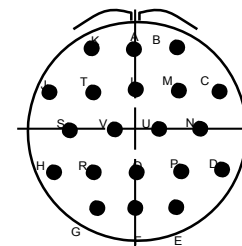
28-11
18-#16, 4-#12



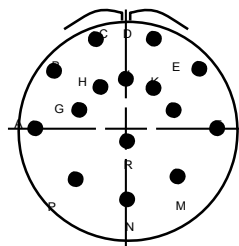
28-12
26-#16



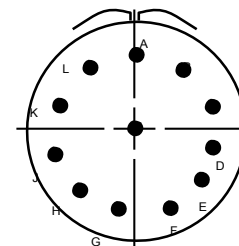
28-15
35-#16



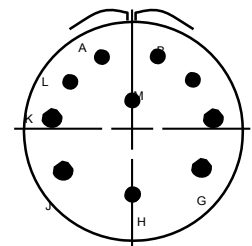
28-16
20-#16



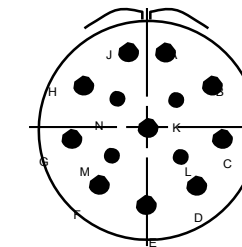
28-17
15-#16



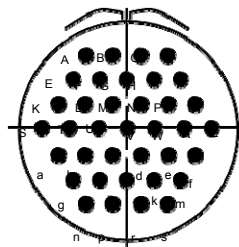
28-18
12-#16



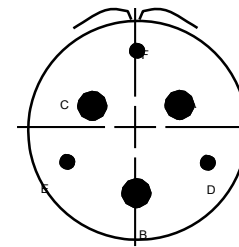
28-19
6-#16, 4-#12



28-20
4-#16, 10-#12



28-21
37-#16



28-22
3-#16, 3-#4

TOLERANCE
XX ± .010
.XXX ± .005
ANGLES ± 1°

TITLE
INSERT PATTERNS
MIL-DTL-5015 SERIES II & III

SHEET
5 OF 7

DWG. NO.
M5015

REV
-

<http://www.corsairelectricalconnectors.com> (949) 833-0273

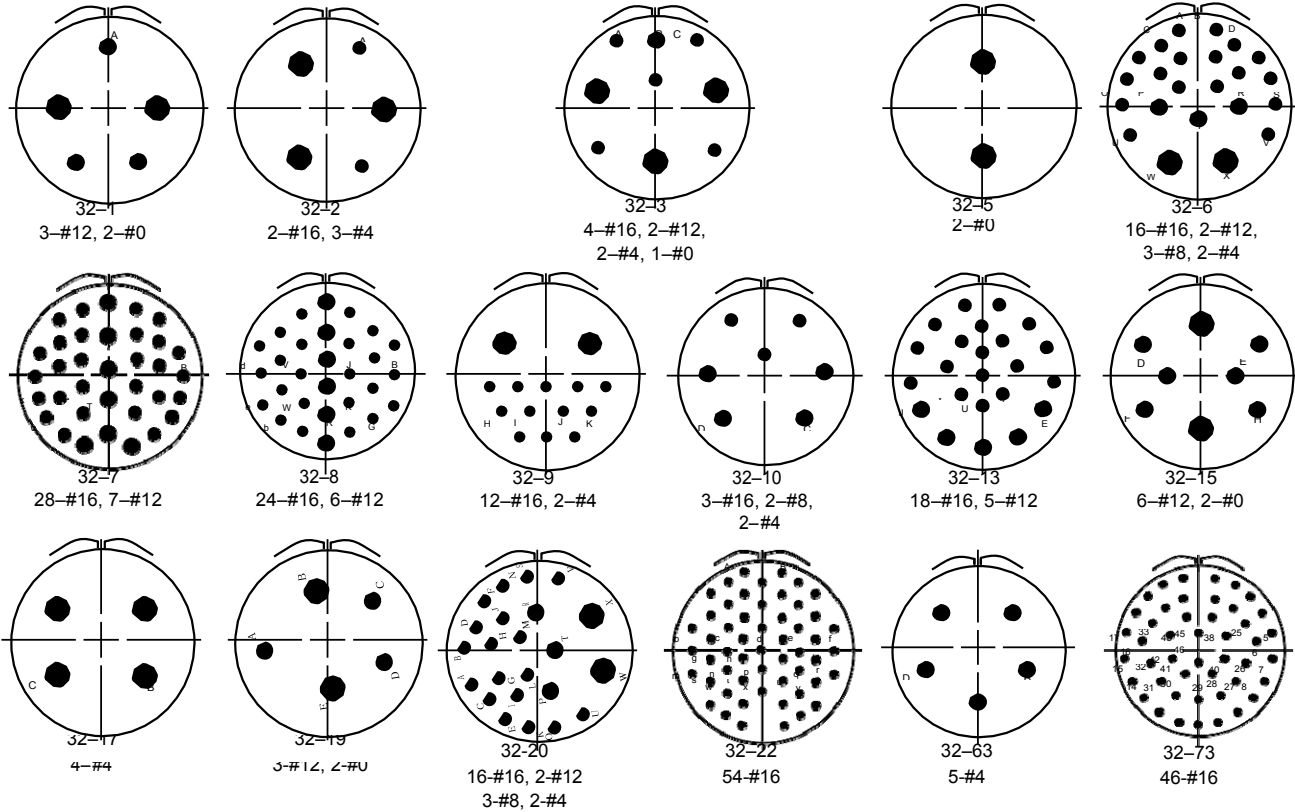
MIL-DTL-5015

SERIES II & III

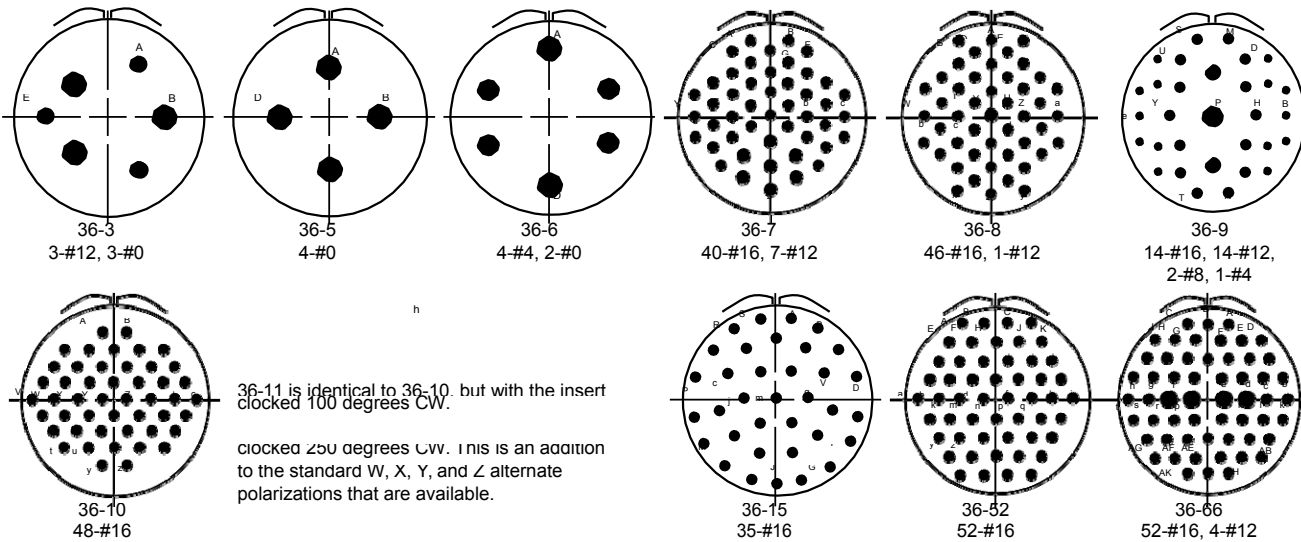


MIL-DTL-5015 SERIES III INSERT PATTERNS CAVITY IDENTIFICATION SHOWN FOR FRONT FACE OF PIN AND REAR FACE OF SOCKET INSERTS

SHELL SIZE 32 INSERT PATTERNS



SHELL SIZE 36 INSERT PATTERNS



TOLERANCE
XX ± .010
.XXX ± .005
ANGLES ± 1°

TITLE
INSERT PATTERNS
MIL-DTL-5015 SERIES II & III

SHEET
6 OF 7

DWG. NO.
M5015

REV

<http://www.corsairelectricalconnectors.com> (949) 833-0273

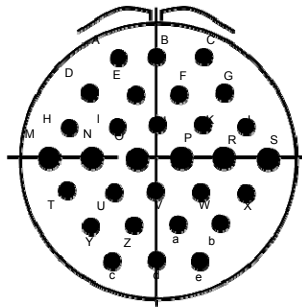
MIL-DTL-5015

SERIES II & III

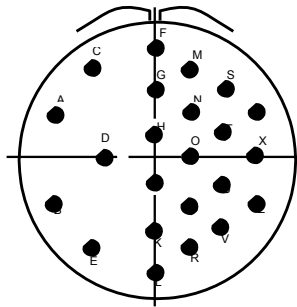


MIL-DTL-5015 SERIES III INSERT PATTERNS PER MIL-STD-1651
 CAVITY IDENTIFICATION SHOWN FOR FRONT FACE
 OF PIN AND REAR FACE OF SOCKET INSERTS

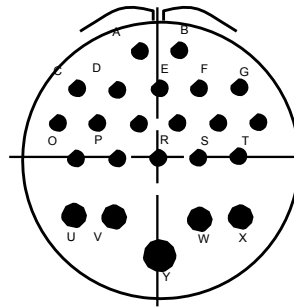
SHELL SIZE 40 INSERT PATTERNS



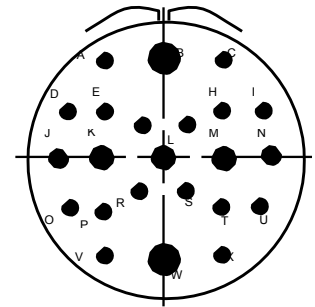
40-1
24-#16, 6-#12



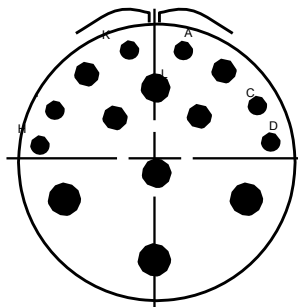
40-2
23-#16



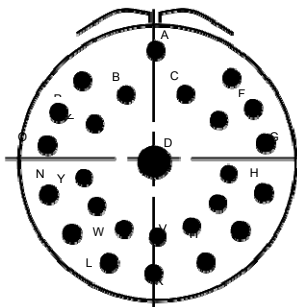
40-3
18-#16, 4-#12, 1-#4



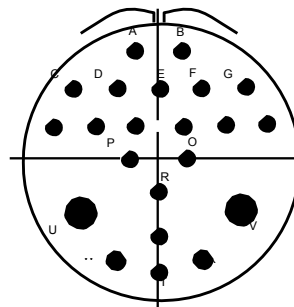
40-4
16-#16, 2-#12,
3-#8, 2-#4



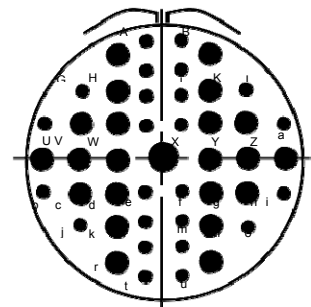
40-5
6-#12, 4-#8,
2-#4, 3-#0



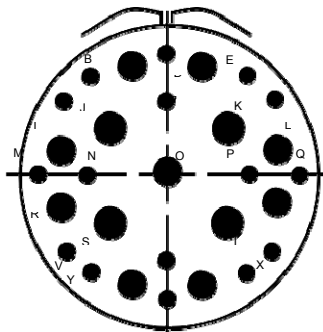
40-6
24-#16, 1-#12, 1-#0



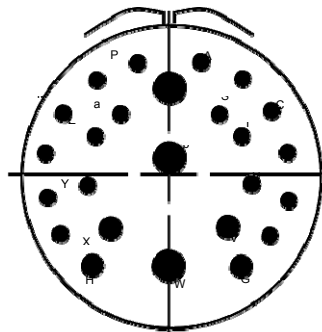
40-7
18-#16, 2-#12, 2-#0



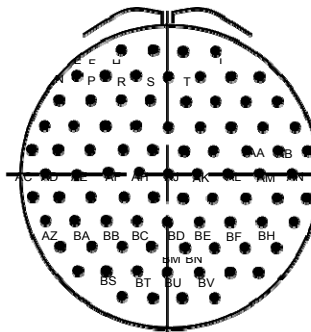
40-9
24-#16, 22-#12, 1-#8



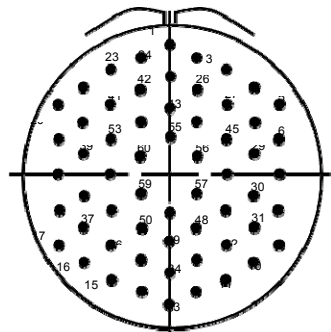
40-10
16-#16, 9-#8, 4-#4



40-11
18-#16, 4-#12,
1-#8, 1-#4, 1-#0



40-56
85-#16



40-62
60-#16

TOLERANCE
 XX ± .010
 .XXX ± .005
 ANGLES ± 1°

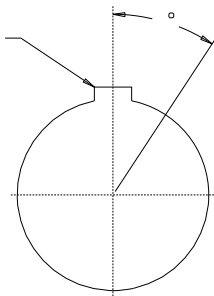
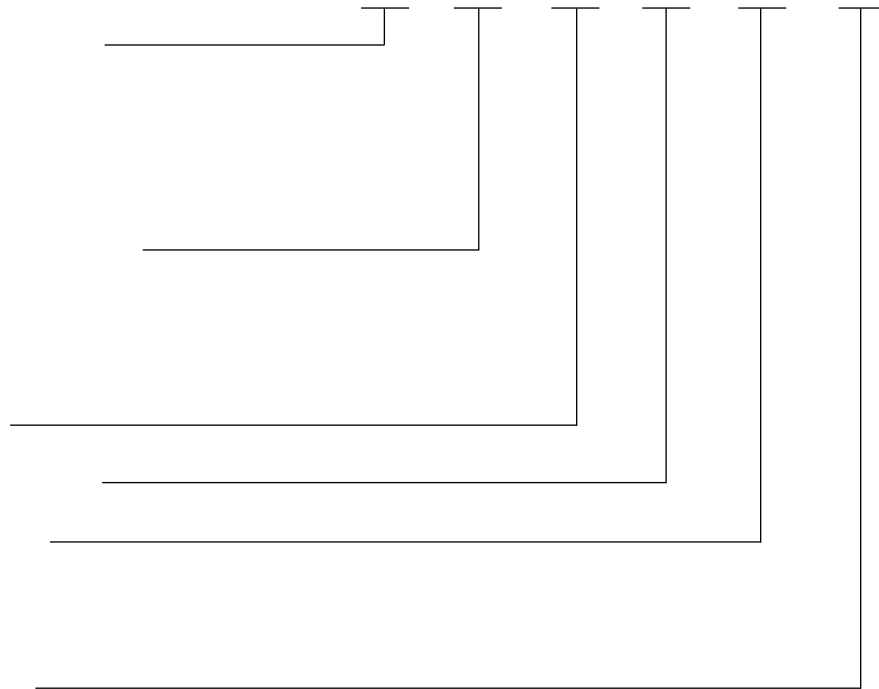
TITLE
 INSERT PATTERNS
 MIL-DTL-5015 SERIES II & III

SHEET
 7 OF 7

DWG. NO.
 M5015

REV
 -

<http://www.corsairelectricalconnectors.com> (949) 833-0273



Insert	: Degrees				
	N°	W°	X°	Y°	Z°
8-2	0	58	122	---	0
8-3	0	60	210	---	---
8-4	0	45	---	---	---
8-33	0	90	---	---	---
8-98	0	---	---	---	---
10-6	0	90	---	---	---
10-98	0	90	180	240	270
12-3	0	---	---	180	---
12-8	0	90	112	203	292
12-10	0	60	155	270	295
14-4	0	45	---	---	---
14-5	0	40	92	184	273
14-9	0	15	90	180	240
14-12	0	43	90	---	---
14-15	0	17	110	155	234
14-18	0	15	90	180	270
14-19	0	30	165	315	---
14-22	0	45	---	---	---
16-8	0	54	152	180	331
16-14	0	25	78	180	240
16-23	0	158	270	---	---
16-26	0	60	---	275	338
16-95	0	25	90	153	---
16-99	0	66	156	223	340

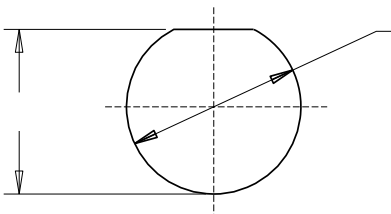
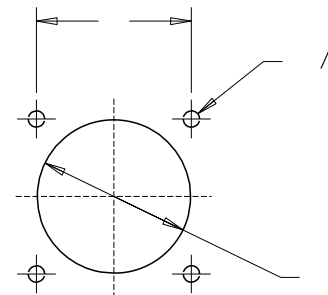
Insert	: Degrees				
	N°	W°	X°	Y°	Z°
18-8	0	180	---	---	---
18-11	0	62	119	241	340
18-30	0	180	193	285	350
18-32	0	85	138	222	265
18-85	0	45	90	180	240
18-88	0	12	45	168	202
20-16	0	238	318	333	347
20-24	0	70	145	215	290
20-27	0	72	144	216	288
20-39	0	63	144	252	333
20-41	0	45	126	225	---
20-90	0	18	60	240	270
22-12	0	---	---	---	---
22-19	0	15	90	225	308
22-21	0	16	135	175	349
22-32	0	72	145	215	288
22-34	0	62	142	218	298
22-41	0	39	135	264	---
22-55	0	30	142	226	314
22-95	0	26	180	266	---
22-96	0	19	41	---	---
24-19	0	30	165	315	---
24-27	0	45	110	140	225
24-31	0	90	225	255	---
24-61	0	90	180	270	324

Condition	Service Rating	Service Rating	Service Rating
	I	II	Shielded
Sea Level	600	1000	500 volts, dc
70,000 ft.	300	450	---

Gage	Military Part Number	Wire Range	Test Current
20	M39029/4-110 PIN	20-24	7.5 amps
	M39029/5-115 SOCKET		
16	M39029/4-111 PIN	16-20	13.0 amps
	M39029/5-116 SOCKET		
12	M39029-4-113 PIN	12-14	23 amps
	M39029-5-118 SOCKET		

Gage	Military Part Number	Size
20	M81969/14-11	20
16	M81969/14-03	16
12	M81969/14-04	12

Military Part Number
MS27488-20-2
MS27488-16-2
MS27488-12-2



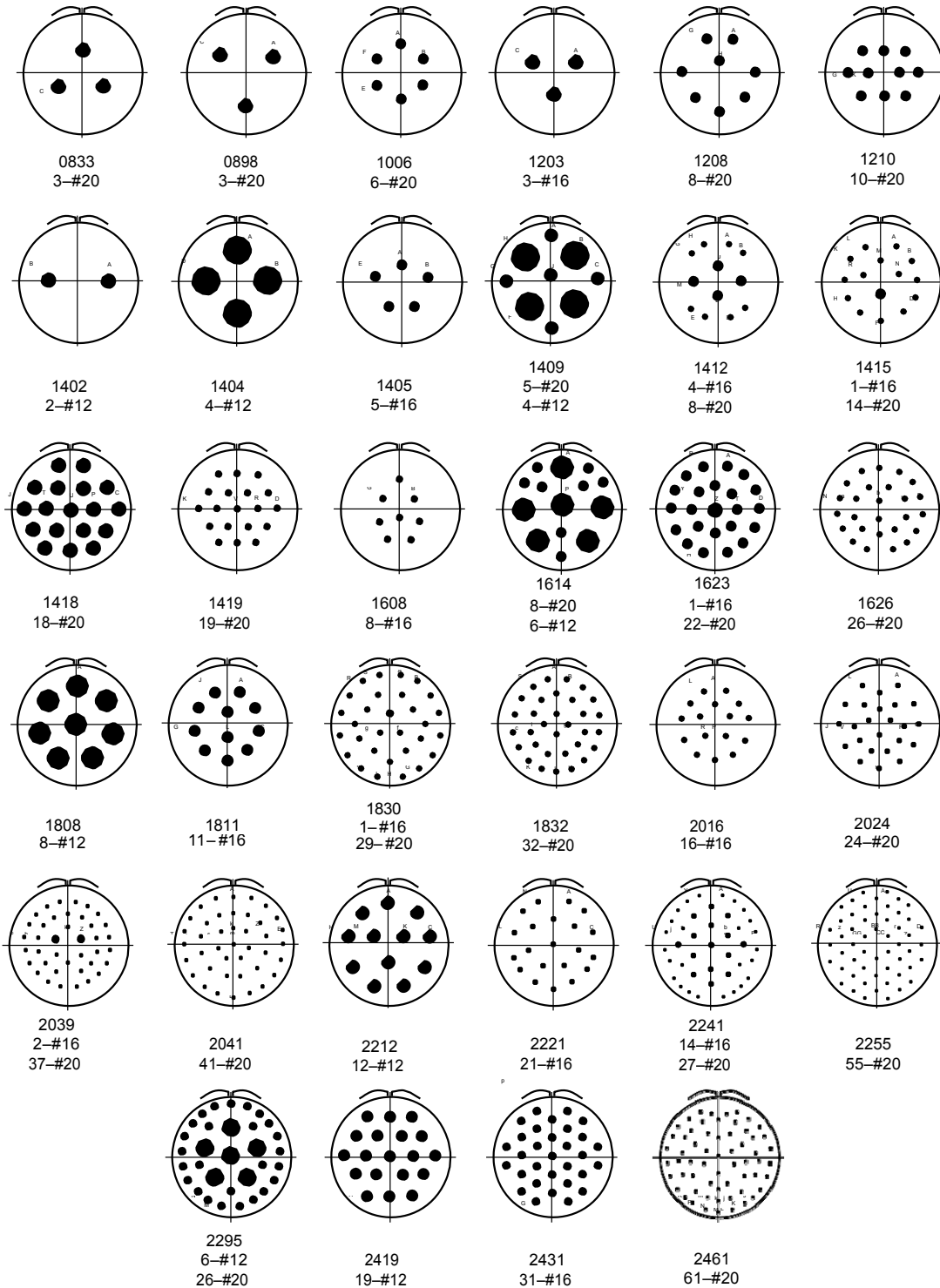
Shell Size	Jam Nut Receptacle		Square Flange Mount Receptacles			
	A ± .005	B ± .005	Narrow Flange C ± .005	Wide Flange C ± .005	DIA D ± .005	DIA E ± .005
8	0.572	0.536	0.594	0.734	0.568	0.120
10	0.697	0.661	0.719	0.812	0.685	0.120
12	0.895	0.824	0.812	0.938	0.864	0.120
14	1.010	0.948	0.906	1.031	0.989	0.120
16	1.135	1.072	0.969	1.125	1.113	0.120
18	1.260	1.197	1.062	1.203	1.238	0.120
20	1.385	1.322	1.156	1.297	1.363	0.120
22	1.510	1.447	1.250	1.375	1.488	0.120
24	1.635	1.572	1.375	1.500	1.615	0.147

MIL-DTL-26482

SERIES 2



MIL-DTL-26482 SERIES 2 INSERT PATTERNS PER MIL-STD-1669 CAVITY IDENTIFICATION SHOWN FOR FRONT FACE OF PIN AND REAR FACE OF SOCKET INSERTS



TOLERANCE
XX ± .010
.XXX ± .005
ANGLES ± 1°

TITLE
INSERT PATTERNS
MIL-DTL-26482 SERIES 2

SHEET
1 OF 1

DWG. NO.
M26482

REV
-

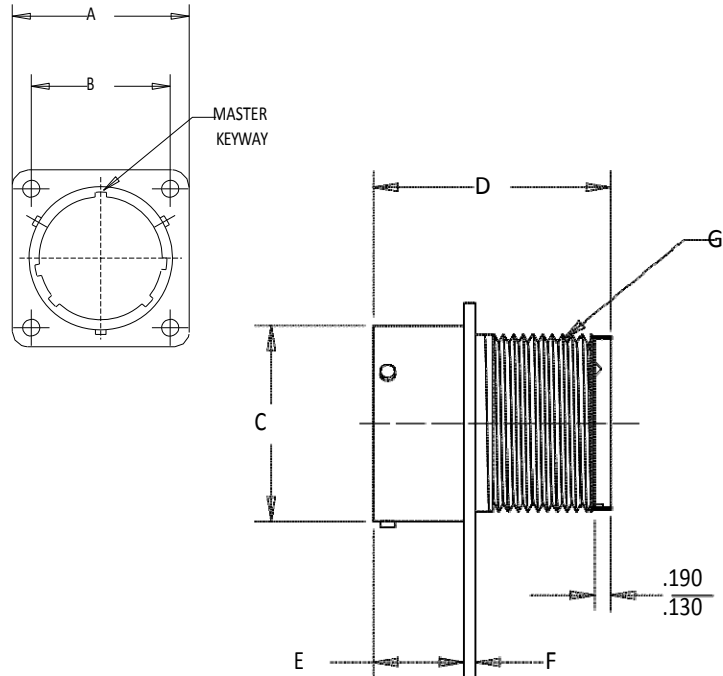
<http://www.corsairelectricalconnectors.com> (949) 833-0273

MS3470

MIL-DTL-26482 SERIES 2



MS3470 NARROW FLANGE RECEPTACLE



Shell Size	A Max.	B ± .005	C - .006	D Max.	E - .031	F ±.016	G Accessory Thread
8	0.828	0.594	0.474	1.215	0.462	0.062	1/2-20 UNF 2A
10	0.954	0.719	0.591	1.215	0.462	0.062	5/8-24 UNEF 2A
12	1.047	0.812	0.751	1.215	0.462	0.062	3/4-20 UNEF 2A
14	1.141	0.906	0.876	1.215	0.462	0.062	7/8-20 UNEF 2A
16	1.234	0.969	1.001	1.215	0.462	0.062	1-20 UNEF 2A
18	1.328	1.062	1.126	1.215	0.462	0.062	1 1/16-16 UNEF 2A
20	1.453	1.156	1.251	1.275	0.587	0.094	1 3/16-16 UNEF 2A
22	1.578	1.250	1.376	1.275	0.587	0.094	1 5/16-16 UNEF 2A
24	1.703	1.375	1.501	1.275	0.620	0.094	1 7/16-18 UNEF 2A

TOLERANCE
XX ± .010
.XXX ± .005
ANGLES ± 1°

TITLE
CONNECTOR, ELECTRICAL, NARROW WALL MTG.
RECEPTACLE ,CRIMP CONTACTS, MIL-DTL-26482 SERIES 2

SHEET
1 OF 1

DWG. NO.
MS3470

REV
-

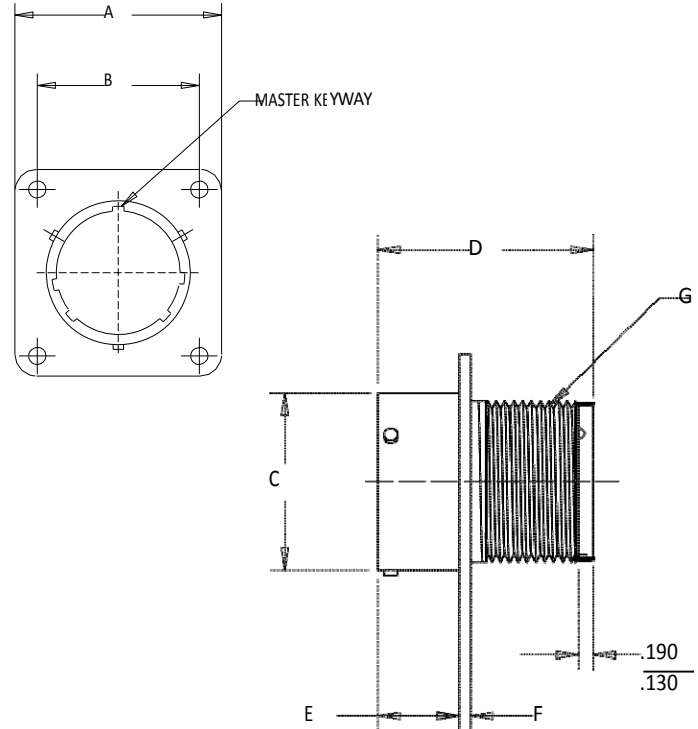
<http://www.corsairelectricalconnectors.com> (949) 833-0273

MS3472

MIL-DTL-26482 SERIES 2



MS3472 WIDE FLANGE RECEPTACLE



Shell Size	A Max.	B ± .005	C - .006	D Max.	E - .031	F ± .016	G Accessory Thread
8	1.065	0.734	0.474	1.215	0.493	0.062	1/2-20 UNF 2A
10	1.141	0.812	0.591	1.215	0.493	0.062	5/8-24 UNEF 2A
12	1.266	0.938	0.751	1.215	0.493	0.062	3/4-20 UNEF 2A
14	1.360	1.031	0.876	1.215	0.493	0.062	7/8-20 UNEF 2A
16	1.453	1.125	1.001	1.215	0.493	0.062	1-20 UNEF 2A
18	1.532	1.203	1.126	1.215	0.493	0.062	1 1/16-16 UNEF 2A
20	1.688	1.297	1.251	1.275	0.587	0.094	1 3/16-16 UNEF 2A
22	1.766	1.375	1.376	1.275	0.587	0.094	1 5/16-16 UNEF 2A
24	1.891	1.500	1.501	1.275	0.620	0.094	1 7/16-18 UNEF 2A

TOLERANCE
XX ± .010
.XXX ± .005
ANGLES ± 1°

TITLE
CONNECTOR, ELECTRICAL, WIDE WALL MTG.
RECEPTACLE ,CRIMP CONTACTS, MIL-DTL-26482 SERIES 2

SHEET
1 OF 1

DWG. NO.
MS3472

REV
-

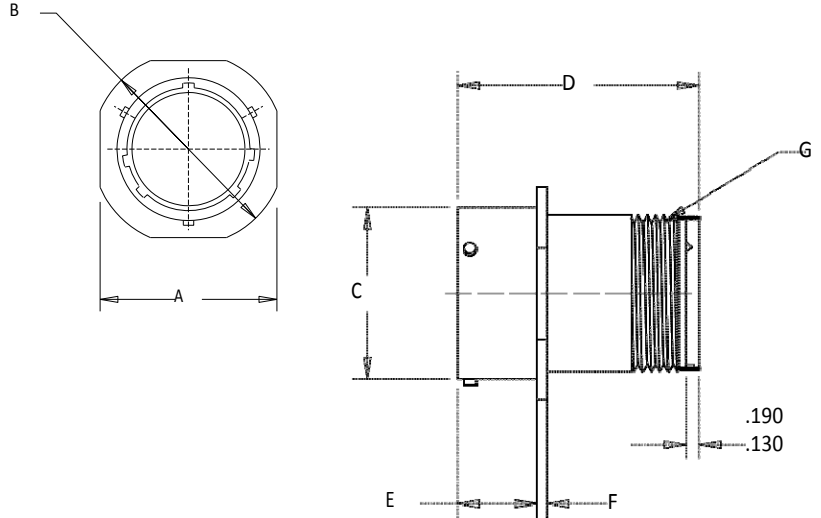
<http://www.corsairelectricalconnectors.com> (949) 833-0273

MS3471

MIL-DTL-26482 SERIES 2



MS3471 RECEPTACLE, IN LINE



Shell Size	A Max.	B + .020	C + .003	D Max.	E	F ±.016	G Accessory Thread
8	0.828	0.938	0.471	1.405	.462/.431	0.062	1/2-20 UNF-2A
10	0.954	1.062	0.588	1.405	.462/.431	0.062	5/8-24 UNEF-2A
12	1.047	1.156	0.748	1.405	.462/.431	0.062	3/4-20 UNEF-2A
14	1.141	1.250	0.873	1.405	.462/.431	0.062	7/8-20 UNEF-2A
16	1.234	1.344	0.998	1.405	.462/.431	0.062	1-20 UNEF-2A
18	1.328	1.438	1.123	1.405	.462/.431	0.062	1 1/16-18 UNEF-2A
20	1.453	1.562	1.248	1.465	.587/.556	0.094	1 3/16-18 UNEF-2A
22	1.578	1.688	1.373	1.465	.587/.556	0.094	1 5/16-18 UNEF-2A
24	1.703	1.812	1.498	1.465	.620/.589	0.094	1 7/16-18 UNEF-2A

TOLERANCE
XX ± .010
.XXX ± .005
ANGLES ± 1°

TITLE
CONNECTOR, ELECTRICAL, IN LINE
RECEPTACLE ,CRIMP CONTACTS, MIL-DTL-26482 SERIES 2

SHEET
1 OF 1

DWG. NO.
MS3471

REV
-

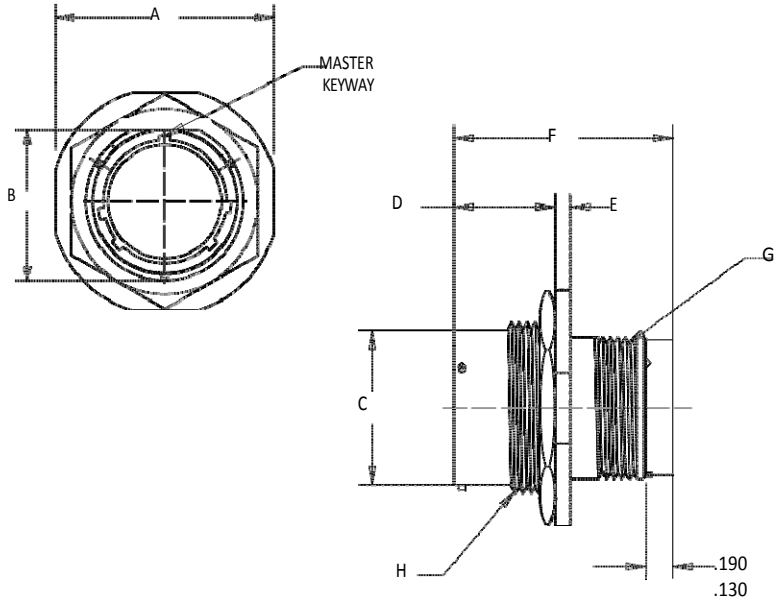
<http://www.corsairelectricalconnectors.com> (949) 833-0273

MS3474

MIL-DTL-26482 SERIES 2



MS3474 JAM NUT RECEPTACLE



Shell Size	A Max.	B ± .005	C + .006	D	E	F Max.	G Accessory Thread	H Mounting Thread
8	0.954	0.525	0.468	0.707 0.658	0.113 0.086	1.405	1/2-20 UNF-2A	9/16-24 UNEF-2A
10	1.078	0.650	0.585			1.405	5/8-24 UNEF-2A	11/16-24 UNEF-2A
12	1.266	0.813	0.745			1.405	3/4-20 UNEF-2A	7/8-20 UNEF-2A
14	1.391	0.937	0.870			1.405	7/8-20 UNEF-2A	1-20 UNEF-2A
16	1.516	1.061	0.995			1.405	1-20 UNEF-2A	1 1/8-18 UNEF-2A
18	1.641	1.186	1.220			1.405	1 1/16-18 UNEF-2A	1 1/4-18 UNEF-2A
20	1.828	1.311	1.245	0.772 0.721	0.148 0.096	1.465	1 3/16-18 UNEF-2A	1 3/8-18 UNEF-2A
22	1.954	1.436	1.370			1.465	1 5/16-18 UNEF-2A	1 1/2-18 UNEF-2A
24	2.078	1.561	1.495			1.465	1 7/16-18 UNEF-2A	1 5/8-18 UNEF-2A

TOLERANCE
XX ± .010
.XXX ± .005
ANGLES ± 1°

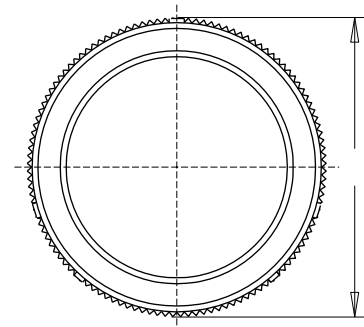
TITLE
CONNECTOR, ELECTRICAL, JAM NUT WALL MTG.
RECEPTACLE ,CRIMP CONTACTS, MIL-DTL-26482 SERIES 2

SHEET
1 OF 1

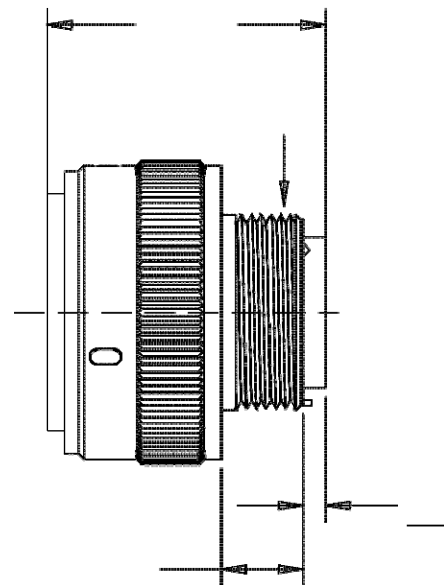
DWG. NO.
MS3474

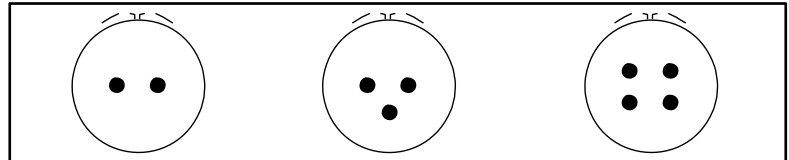
REV
-

<http://www.corsairelectricalconnectors.com> (949) 833-0273

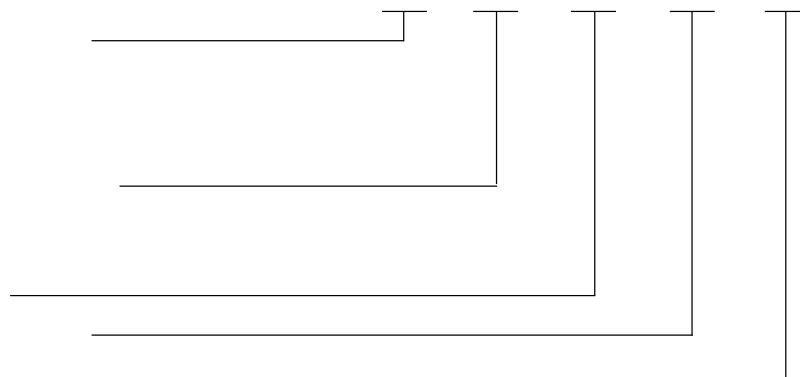


Shell Size	A Max.	B Accessory Thread
8	0.782	1/2-20 UNEF-2A
10	0.926	5/8-24 UNEF-2A
12	1.043	3/4-20 UNEF-2A
14	1.183	7/8-20 UNEF-2A
16	1.305	1-20 UNEF-2A
18	1.391	1 1/16-18 UNEF-2A
20	1.531	1 3/16-18 UNEF-2A
22	1.656	1 5/16-18 UNEF-2A
24	1.777	1 7/16-18 UNEF-2A





Contact Part Number	Crimp Tool	Turret	Insertion/Removal Tool
SOCKET: 244-2001-009	M22520/1-01 or M22520/2-02	M22520/1-02 or M22520/2-02	M81969/14-01
PIN: 264-2001-009			



AS81790



MS 90362 (SIX PIN) GENERAL SPECIFICATIONS

Contacts, Power	Thread, 3/8-24UNF-2A Silver plated Copper Alloy	Contacts, Control	Thread, 10-32UNF-2A Silver plated Copper Alloy
Nut	MS35650-3385T	Nut	MS35650-305T
Flat Washer	AN961-616T	Flat Washer	AN961-10T
Lock Washer	MS35335-91	Lock Washer	MS35335-88
Receptacle Base Molded Polyester / Glass			

MS 3506-1 (THREE PIN) GENERAL SPECIFICATIONS

Contacts, Power	Thread, 3/8-24UNF-2A Silver plated Copper Alloy	Contacts, Control	Thread, 10-32UNF-2A Silver plated Copper Alloy
Nut	MS35650-3385T	Nut	MS35650-305T
Flat Washer	AN961-616T	Flat Washer	AN961-10T
Lock Washer	MS35335-91	Lock Washer	MS35335-88
Receptacle Base Molded Polyester / Glass			
Shield Aluminum, Epoxy Coated, permanently attached			

ORDERING NOMENCLATURE

EXTERNAL AIRCRAFT RECEPTACLES AND ASSOCIATED COMPONENTS MILITARY AND CORSAIR PART NUMBER CROSS REFERENCE

Description	Military Part No.	Corsair Part No.	Remarks
Connector, Receptacle, External Electric Power Aircraft, 115/200 volt, 400 Hertz, (six pin)	MS 90362-1	CJ01 GP6RP-1	with Shield only
	MS 90362-3	CJ01 GP6RP	basic receptacle only
	MS 90362-4	CJ01 GP6RP-4	with Shield and Cover
Shield (for six pin)	MS 17845-1	014-1627-001	
Cover (for six pin)	MS 3505-1	411-1600-001	

Description	Military Part No.	Corsair Part No.	Remarks
Connector, Receptacle, External Electrical Power, Aircraft, 28 VDC Operating power, (three pin)	MS 3506-1 N/A	CJ01GP3RP CJ01GP3RP-1	Receptacle with shield Receptacle with no shield, (with no applicable military part number)

TOLERANCE XX ± .010 .XXX ± .005 ANGLES ± 1°	TITLE CONNECTOR, ELECTRICAL, POWER RECEPTACLE ,AS81790	SHEET	DWG. NO.	REV
		1 OF 5	AS81790	-
http://www.corsairelectricalconnectors.com (949) 833-0273				

AS81790



MS 90362 SERIES

CONNECTOR, RECEPTACLE, EXTERNAL ELECTRIC POWER, AIRCRAFT, 115/200 VOLT, 400 HERTZ, SIX PIN

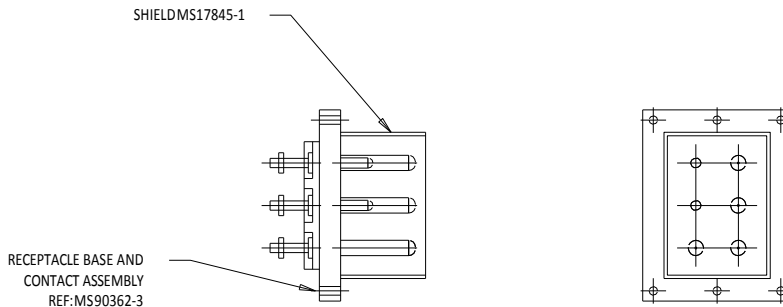
MS 90362-1 Six pin receptacle with Shield (MS 17845-1)

MS 90362-3 Six pin receptacle only

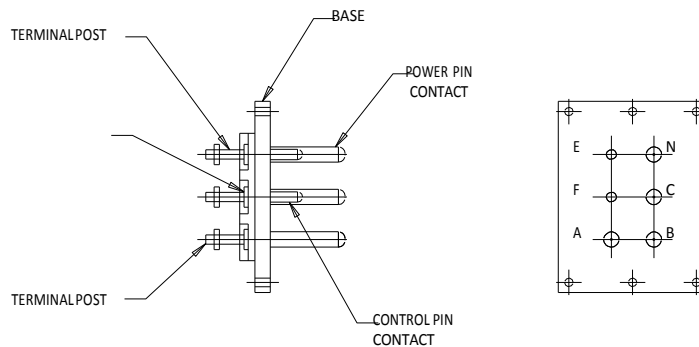
MS 90362-4 Six pin receptacle with Shield (MS 17845-1) and Cover (MS 3505-1)



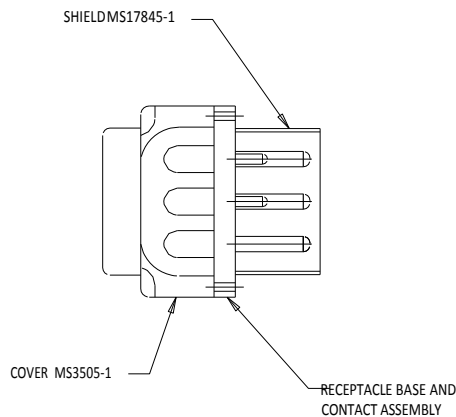
MS 90362-1 Six Pin Receptacle with Shield (MS 17845-1)



MS 90362-3 Six Pin Receptacle Only



MS 90362-4 Six Pin Receptacle with Shield (MS 17845-1) and Cover (MS 3505-1)



TOLERANCE
XX ± .010
.XXX ± .005
ANGLES ± 1°

TITLE
CONNECTOR, ELECTRICAL, POWER
RECEPTACLE, AS81790

SHEET
2 OF 5

DWG. NO.
AS81790

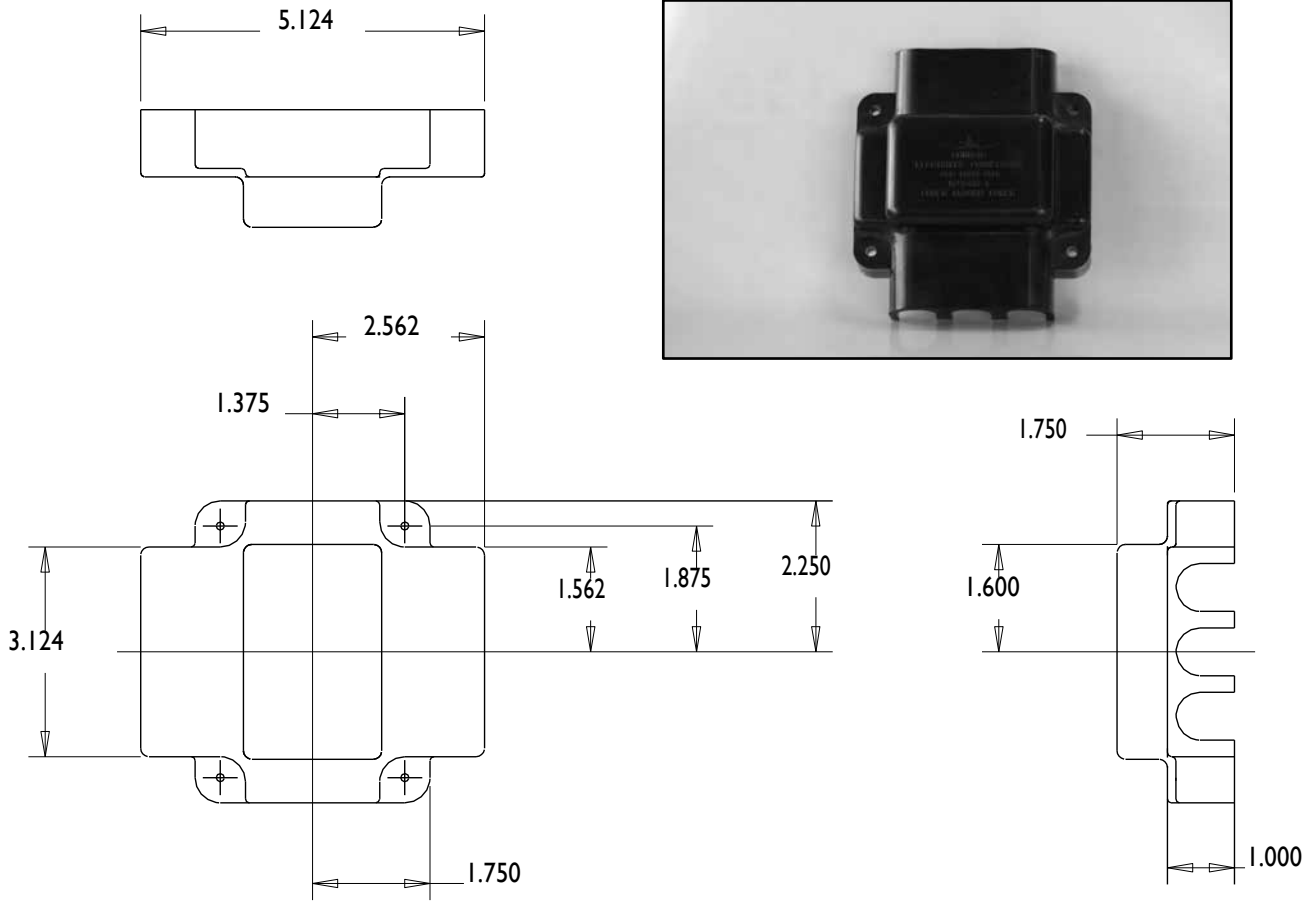
REV
-

<http://www.corsairelectricalconnectors.com> (949) 833-0273

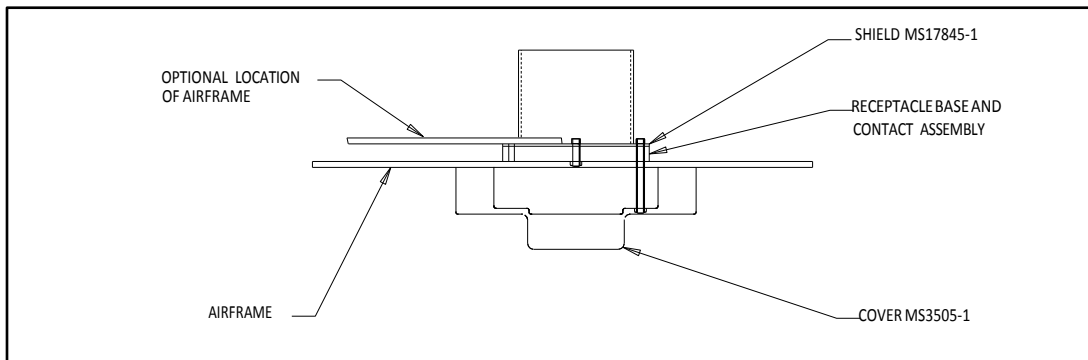
AS81790



MS 3505-1 COVER FOR USE WITH MS 90362 EXTERNAL POWER RECEPTACLE



TYPICAL INSTALLATION



TOLERANCE
XX ± .010
.XXX ± .005
ANGLES ± 1°

TITLE
CONNECTOR, ELECTRICAL, POWER
RECEPTACLE ,AS81790

SHEET
3 OF 5

DWG. NO.
AS81790

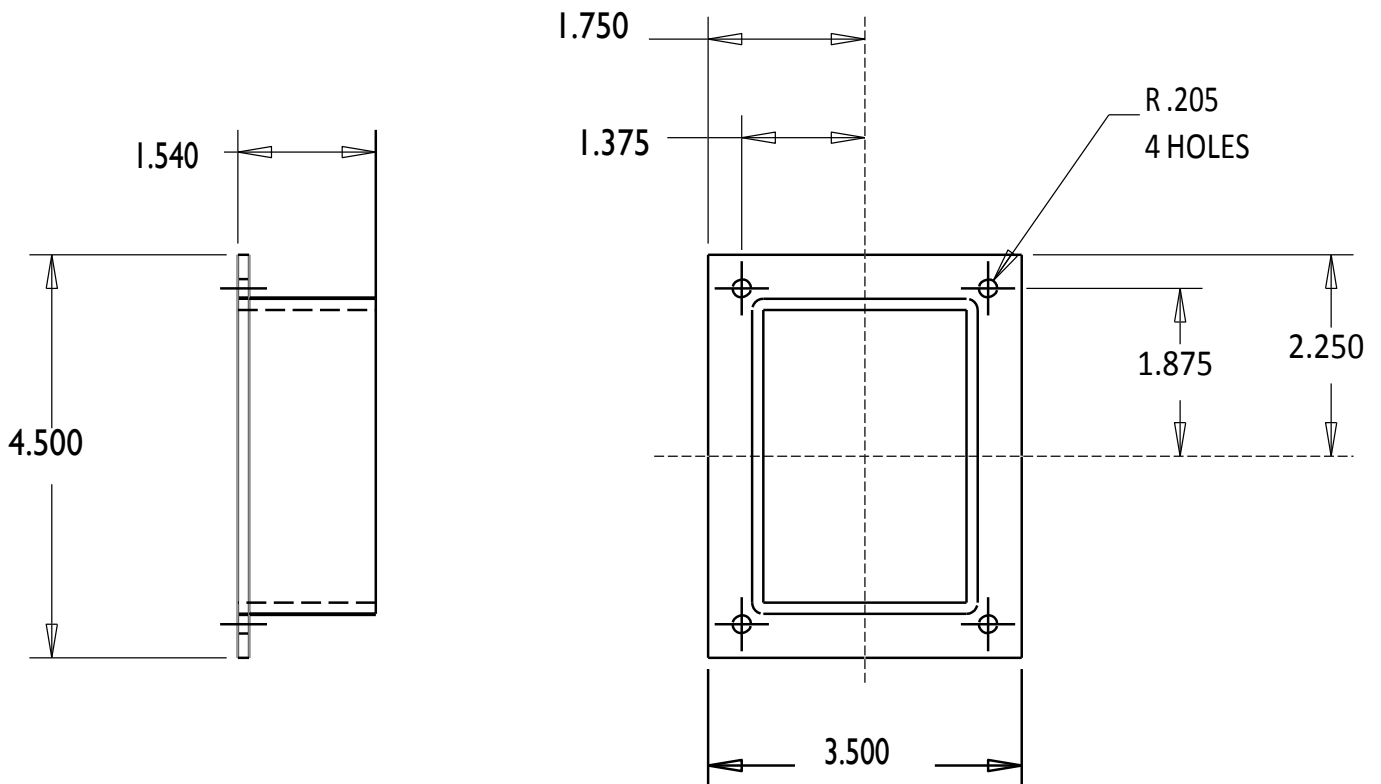
REV
-

<http://www.corsairelectricalconnectors.com> (949) 833-0273

AS81790



MS17845-1 SHIELD
FOR USE WITH MS 90362 EXTERNAL POWER RECEPTACLE



TOLERANCE
 XX ± .010
 .XXX ± .005
 ANGLES ± 1°

TITLE
 CONNECTOR, ELECTRICAL, POWER
 RECEPTACLE ,AS81790

SHEET
 4 OF 5

DWG. NO.
 AS81790

REV
 -

<http://www.corsairelectricalconnectors.com> (949) 833-0273

AS81790

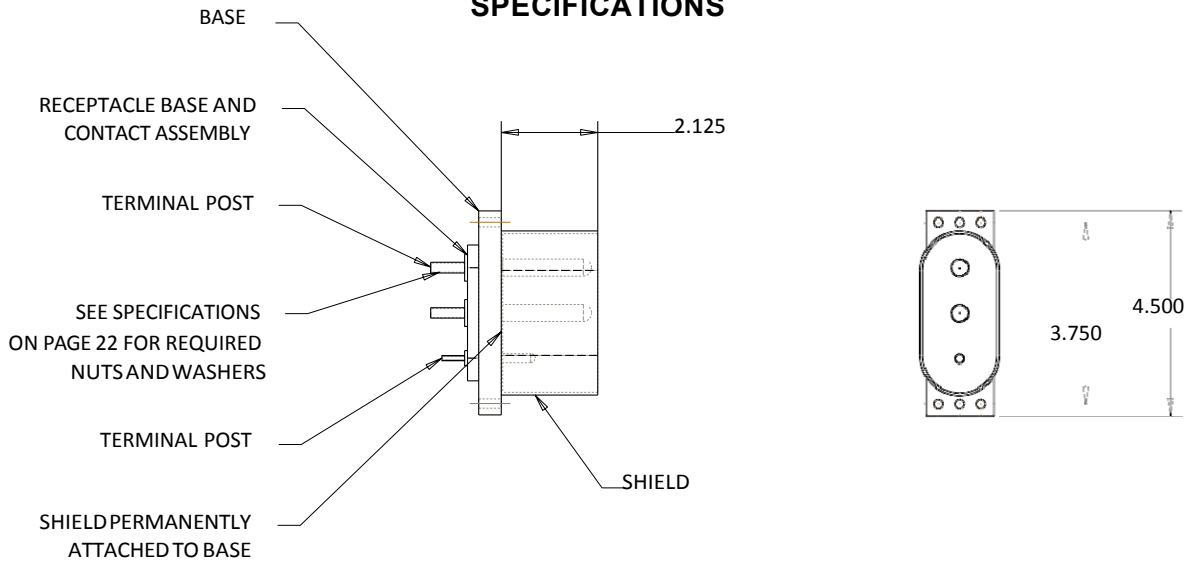


MS 3506-1 CONNECTOR, RECEPTACLE, EXTERNAL ELECTRICAL POWER, AIRCRAFT, 28 VDC, THREE PIN

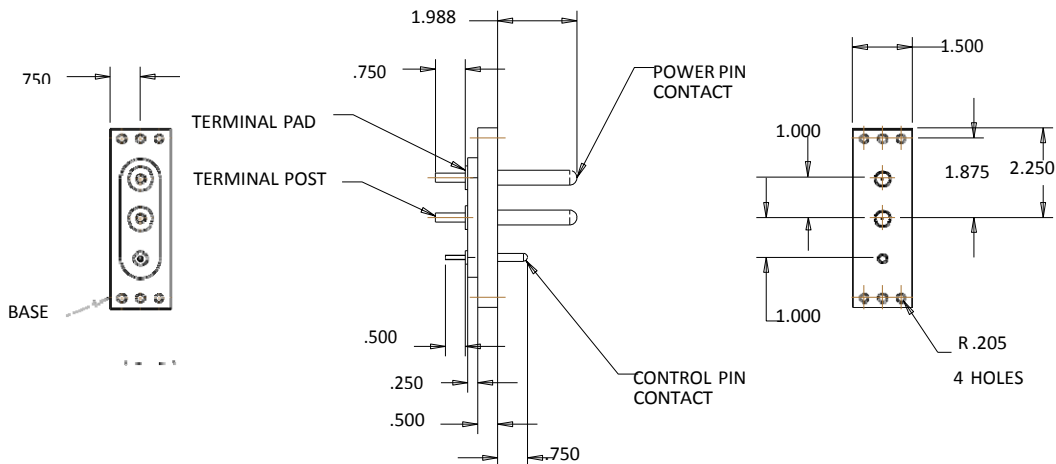
MS 3506-1 Three pin receptacle, with Shield permanently attached



SPECIFICATIONS



DETAILS OF BASE AND CONTACT ASSEMBLY



TOLERANCE
XX ± .010
.XXX ± .005
ANGLES ± 1°

TITLE
CONNECTOR, ELECTRICAL, POWER
RECEPTACLE, AS81790

SHEET
5 OF 5

DWG. NO.
AS81790

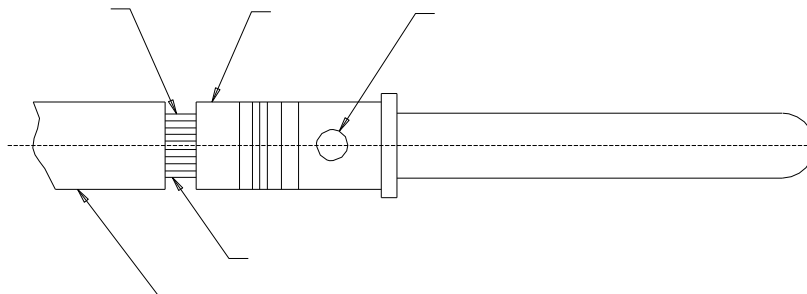
REV
-

<http://www.corsairelectricalconnectors.com> (949) 833-0273

Contact Size	DC Test Current	MIL-C-39029 (P/N = M39029) Contact Slash Sheet Number-PIN		Wire Range	Insulation Sealing Range ϕ	Sealing Plugs MS27488
		PIN (Color Code)	Socket			
16S	13 AMPS	N/A	/30-217 RED/BRN/BLU	20-16 AWG	.053-.103	-16-3 (BLU)
16	13 AMPS	/29-212 RED/BRN/RED	/30-218 RED/BRN/GRY	20-16 AWG	.053-.103	-16-3 (BLU)
12	23 AMPS	/29-213 RED/BRN/ORN	/30-219 RED/BRN/WHT	14-12 AWG	.085-.158	-12-3 (YEL)
8	46 AMPS	/29-214 RED/BRN/YEL	/30-220 RED/RED/BLK	10-8* AWG	.132-.255	-8-3 (RED)
4	80 AMPS	/29-215 RED/BRN/GRN	/30-221 RED/RED/BRN	6-4* AWG	.237-.370	-4-3 (BLU)
0	150 AMPS	/29-216 RED/BRN/BLU	/30-222 RED/RED/RED	2-0* AWG	.360-.550	-0-3 (YEL)

Contact Size	Crimping Tool	Positioner	Die	Locator	Extraction Tool Metal	Insertion Removal Tool Plastic
16S	M22520/1-01	M22520/1-02	N/A	N/A	M81969/8-208	M81969/14-03
16	M22520/1-01	M22520/1-02	N/A	N/A	M81969/8-208	M81969/14-03
12	M22520/1-01	M22520/1-02	N/A	N/A	M81969/8-210	M81969/14-04
8	M22520/23-01	N/A*	M22520/23-02	M22520/23-09	M81969/15-01	M81969/14-06
4	M22520/23-01	N/A*	M22520/23-03	M22520/23-11	M81969/15-02	M81969/14-07
0	M22520/23-01	N/A*	M22520/23-04	M22520/23-13	M81969/15-03	M81969/14-08

Contact Size	DC Test Current	MIL-C-39029 (P/N = M39029) Contact Slash Sheet Number-PIN		Wire Range	Insulation Sealing Range ϕ	Sealing Plugs MS27488
		PIN (Color Code)	Socket			
20	7.5 AMPS	/4-110 BRN/BRN/BLK	/5-115 BRN/BRN/GRN	24-20 AWG	.040 - .083	-20-2 (RED)
16	13 AMPS	/4-111 BRN/BRN/BRN	/5-116 BRN/BRN/BLU	20-16 AWG	.053 - .103	-16-2 (GRN)
12	23 AMPS	/4-113 BRN/BRN/ORN	/5-118 BRN/BRN/GRY	14-12 AWG	.097 - .158	-12-2 (ORN)



MIL-DTL-5015

SERIES II



PIN = M39029/44

Crimp Barrel				
Contact Size	Wire Size	Wire Range AWG	AS39029 MIL-STD P/N	DESCRIPTION
16	22	22, 24 & 26	M39029/44-287	CONT, PIN, Sz16-22, RED/GRY/VIO
16	16	16, 18 & 20	M39029/44-288	CONT, PIN, Sz16-16, RED/GRY/GRY
12	16	16, 18 & 20	M39029/44-289	CONT, PIN, Sz12-16, RED/GRY/WHT
12	12	12 & 14	M39029/44-290	CONT, PIN, Sz12-12, RED/WHT/BLK
8	8	8, 10 <u>1/</u>	M39029/44-291	CONTACT, PIN, Sz 8, RED/WHT/BRN
4	4	4 & 6 <u>1/</u>	M39029/44-292	CONTACT, PIN, Sz 4, RED/WHT/RED
0	0	0 & 2 <u>1/</u>	M39029/44-293	CONTACT, PIN, Sz 0, RED/WHT/ORN

SOCKET = M39029/45

Crimp Barrel				
Contact Size	Wire Size	Wire Range AWG	AS39029 MIL-STD P/N	DESCRIPTION
16	22	22, 24 & 26	M39029/45-294	CONT, SKT, Sz16-22, RED/WHT/YEL
16	16	16, 18 & 20	M39029/45-295	CONT, SKT, Sz16-16, RED/WHT/GRN
12	16	16, 18 & 20	M39029/45-296	CONT, SKT, Sz12-16, RED/WHT/BLU
12	12	12 & 14	M39029/45-297	CONT, SKT, Sz12-12, RED/WHT/VIO
8	8	8, 10 <u>1/</u>	M39029/45-298	CONTACT, SKT, Sz 8, RED/WHT/GRY
4	4	4 & 6 <u>1/</u>	M39029/45-299	CONTACT, SKT, Sz 4, RED/WHT/WHT
0	0	0 & 2 <u>1/</u>	M39029/45-300	CONTACT, SKT, Sz 0, ORN/BLK/BLK

Note: 1/ Requires use of a (AS39029/112) MS3348 Conductive Bushing prior to Crimping

SEALING PLUGS MS27488

Contact Size	MIL-STD P/N	DESCRIPTION
16	MS27488-16-3	SEAL PLUG, Sz16 AWG, BLUE
12	MS27488-12-3	SEAL PLUG, Sz12 AWG, YELLOW
8	MS27488-8-3	SEAL PLUG, Sz 8 AWG, RED
4	MS27488-4-3	SEAL PLUG, Sz 4 AWG, BLUE
0	MS27488-0-3	SEAL PLUG, Sz 0 AWG, YELLOW

TOOLS

Contact Size	MS INSERTION	MS EXTRACTION	MS CRIMP	
	TOOL P/N	TOOL P/N	TOOL P/N	POSITIONER P/N
16	M81969/17-01	M81969/19-01	M22520/1-01	M22520/1-02 BLU
12	M81969/17-02	M81969/19-02	M22520/1-01	M22520/1-02 YEL
8 <u>2/</u>	M81969/17-06	M81969/19-03	M22520/23-02	M22520/23-09
4 <u>2/</u>	M81969/17-07	M81969/19-04	M22520/23-04	M22520/23-11
0 <u>2/</u>	M81969/17-08	M81969/19-05	M22520/23-05	M22520/23-13

Note: 2/ Requires use of a M22520/23/01 Power Crimp Tool for Contact Sizes #8, #4 & #0

TOLERANCE
XX ± .010
.XXX ± .005
ANGLES ± 1°

TITLE
MIL-DTL-5015 SERIES II,
CONTACT AND ASSEMBLY TOOLING INFORMATION

SHEET
1 OF 1

DWG. NO.
M5015

REV
-

<http://www.corsairelectricalconnectors.com> (949) 833-0273

MIL-DTL-38999

SERIES I, II & III



**ADDITIONAL CONTACT INFORMATION
FOR MIL-DTL-38999 CONNECTORS**

Contact Size	P/S	Wire Range AWG	AS39029/ MIL-SPEC P/N
Series I & III Size 22D	PIN	22-28	AS39029/58-360
	SOCKET		AS39029/56-348
Series I & III Size 20	PIN	20-24	AS39029/58-363
	SOCKET		AS39029/56-351
Series I & III Size 16	PIN	16-20	AS39029/58-364
	SOCKET		AS39029/56-352
Series I & III Size 12	PIN	12-14	AS39029/58-365
	SOCKET		AS39029/56-353
Series I & III Size 10	PIN	10-12	AS39029/58-528
	SOCKET		AS39029/56-527
Series I & III Size 8 (COAX)	PIN	10-8	AS39029/60-367
	SOCKET		AS39029/59-366
Series II Size 22D	PIN	22-28	AS39029/58-360
	SOCKET		AS39029/56-354
Series II Size 20	PIN	20-24	AS39029/58-363
	SOCKET		AS39029/56-357
Series II Size 16	PIN	16-20	AS39029/58-364
	SOCKET		AS39029/56-354
Series II Size 12	PIN	12-14	AS39029/58-365
	SOCKET		AS39029/56-359

TOLERANCE
XX ± .010
.XXX ± .005
ANGLES ± 1°

TITLE
ADDITIONAL CONTACT AND ASSEMBLY TOOLING
INFORMATION, MIL-DTL-38999

SHEET
1 OF 2

DWG. NO.
MIL-DTL-38999

REV
-

<http://www.corsairelectricalconnectors.com> (949) 833-0273

MIL-DTL-38999

SERIES I, II & III



CRIMP TOOLS AND INSERTION/REMOVAL TOOLS

Contact Size	Plastic Tools Insert/Removal	M22520/ Crimp Tool	M22520/ Positioner
22D I & III	M81969/14-01 GREEN/WHITE	2-01	2-07
22D II	M81969/14-01 GREEN/WHITE	2-01	2-06
20	M81969/14-10 RED/ORANGE	1-01 2-0	1-07 2-10
16	M81969/14-03 BLUE/WHITE	1-01	1-04
12	M81969/14-04 YELLOW/WHITE	1-01	1-04
10	M81969/14-05 GRAY/WHITE	DMC 1716P-1	N/A
* 8	M81969/14-12 NA/GREEN	23-04	1-04 2-10

*PNEUMATIC CRIMPING MACHINE REQUIRED

SEALING PLUGS MS27488

Contact Size	MIL STD P/N	Color key
22D	MS27488-22-2	BLACK
20	MS27488-20-2	RED
16	MS27488-16-2	BLUE
12	MS27488-12-2	YELLOW
10	M85049/81-10	GREEN
8	MS27488-8-2	RED

TOLERANCE
XX ± .010
.XXX ± .005
ANGLES ± 1°

TITLE
ADDITIONAL CONTACT AND ASSEMBLY TOOLING
INFORMATION, MIL-DTL-38999

SHEET
2 OF 2

DWG. NO.
MIL-DTL-38999

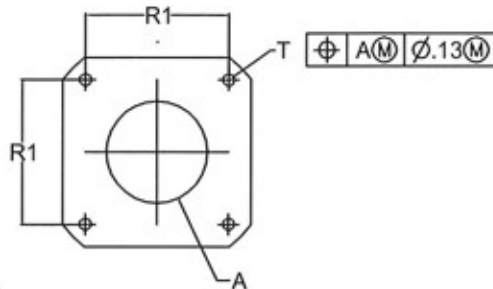
REV

-

<http://www.corsairelectricalconnectors.com> (949) 833-0273

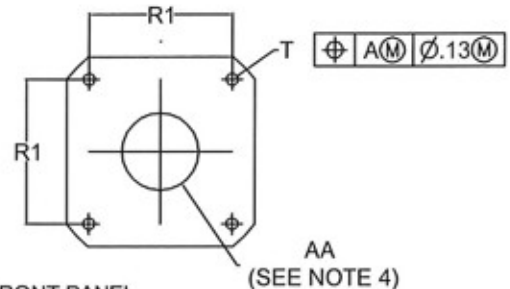
MIL-DTL-38999

SERIES I, II & III



BACK PANEL
MOUNTING SERIES
I, III, AND IV

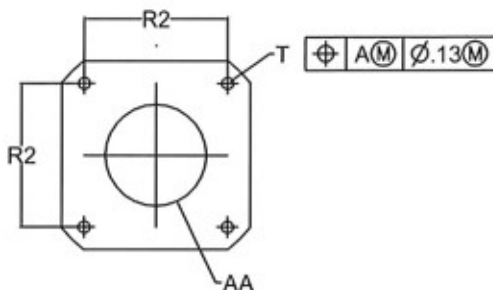
TYPE A



FRONT PANEL
MOUNTING SERIES
I, III, AND IV

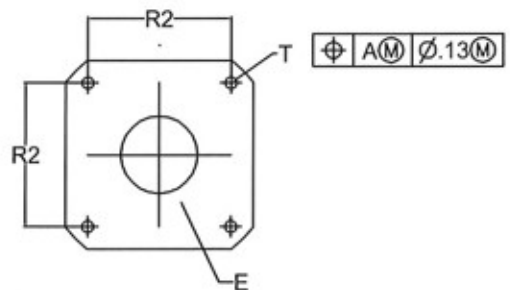
AA
(SEE NOTE 4)

TYPE B



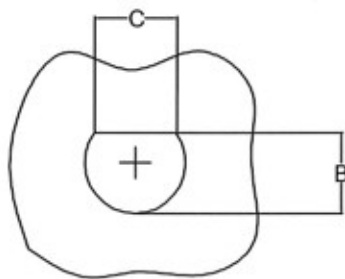
FRONT PANEL
MOUNTING
SERIES II AND III

TYPE C



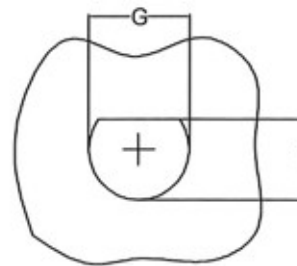
BACK PANEL
MOUNTING
SERIES III

TYPE D



JAM NUT MOUNTING SERIES I AND III
CRIMP AND HERMETIC, AND SERIES
IV HERMETIC

TYPE E



JAM NUT MOUNTING SERIES II
CRIMP AND HERMETIC, AND
SERIES IV CRIMP

TYPE F

TOLERANCE
XX ± .010
.XXX ± .005
ANGLES ± 1°

TITLE
RECOMMENDED PANEL DIMENSIONS, THREAD DETAILS,
SERIES I, II AND III, MIL-DTL-38999

SHEET
1 OF 2

DWG. NO.
D38999

REV
-

<http://www.corsairelectricalconnectors.com> (949) 833-0273

MIL-DTL-38999

SERIES I, II & III



SHELL SIZE	A DIA MIN	AA DIA MIN	B +.00 -.25 (SEE NOTE 2)	C +.25 -.00	E DIA MIN	F +.00 -.25	G +.25 -.00	R1	R2	T DIA ±.13
8-9	.656 (16.66)	.516 (13.11)	.657 (16.70)	.693 (17.6)	.557 (14.15)	.830 (21.08)	.885 (22.48)	.719 (18.26)	.594 (15.09)	.128 (3.25)
10-11	.796 (20.22)	.625 (15.88)	.771 (19.59)	.825 (20.96)	.682 (17.32)	.955 (24.26)	1.010 (25.65)	.812 (20.62)	.719 (18.26)	.128 (3.25)
12-13	.922 (23.42)	.750 (19.05)	.955 (24.26)	1.010 (25.65)	.854 (21.69)	1.085 (27.56)	1.135 (28.83)	.906 (23.01)	.812 (20.62)	.128 (3.25)
14-15	1.047 (26.59)	.906 (23.01)	1.085 (27.56)	1.135 (28.83)	.979 (24.87)	1.210 (30.73)	1.260 (32.01)	.969 (24.61)	.906 (23.01)	.128 (3.25)
16-17	1.219 (30.96)	1.016 (25.81)	1.210 (30.73)	32.01 (1.260)	1.104 (28.04)	1.335 (33.91)	1.385 (35.18)	1.062 (26.97)	.969 (24.61)	.128 (3.25)
18-19	1.297 (32.94)	1.141 (28.98)	1.335 (33.91)	1.385 (35.18)	1.229 (31.22)	1.460 (37.08)	1.510 (38.35)	1.156 (29.36)	1.062 (26.97)	.128 (3.25)
20-21	1.422 (36.12)	1.266 (32.16)	1.460 (37.08)	1.510 (38.35)	1.354 (34.39)	1.585 (40.26)	1.635 (41.53)	1.250 (31.75)	1.156 (29.36)	.128 (3.25)
22-23	1.547 (39.29)	1.375 (34.93)	1.585 (40.26)	1.635 (41.53)	1.476 (37.57)	1.709 (43.42)	1.760 (44.70)	1.375 (34.93)	1.250 (31.75)	.154 (3.91)
24-25	1.672 (42.47)	1.484 (37.69)	1.710 (43.43)	1.760 (44.70)	1.604 (40.74)	1.835 (46.61)	1.885 (47.88)	1.500 (38.10)	1.375 (34.93)	.150 (3.81)

NOTES

1. DIMENSIONS ARE IN INCHES. MILLIMETER ARE IN PARENTHESES AND GIVEN FOR INFORMATION ONLY.
2. "AA" MINIMUM IS RECOMMENDED CLEARANCE FOR CONNECTORS LESS ACCESSORIES AND HAVING SKIRT DIAMETERS NO LARGER THAN METRIC THREAD ILLUSTRATED ON SERIES III AND IV CONNECTOR ACCESSORY INTERFACE DIMENSIONS.
3. FOR DIMENSION B, SHELL SIZE ONLY, TOLERANCE IS +.004 / - .004 INCHES (+.10 / -.10 MM)

TOLERANCE
XX ± .010
.XXX ± .005
ANGLES ± 1°

TITLE
RECOMMENDED PANEL DIMENSIONS, THREAD DETAILS,
SERIES I, II AND III, MIL-DTL-38999

SHEET
2 OF 2

DWG. NO.
D38999

REV

-

<http://www.corsairelectricalconnectors.com> (949) 833-0273

MANUFACTURING PROCESS FINISHES



MIL-DTL-5015, MIL-DTL-26482 & AS81790

APPLICABLE MANUFACTURING PROCESS FINISHES

- CLASS W** **Cadmium (Olive Drab) over Nickel Plate**, used for 500 hour salt spray requirements. Cadmium plate per QQ-P416 Type II, Class 2. Color: Olive Drab (Electrically conductive) over Electroless Nickel per MIL-C-26074, Class 4, Grade B. (Total thickness to be .0010" minimum. Bake after nickel plate 1 hour @ 375 +/- 10 degrees F. Bake after cadmium plate and chromed treatment for 1 hour @ 375 +/- 10 degrees F.
- CLASS L** **Nickel Plate (Electroless)** Electroless Nickel per MIL-C-20674, Class 3 or 4, Grade B. Total thickness to be .0010" minimum.
- CLASS A** **Hard Black Anodize (Aluminum parts only)** Anodize (non-conductive) per MIL-A-2685, Type III, Class 2, .0004" minimum for military, and .0010" for industrial.
- CLASS G/KS/LS** **Passivate (Stainless Steel parts only)** Passivate per QQ-P-35
- CLASS N** **Electrodeposited Nickel Finish (Stainless Steel parts only)**
Electrodeposited nickel per QQ-N-290
- CLASS KT** **Cadmium (Olive Drab)** per QQ-P-416, Type II, Class 2.
- SHIELDS** **Chemically Surface Treated (Green)** per MIL-C-5541, Class 2, over Epoxy Primer Coat per MIL-P-85582

TOLERANCE XX ± .010 .XXX ± .005 ANGLES ± 1°	TITLE MANUFACTURING PROCESS FINISHES	SHEET 1 OF 1	DWG. NO. M50 15/M26482/AS81790	REV -
http://www.corsairelectricalconnectors.com (949) 833-0273				

MANUFACTURING PROCESS FINISHES



MIL-DTL-38999 Series I and II

- FINISH A** Silver to Light Iridescent yellow color Cadmium Plate over Nickel (conductive)
- FINISH B** Olive-drab cadmium plate over a suitable underplate (conductive) -65°C to +175°C
- FINISH C** Anodic (nonconductive) -65°C to +200°C
- FINISH F** Electroless nickel coating (conductive) -65°C to +200°C
- FINISH Z** Zinc nickel (conductive) -65°C to +175°C

MIL-DTL-38999 Series III

- CLASS C** Anodic (nonconductive) -65°C to +200°C
- CLASS F** Electroless nickel coating (conductive) -65°C to +200°C
- CLASS K** Corrosion resistant steel, passivated (conductive) -65°C to +200°C
- CLASS L** Corrosion resistant steel, Electrodeposited nickel plating (conductive) -65°C to +200°C
- CLASS S** Corrosion resistant steel, Electrodeposited nickel plating (conductive) -65°C to +200°C
- CLASS T** Nickel flouorocarbon polymer over a suitable underplate (conductive) -65°C to +175°C
- CLASS W** Olive-drab cadmium plate over a suitable underplate (conductive) -65°C to +175°C
- CLASS Z** Zinc Nickel over a suitable underplate (conductive) -65°C to +175°C

Note: 175°C is the maximum temperature rating of a shrink sleeve used with some size 8 twinax contacts. The temperature rating of a connector rated at 200°C maximum will be reduced to 175°C when it utilizes shrink sleeves with size 8 SAE-AS 39029/90, /91, /113, or /114 pin or socket contacts

TOLERANCE XX ± .010 .XXX ± .005 ANGLES ± 1°	TITLE MANUFACTURING PROCESS FINISHES	SHEET 1 OF 1	DWG. NO. MIL-DTL-38999	REV -
		http://www.corsairelectricalconnectors.com (949) 833-0273		



CORSAIR



ELECTRICAL CONNECTORS



CORSAIR ELECTRICAL CONNECTORS
17100 Murphy Ave. | Irvine, California 92614
Phone: 949-833-0273 | Fax: 949-833-0280 | Web: www.corsairelectricalconnectors.com