

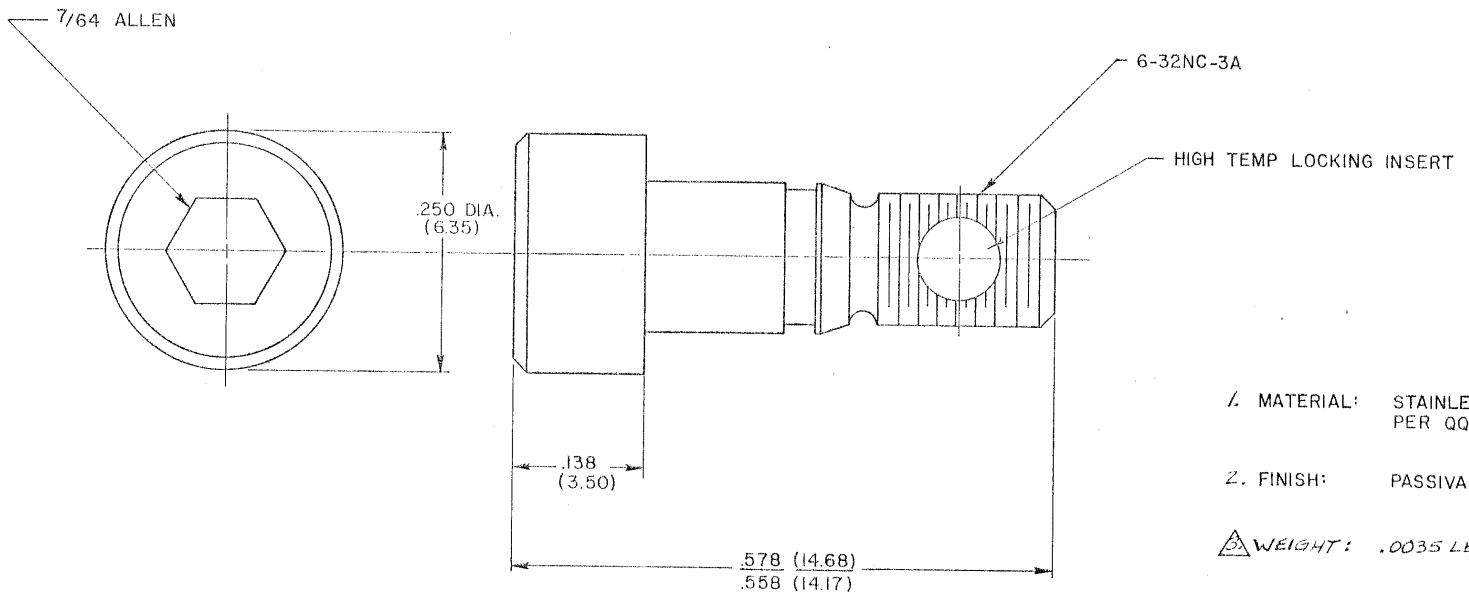
4

3

2

1

REVISIONS				
ZONE	CTR	DESCRIPTION	DATE	APPROVED
A		NEW DESIGN - 013037	8/20/79	[Signature]



- 1. MATERIAL: STAINLESS STEEL 300 SERIES PER QQ-S-763.
- 2. FINISH: PASSIVATE PER QQ-P-35.
- 3. WEIGHT: .0035 Lbs. [1.588gr.] MAX.

© Raychem Corporation 1979

CONNECTOR SPECIFICATION CONTROL DRAWING

UNLESS OTHERWISE SPECIFIED DIMENSIONS ARE IN INCHES BRACKETED DIMENSIONS () ARE METRIC AND TOLERANCES ARE: .xxx: ±.005 (.127mm) .xx: ± () .x: ± ()	DRAWN	A.M. LEE	6-18-79	Raychem <small>RAYCHEM CORPORATION 300 CONSTITUTION DRIVE MENLO PARK, CALIFORNIA 94025</small>	
	CHECKED	Hogman	6-20-79		
	APPROVED	[Signature]	6-25-79	TITLE	
	APPROVED			SCREW, CAPTIVE	
	APPROVED			ALLEN HEAD	
	PROJECT	6448-7072		SIZE	CODE IDENT
				C	NO. 06090
				DWG. NO.	CTA-0028
				WEIGHT	[Symbol] .0035 Lbs.
				SHEET	/ OF /

If this document is printed it becomes uncontrolled. Check with the web for latest revision.

DO NOT SCALE THIS DRAWING