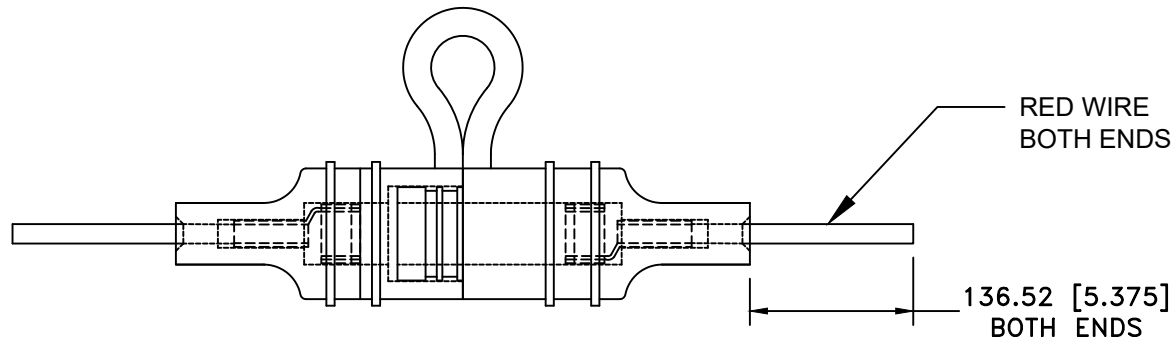
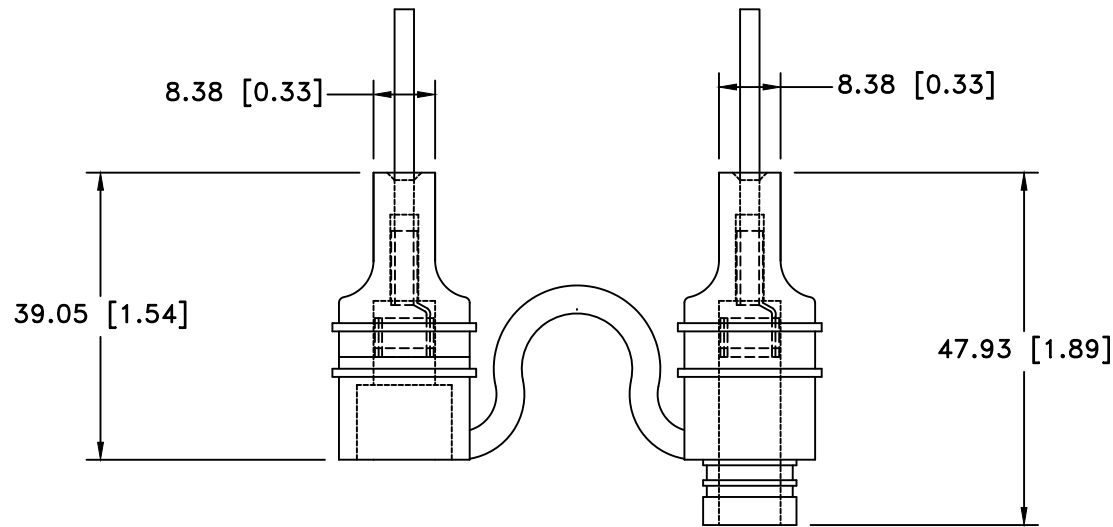



| Date | SYM | REVISION RECORD | AUTH | DR. | CK. |
|------|-----|-----------------|------|-----|-----|
| | | | | | |
| | | | | | |
| | | | | | |
| | | | | | |



ROHS COMPLIANT

SPECIFICATION:
 YELLOW HOUSING, WATER RESISTANCE FOR WIRE ONLY
 RED WIRES: 16-18 AWG,
 FOR FUSE 6.3 x 32mm AGC/ATE OR 6.3 x 30mm JMC/JTG.

| | | | |
|--------------------------------|---|----------------------------|---------------|
| Tolerance (Except as noted) |  Memory Protection Devices, Inc 200 Broad Hollow Road, Farmingdale, New York 11735 | | |
| decimal ±.5 (.020) | | Scale | Drawn By B.S. |
| Fractional ± .8 (.030) | Title IN-LINE AGC FUSE HOLDER WITH WIRE | | |
| Angular ± 3° | Date 12/21/22 | Drawing Number BF-308-6 | |