

AZSR143

50 AMP MINIATURE POWER RELAY

FEATURES

- 50 Amp switching capability
- Contact gap: 1.8mm standard / 2.0mm available
- Dielectric strength 4.5 kV_{RMS}
- 10kV Surge
- UL class F insulation
- UL / CUR E365652
- TÜV B0887930015
- CQC 19002227975



Illustration similar



| CONTACTS | |
|---|---|
| Arrangement | SPST-N.O. (1 Form A) |
| Ratings (max.) switched power switched current continuous current switched voltage | (resistive load) 19200 VA 50 A 50 A 480 VAC |
| Rated Loads UL/CUR/CQC | 43 A at 277 VAC, resistive, 85°C, 30k cycles 33 A at 277 VAC, resistive, 105°C, 30k cycles 50 A at 277 VAC, resistive, 85°C, 6k cycles 20 A make, 50 A carry, 20 A break at 277 VAC, resistive, 85°C, 50k cycles |
| TÜV | 43 A at 277 VAC, resistive, 85°C, 30k cycles 40 A at 480 VAC, resistive, 85°C, 30k cycles 33 A at 277 VAC, resistive, 105°C, 30k cycles 50 A at 277 VAC, resistive, 85°C, 6k cycles 20 A make, 50 A carry, 20 A break at 480 VAC, resistive, 85°C, 50k cycles |
| Contact material | AgSnO ₂ (silver tin oxide) |
| Contact gap standard version option (103) version | ≥ 1.8 mm ≥ 2.0 mm |
| Contact resistance initial typical | ≤ 100 mΩ < 3 mΩ |

| COIL | |
|--|---|
| Nominal coil DC voltages | 5, 9, 12, 18, 24, 48 |
| Dropout voltage | > 5% of nominal coil voltage |
| Holding voltage | > 35% of nominal coil voltage |
| Coil power nominal holding power at pickup voltage | (at 23 °C) 1.6 W 196 mW 900 mW |
| Temperature Rise | 70 K (126°F) at nom. coil voltage, 85°C |
| Max. temperature | Class F insulation - 155°C (311°F) |

| GENERAL DATA | |
|---|---|
| Life Expectancy mechanical electrical | (minimum operations) 1 x 10 ⁵ see UL/CUR/TÜV/CQC ratings |
| Operate Time | 20 ms (max.) at nominal coil voltage |
| Release Time | 10 ms (max.) at nominal coil voltage, without coil suppression |
| Dielectric Strength coil to load contacts open load contacts | (at sea level for 1 min.) 4500 V _{RMS} 2500 V _{RMS} |
| Surge Voltage coil to contacts | 10kV @1.2/50µs |
| Insulation Resistance | 1000 MΩ (min.) at 23°C, 500 VDC, 50% RH |
| Insulation Type coil to contacts | Reinforced insulation (rated voltage ≤ 300 VAC, pollution degree: 2, overvoltage category: II) Basic insulation (rated voltage > 300 VAC, pollution degree: 2, overvoltage category: II) |
| Temperature Range operating | (at nominal coil voltage) -40°C (-40°F) to 85°C (185°F) |
| Vibration Resistance | 0.062" (1.5 mm) DA at 10–55 Hz |
| Shock | 20 g |
| Enclosure material protection category material group flammability | P.B.T. polyester RT II, flux proof IIla UL94 V-0 |
| Terminals | Tinned copper alloy, P. C. |
| Soldering max. temperature max. time | 270 °C 5 s |
| Dimensions length width height | 30.4 mm (1.20") 15.9 mm (0.63") 25.15 mm (0.99") |
| Weight | 25 grams (approx.) |
| Compliance | UL 508, IEC 61810-1, RoHS, REACH |
| Packing unit in pcs | 50 per plastic tray / 500 per carton box |

ZETTLER

AZSR143

COIL VOLTAGE SPECIFICATIONS

| Nominal Coil VDC | Must Operate VDC | Min. Holding VDC | Max. Cont. VDC | Resistance Ohm \pm 10% |
|------------------|------------------|------------------|----------------|--------------------------|
| 5 | 3.75 | 1.75 | 6.0 | 15.5 |
| 9 | 6.75 | 3.15 | 10.8 | 50.5 |
| 12 | 9.0 | 4.2 | 14.4 | 90.0 |
| 18 | 13.5 | 6.3 | 21.6 | 202.5 |
| 24 | 18.0 | 8.4 | 28.8 | 360.0 |
| 48 | 36.0 | 16.8 | 57.6 | 1440 |

Note: All values at 23°C (73°F), upright position, terminals downward.

ORDERING DATA

AZSR143-1AE-D

Options

nil: standard version
(103): 2.0 mm contact gap version

Nominal coil voltage

see coil voltage specifications table

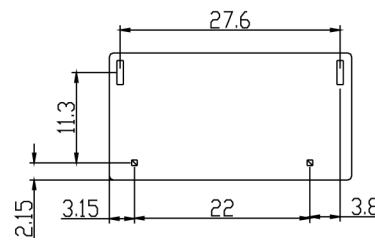
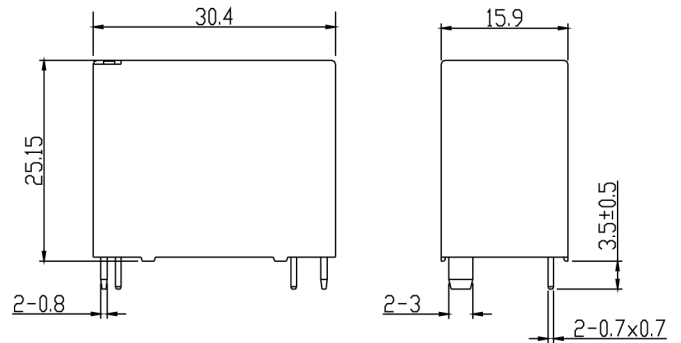
Example ordering data

AZSR143-1AE-24D 24 VDC nominal coil voltage, 1.8 mm contact gap

AZSR143-1AE-24D(103) 24 VDC nominal coil voltage, 2.0 mm contact gap

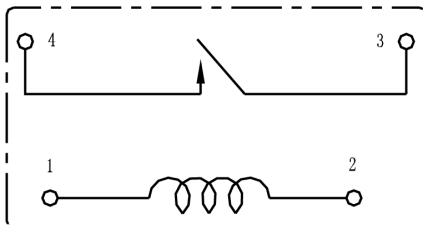
MECHANICAL DATA

Dimensions in mm. Tolerance: \pm 0.3mm



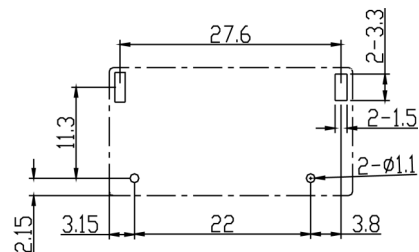
WIRING DIAGRAMS

Viewed towards terminals



PC BOARD LAYOUT

Layout recommendation. Viewed towards terminals. Dimensions in mm.



NOTES

1. All values at reference temperature of 23°C (73°F) unless stated otherwise.
2. Relay may pull in with less than "Must Operate" value.
3. Provide sufficient PCB cross section as heat spreader on load terminals.
4. Coil suppression circuits such as diodes, etc. in parallel to the coil will lengthen the release time.
5. Relay adjustment may be affected if excessive shock is applied to the relay.
6. Specifications subject to change without notice.

ZETTLER

www.ZETTLER-group.com

page 2 of 3

2021-03-04

AZSR143

DISCLAIMER

This product specification is to be used in conjunction with the application notes which can be downloaded from the regional ZETTLER relay websites. The specification provides an overview of the most significant part features. Any individual applications and operating conditions are not taken into consideration. It is recommended to test the product under application conditions. Responsibility for the application remains with the customer. Proper operation and service life cannot be guaranteed if the part is operated outside the specified limits.

ZETTLER GROUP

Building on a foundation of more than a century of expertise in German precision engineering, ZETTLER Group is a world-class enterprise, engaged in the design, manufacturing, sales and distribution of electronic components. Our industry leadership is based on a unique combination of engineering competence and global scale.

For more information on other ZETTLER Group companies, please visit zettler-group.com. For support on this product or other ZETTLER relays, please visit one of the group sites below.

SITES FOR ZETTLER RELAYS

NORTH AMERICA

American Zettler, Inc.
www.azettler.com
sales@azettler.com

EUROPE

Zettler Electronics, GmbH
www.zettlerelectronics.com
office@zettlerelectronics.com

Zettler Electronics, Poland
www.zettlerelectronics.pl
office@zettlerelectronics.pl

CHINA

Zettler Group, China
www.zettlercn.com
relay@zettlercn.com

ASIA PACIFIC

Zettler Electronics (HK) Ltd.
www.zettlerhk.com
sales@zettlerhk.com



ZETTLER