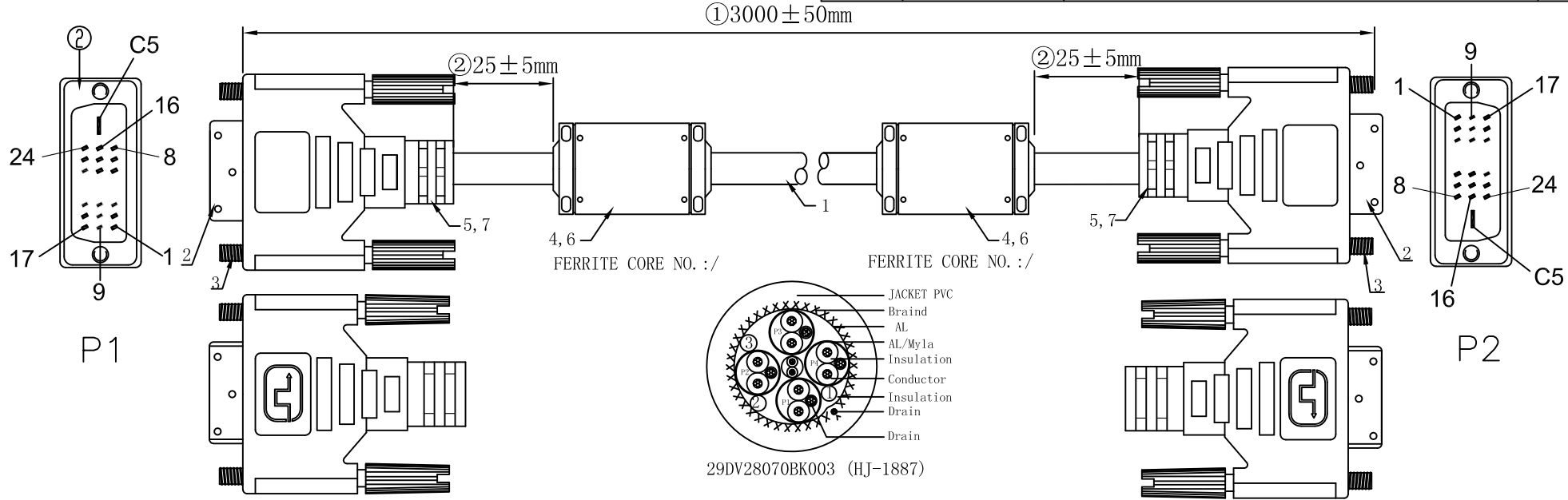


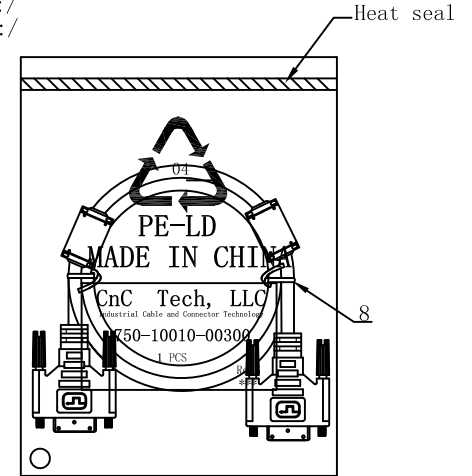
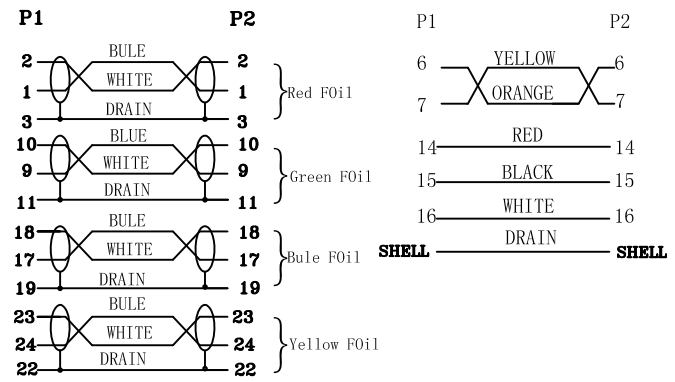
REV.	Change NO.	Change Description	Date	Approved
AO		NEW	2018.07.31	



DVI (18+1)P/M MOLDING
INNER MOLDING NO. :/
OUTER MOLDING NO. :/

DVI (18+1)P/M MOLDING
INNER MOLDING NO. :/
OUTER MOLDING NO. :/

PIN OUT



8	TIE	L=100mm	1	PC
7	OUT Molding1	50P PVC White (WH-52)	42	g
6	OUT Molding1	45P PVC Black (BK-01)	30	g
5	IN Molding	LDPE	12	g
4	Iron Core	OD17.5*ID10.5*L28.6mm	2	PCS
3	Screw rod	4#-40UNC ϕ 2.8*L32mm nickel plated white plastic	4	PCS
2	DVI(18+1)	DVI(18+1)/M Black plastic Nickel plating	2	PCS
1	CABLE	[(7/0.12TS+FP EID0.95)*1P+(D7/0.12TS+HDPEID0.6)+AL]*4P+(7/0.12TS+HDPEID0.7)*1P+(7/0.12TS+HDPEID0.7)*3C]+AL+D1/0.32BC+128/0.12ALMG+PVC OD7.0MM Black	1	PCS
NO.	Name	Specifications	QT'Y	UNIT

ITEM NO.	750-10010-00300	Customer	/
DESCRIPTION	DVI(18+1)P/M TO DVI(18+1)P/M	REV.	AO
MATERIAL NO.	C-DV-(18+1)PM/M-036-3.0M	FILE/N	/
		PAGE	1 OF 1
		UNIT	mm
		SCALE	NONE
		PROJECTION	
		DATE	2018.07.31

CnC Tech, LLC