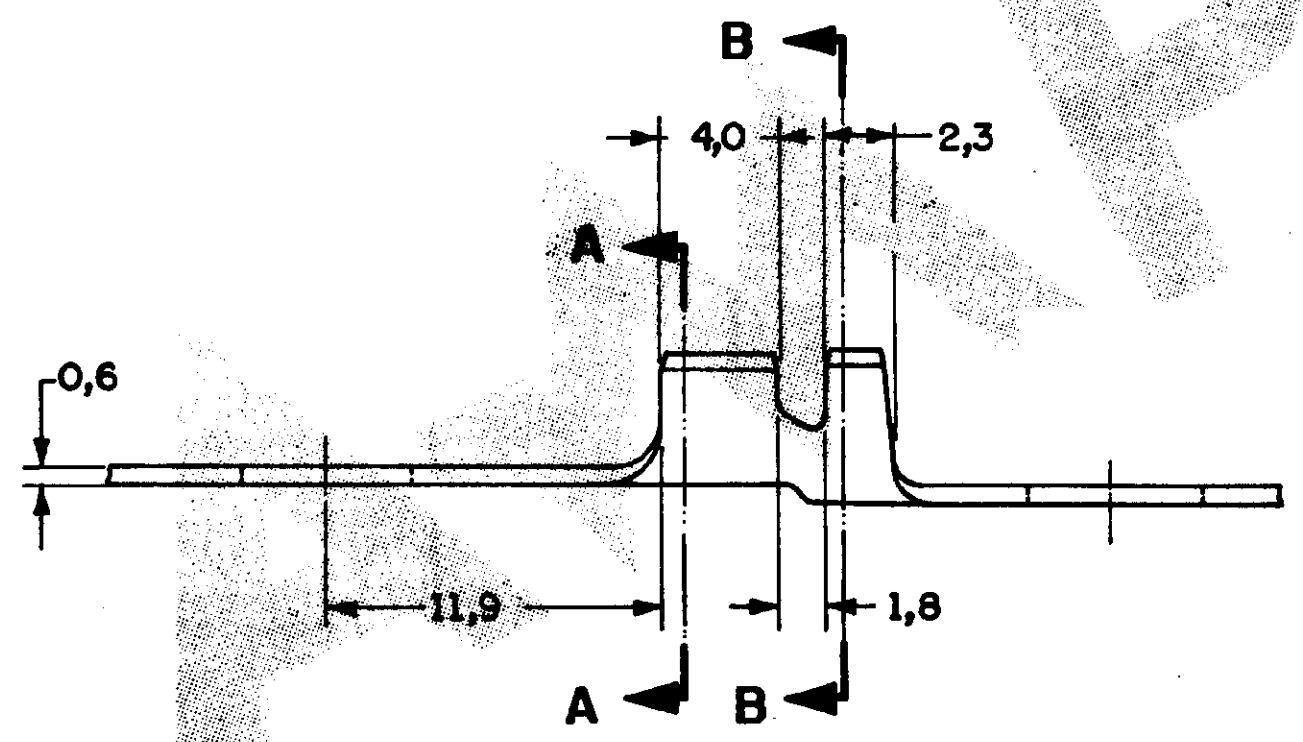
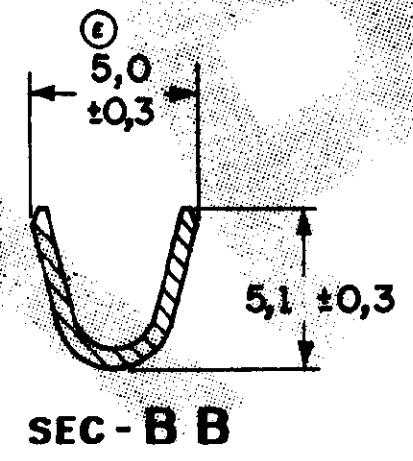
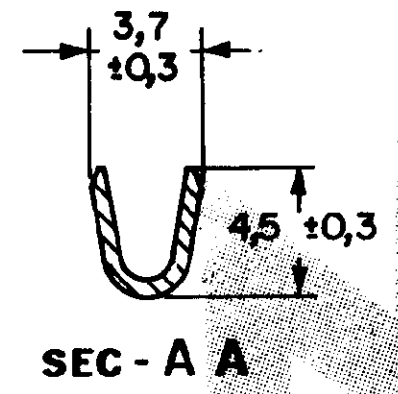
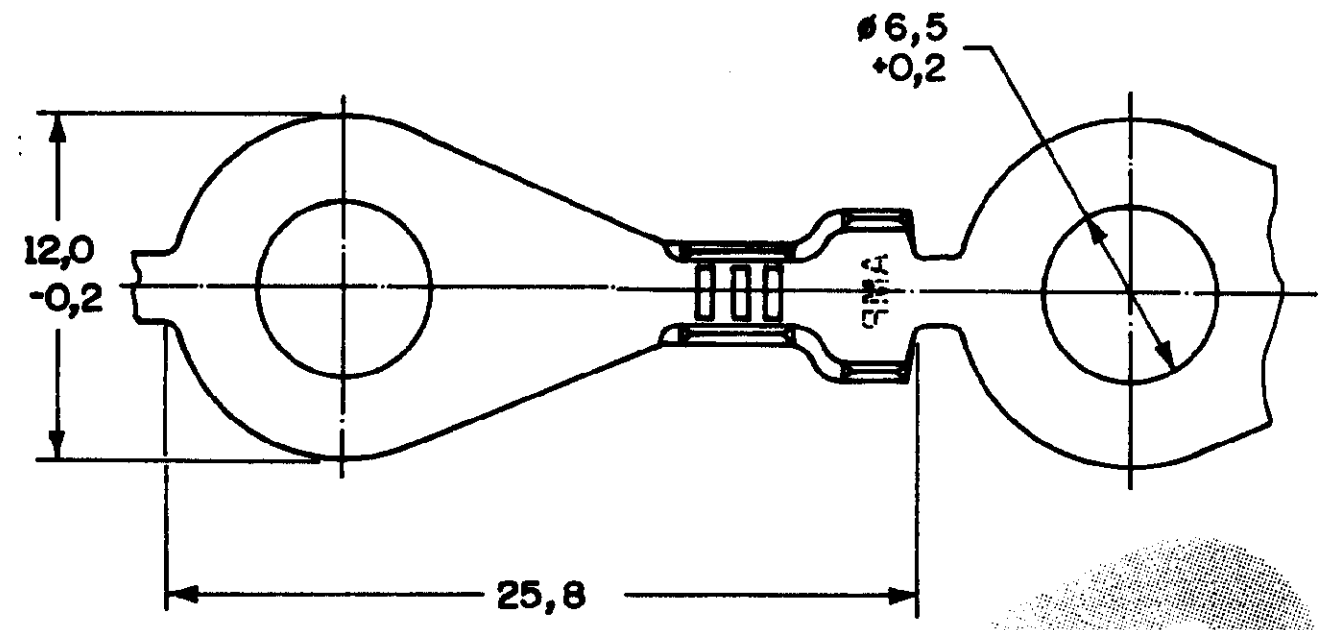


C626034

DO NOT SCALE  
DIMENSIONS IN

**METRIC**



OB SOLETE	ESTANHADO	PHOSPHOR BRONZE	626034-4
OB SOLETE		PHOSPHOR BRONZE	626034-3
	ESTANHADO	LATAO	626034-2
		LATAO	626034-1
	FINISH	MATERIAL	PART NUMBER
THIS DRAWING IS UNPUBLISHED RELEASED FOR PUBLICATION			
© COPYRIGHT IS BY AMP DO BRASIL LTDA S.P. ALL INTERNATIONAL RIGHTS RESERVED AMP PRODUCTS MAY BE COVERED BY U.S. AND FOREIGN PATENTS AND/OR PATENTS PENDING.			
TOLERANCES UNLESS OTHERWISE STATED		INS. DIA. RANGE	WIRE RANGE
DEC. ± 0,3		2,2-3,8mm	1,0-2,5mm <sup>2</sup>
ANGLES ± 1°		SCALE 4:1	
DR. M.R. Briz 07-Jan-92		<b>AMP</b> AMP do BRASIL LTDA. São Paulo, Brasil	
DESCRIPTION		RING TONGUE	
REV. BY ECO 17-000291 HC HC 12JAN17		DWS NO C626034	
E REDES. C/NDM. REX FOR 1876 M.R. Briz 7.1.92		SHEET 10/11	
REVISION	RECORD	DR	CHK
			DATE
			APP. [Signature]