

THIS DRAWING IS UNPUBLISHED.

RELEASED FOR PUBLICATION

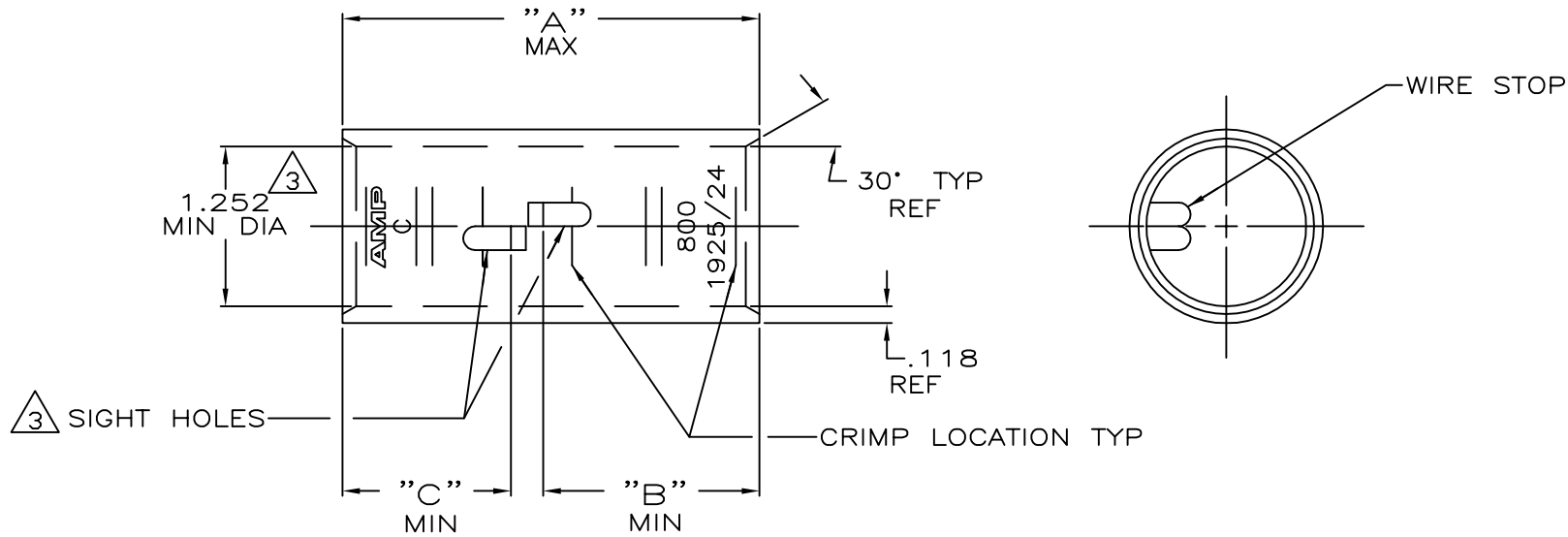
ALL RIGHTS RESERVED.

© COPYRIGHT - By -

LOC G DIST 86

REVISIONS

P	LTR	DESCRIPTION	DATE	DWN	APVD
	N	ECR-13-000998	11FEB2013	PK	HS



3 SIGHT HOLES

CRIMP LOCATION TYP

1 TIN PL .000150 MIN THK MIL-T-10727

2 PART NO: 324469; .486 LB.  
PART NO: 1-324469-0; .486 LB.  
PART NO: 2-324469-2; .548 LB.

3 .045 MAX BURR ALLOWED INSIDE THE WIRE BARREL ID IN AREA OF SIGHT HOLE.

1.32	1.69	3.31	△	750-850 MCM	COPPER ASTM-B-75 ANNEALED	2-324469-2
1.32	1.32	2.96	CLEANED △			1-324469-0
"C"	"B"	"A"	FINISH	WIRE RANGE	MATERIAL	PART No

THIS DRAWING IS A CONTROLLED DOCUMENT.

DIMENSIONS: INCHES	TOLERANCES UNLESS OTHERWISE SPECIFIED: 0 PLC ± - 1 PLC ± - 2 PLC ± - 3 PLC ± - 4 PLC ± - ANGLES ± -	DWN DK SCHRUM 4/24/89 CHK MS FEHER 4/24/89 APVD WJ VOCKROTH 11/8/89	<p>TE Connectivity</p> <p>SPLICE, BUTT, AMPPOWER WIRE SIZE: 800 MCM</p>
MATERIAL SEE TABLE	FINISH SEE TABLE	PRODUCT SPEC APPLICATION SPEC WEIGHT △ CUSTOMER DRAWING	
		SIZE A3 CAGE CODE 00779 DRAWING NO C=324469	RESTRICTED TO
		SCALE 1:1 SHEET 1 OF 1	REV N