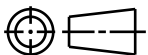
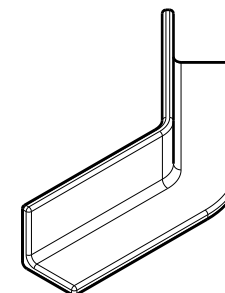
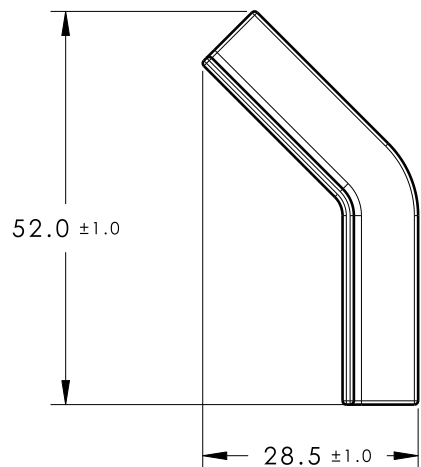


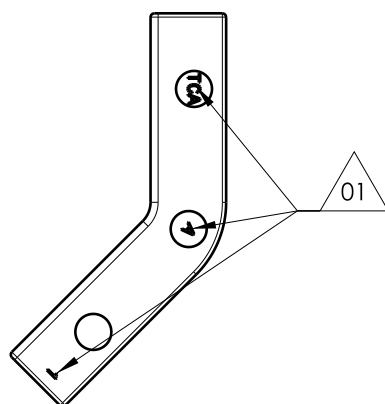
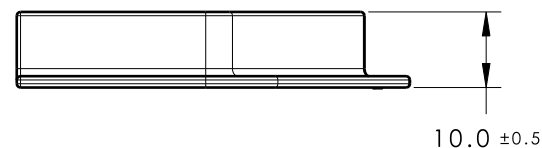
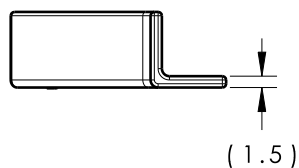
CATIA V5



Revision Level		Revision Record	Changed	Date	Approved	Date
Drawing	Part					
01	A	SEE ECN# 012600	CJR	12/30/13	SJA	01/03/14



ISOMETRIC VIEW



Material
PP20%TC
COLOR: BLACK

Units millimeters

Tolerance defined on each dimension

The copyright of this drawing is reserved by HellermannTyton. It is issued on condition that it is not reproduced, copied or disclosed to a third party, either wholly or in part, without the consent of HellermannTyton.

Drawn	CJR	10/08/13
Approved	SJA	10/08/13

HellermannTyton

North America
Email: corp@htamericas.com
Web: www.hellermann.tyton.com

Article/Type-No 45MINICHNL ⁰¹

Title 45 DEGREE MINI CHANNEL ⁰¹

Drawing-No PRODUCTION : Phase

13-0589-001-CSU

Scale 1:1

Project Number
13-0589

Format AH

Sheet 1/1