

6

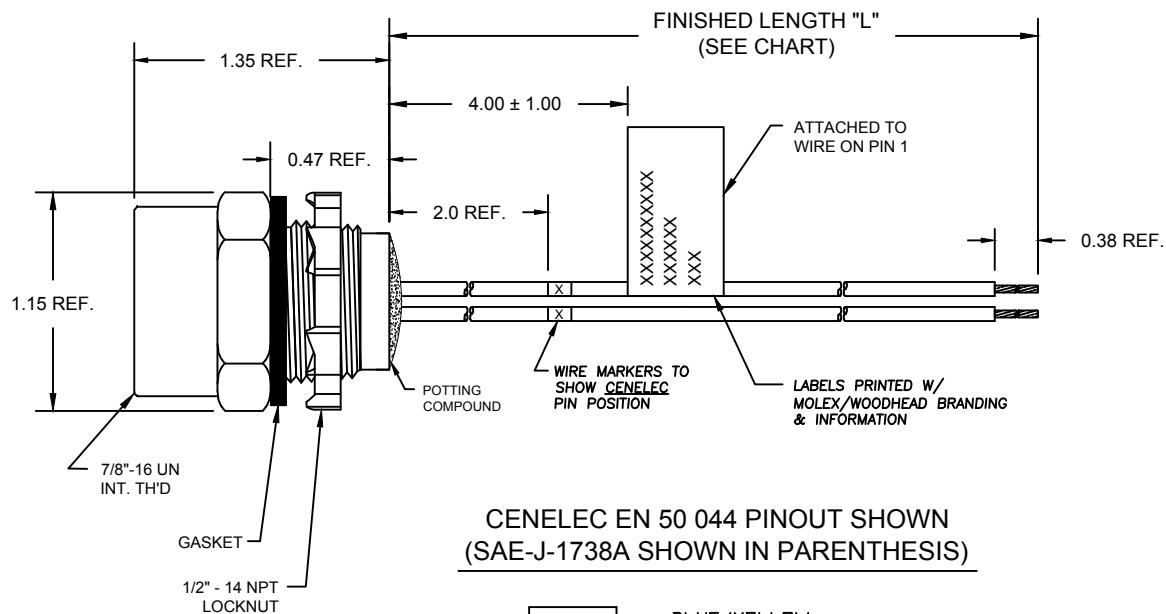
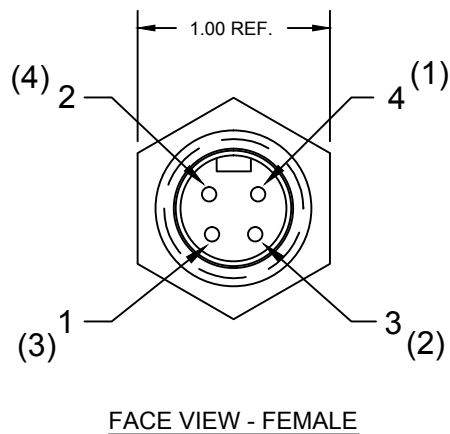
5

4

3

2

1



CENELEC EN 50 044 PINOUT SHOWN
(SAE-J-1738A SHOWN IN PARENTHESIS)

1 (3)	BLUE/YELLOW
2 (4)	BLUE/YELLOW
3 (2)	WHITE/BLUE
4 (1)	WHITE/BLUE

SPECIFICATIONS:

SHELL MATERIAL: NICKEL-PLATED ZINC DIECAST
 CONTACT MATERIAL: GOLD/NICKEL OVER COPPER ALLOY
 INSERT MATERIAL: YELLOW TPE
 LOCKNUT: ZINC-PLATED STEEL
 GASKET: BLACK NEOPRENE

WIRES: #16-1, PVC LEADS

ASSEMBLY RATING: 600V, 10A

ENVIRONMENTAL: -20°C TO 105°C
 IP67 WHEN MATED

AGENCY APPROVALS: UL LISTED

MOLEX SAP P/N#	ENGINEERING P/N#	"L" (Meters)	"L" (INCH)	TOLERANCE (INCH)
1300131038	1R4000AA1M020D	2.0 M	78.74"	+3.50"/-0.00"
1300131040	1R4000AA1M040D	4.0 M	157.48"	+6.50"/-0.00"

CENELEC PINOUT EC NO: IFC2012-1061 6/14/12 DRWN: VOU CHKD: BWOODMAN APPR: JFMURPHY 2012/03/08	QUALITY SYMBOLS =0 =0	GENERAL TOLERANCES (UNLESS SPECIFIED)		DIMENSION STYLE INCH		SCALE 1:1	DESIGN UNITS INCH	THIRD ANGLE PROJECTION	
		4 PLACES	±---	±---	DRAWN BY VOU	DATE 2010/12/13	TITLE MINI-CHANGE RECEPTACLE 4P F/FR 1/2 NPT MOUNT #16-1 PVC WIRES		
		3 PLACES	±---	±.005	CHECKED BY BWOODMAN	DATE 2010/12/14			
		2 PLACES	±0.13	±.010	APPROVED BY JFMURPHY	DATE 2012/03/08	MATERIAL NO. SEE CHART		
1 PLACE	±0.25	±.020	ANGULAR ±1/2°		DOCUMENT NO. SD-130013-030		SHEET NO. 1 OF 1		
DRAFT WHERE APPLICABLE MUST REMAIN WITHIN DIMENSIONS		THIS DRAWING CONTAINS INFORMATION THAT IS PROPRIETARY TO MOLEX INCORPORATED AND SHOULD NOT BE USED WITHOUT WRITTEN PERMISSION							

6

5

4

3

2

1