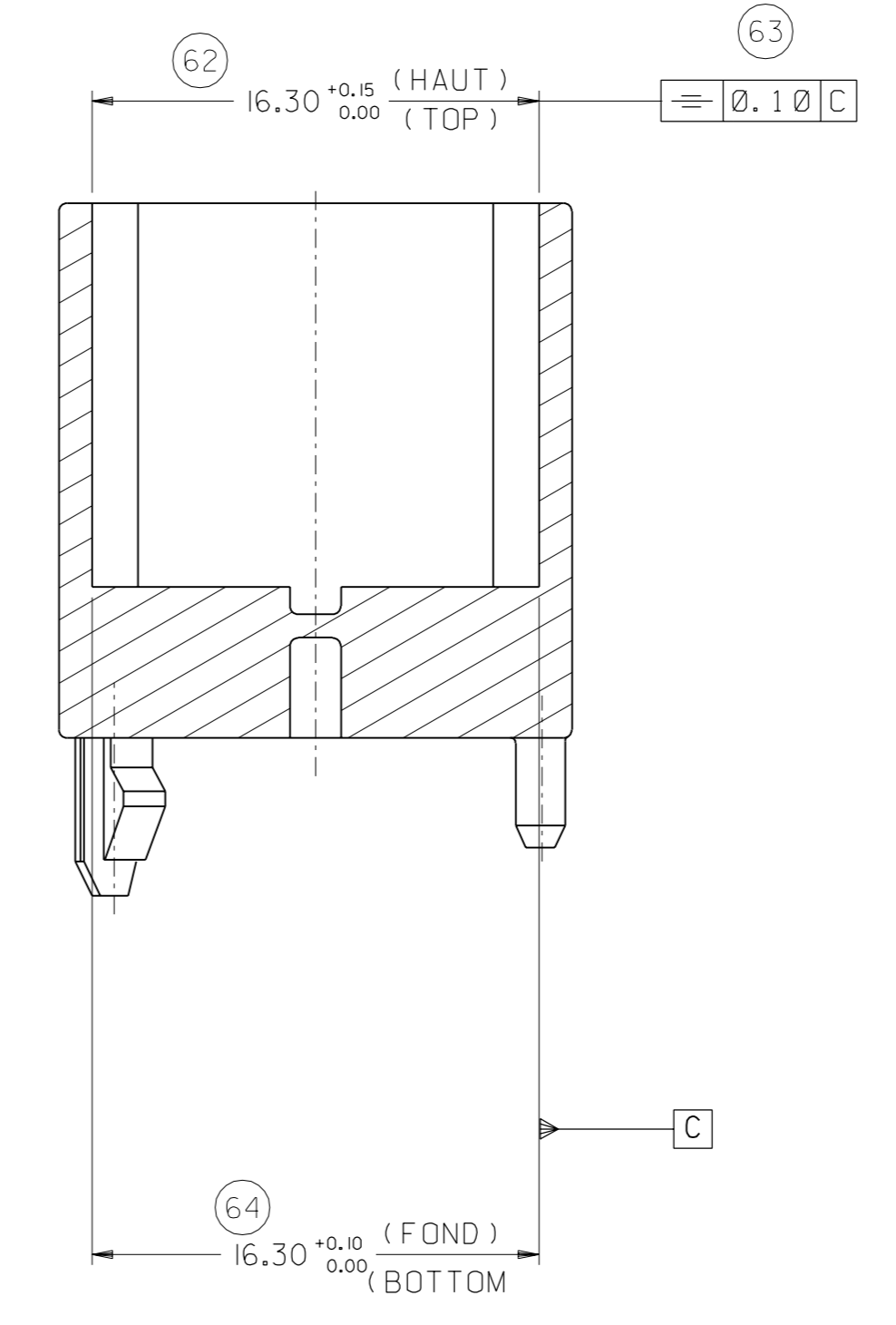
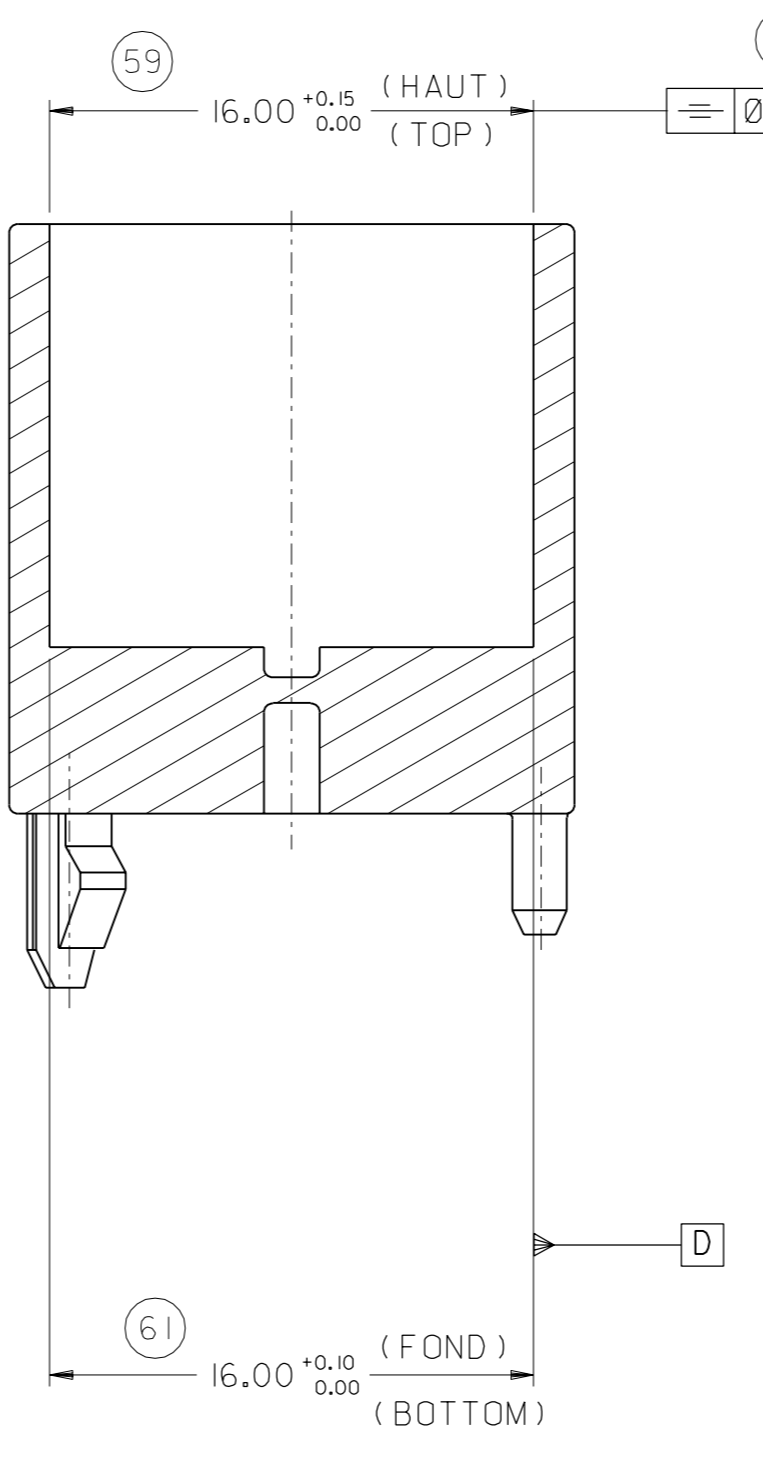
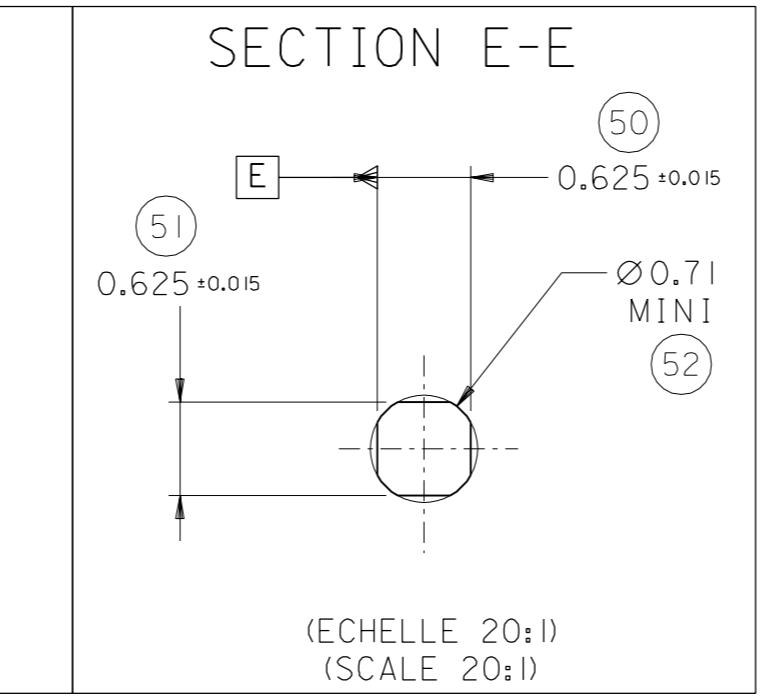
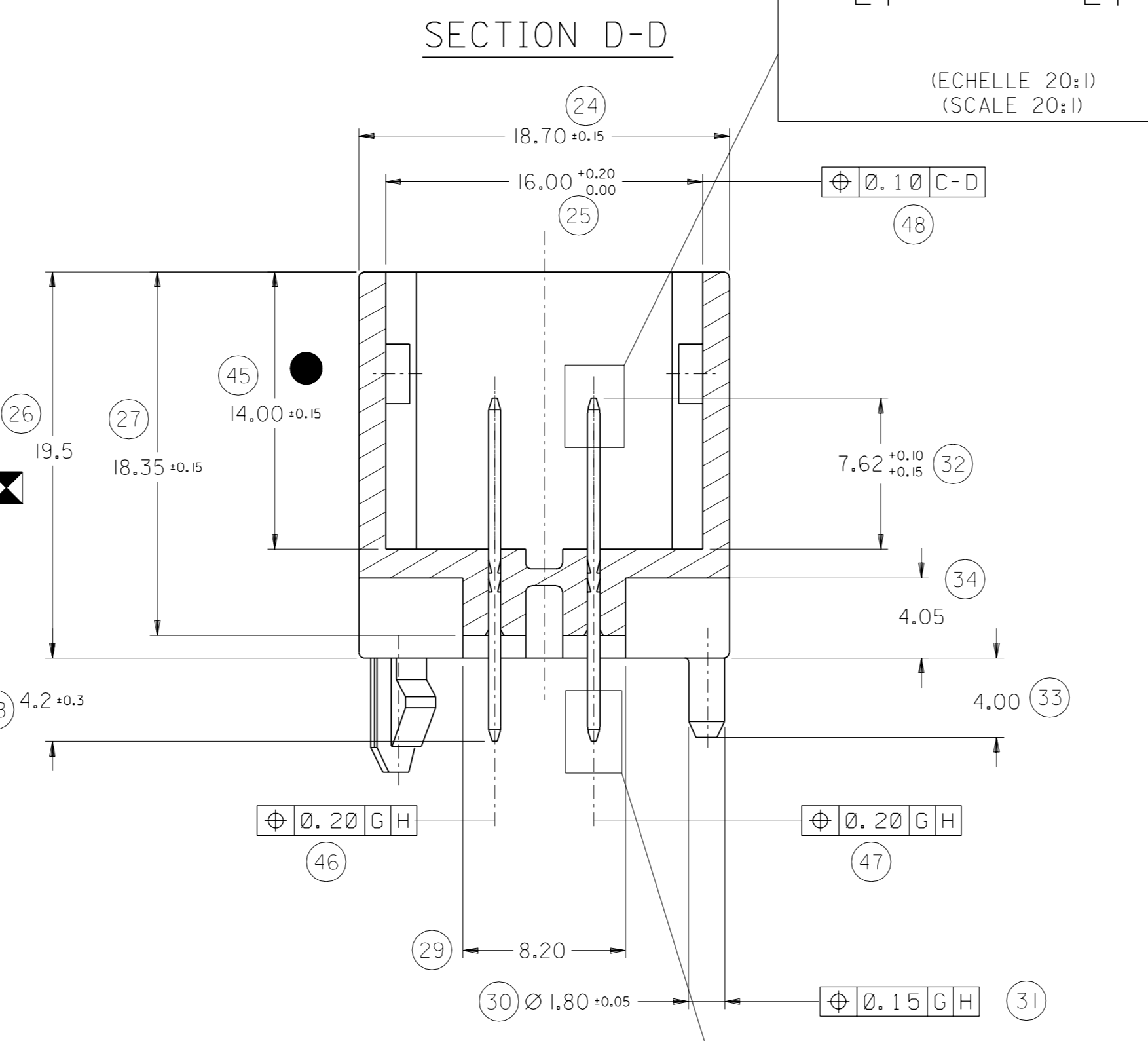
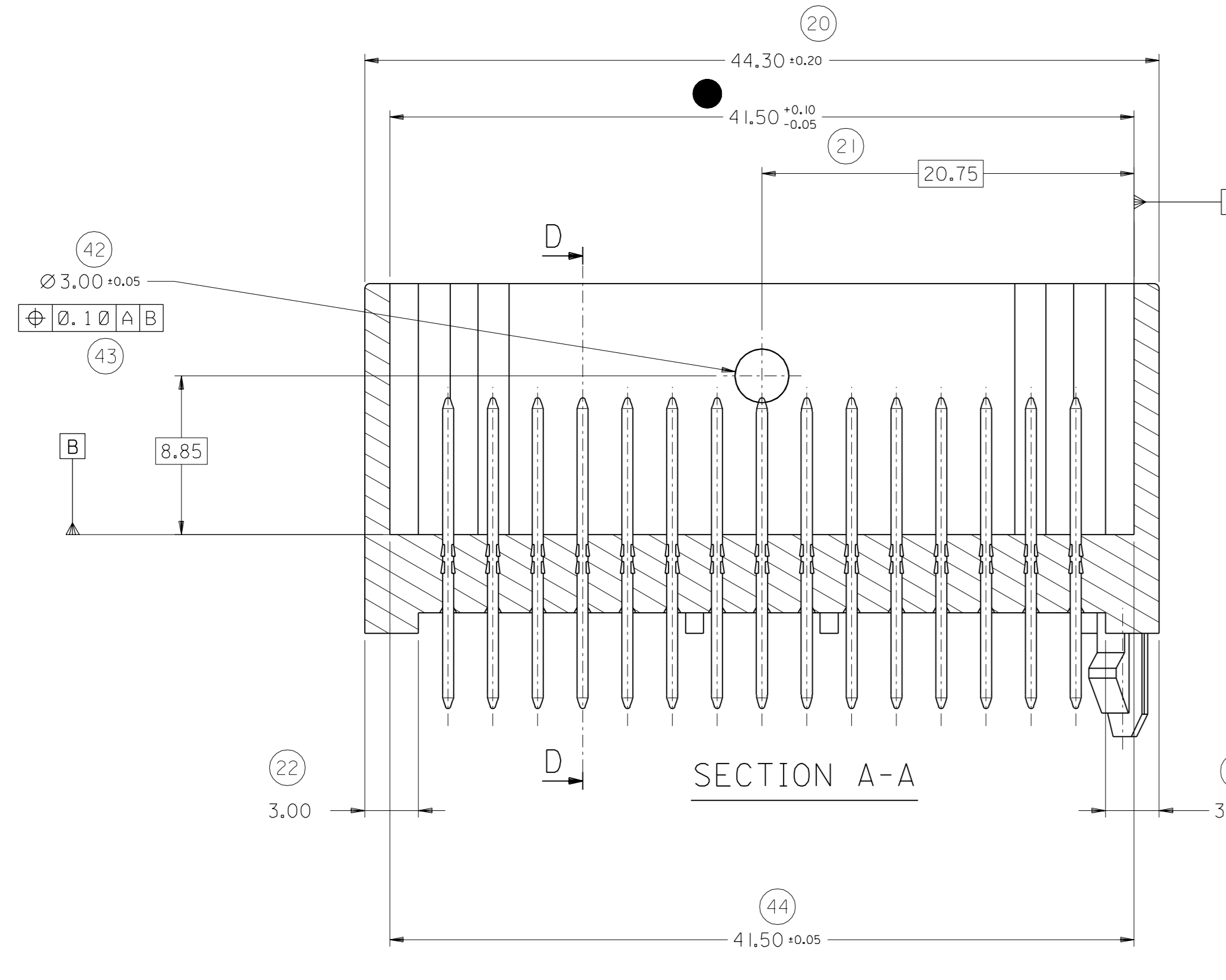
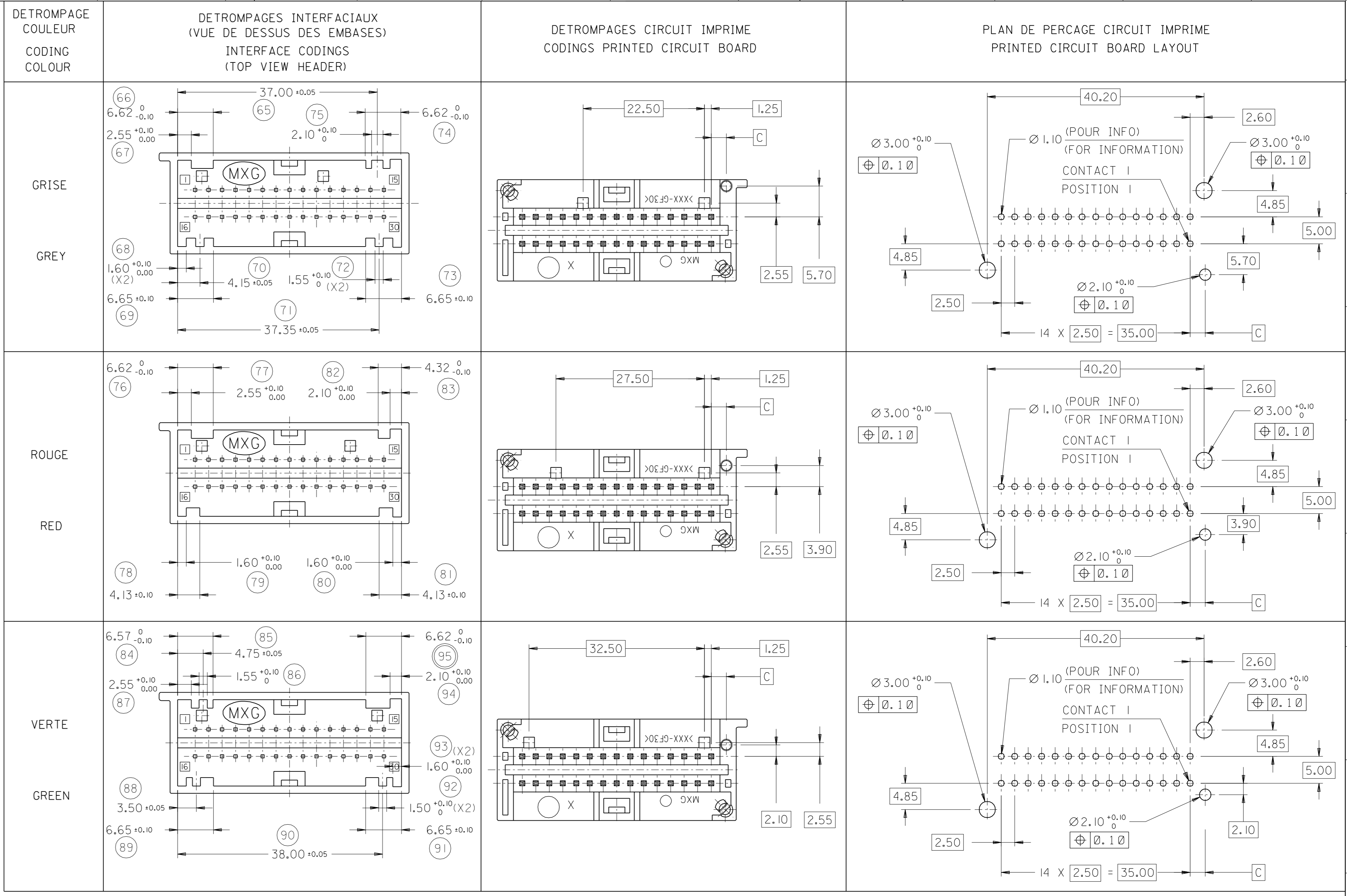
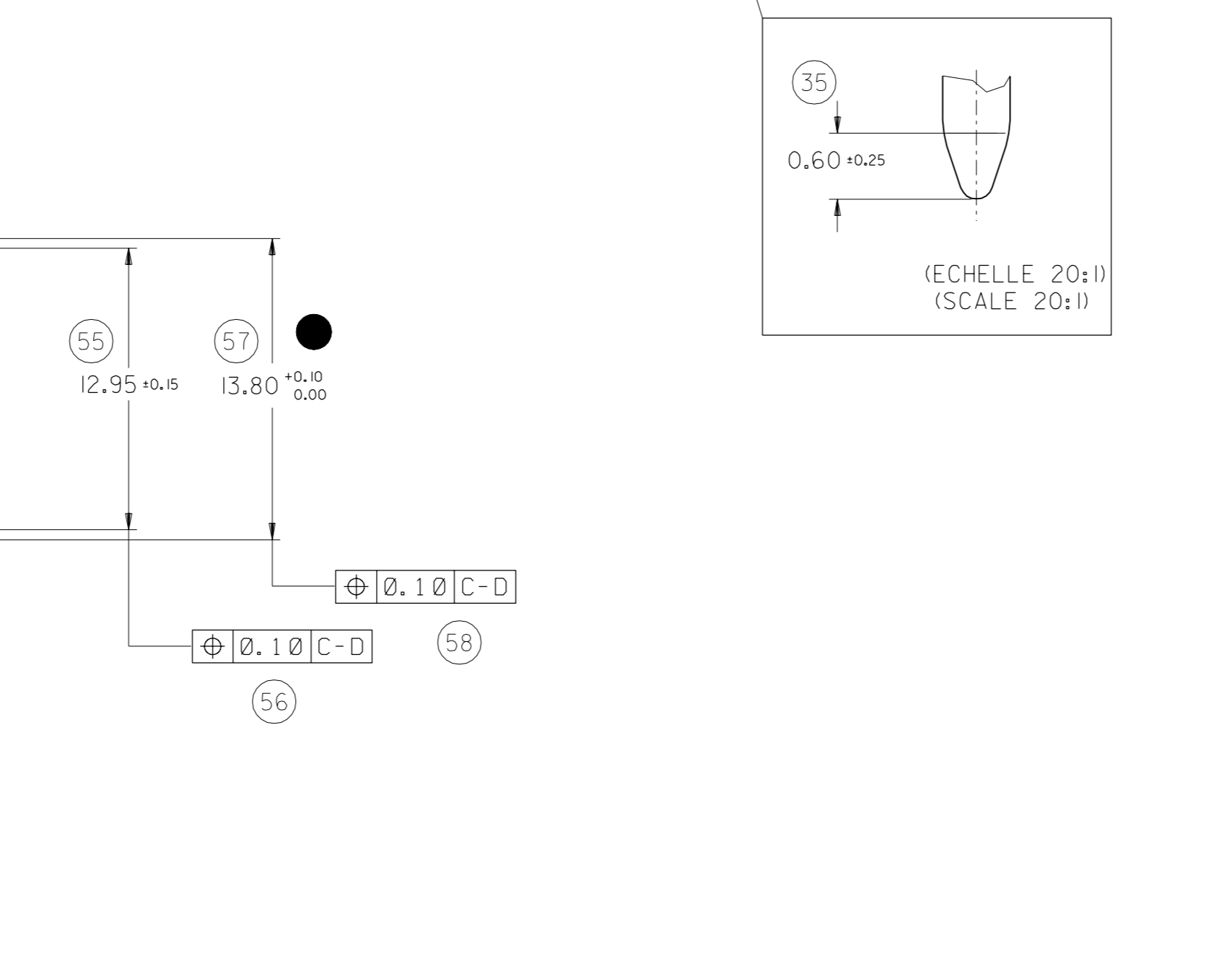
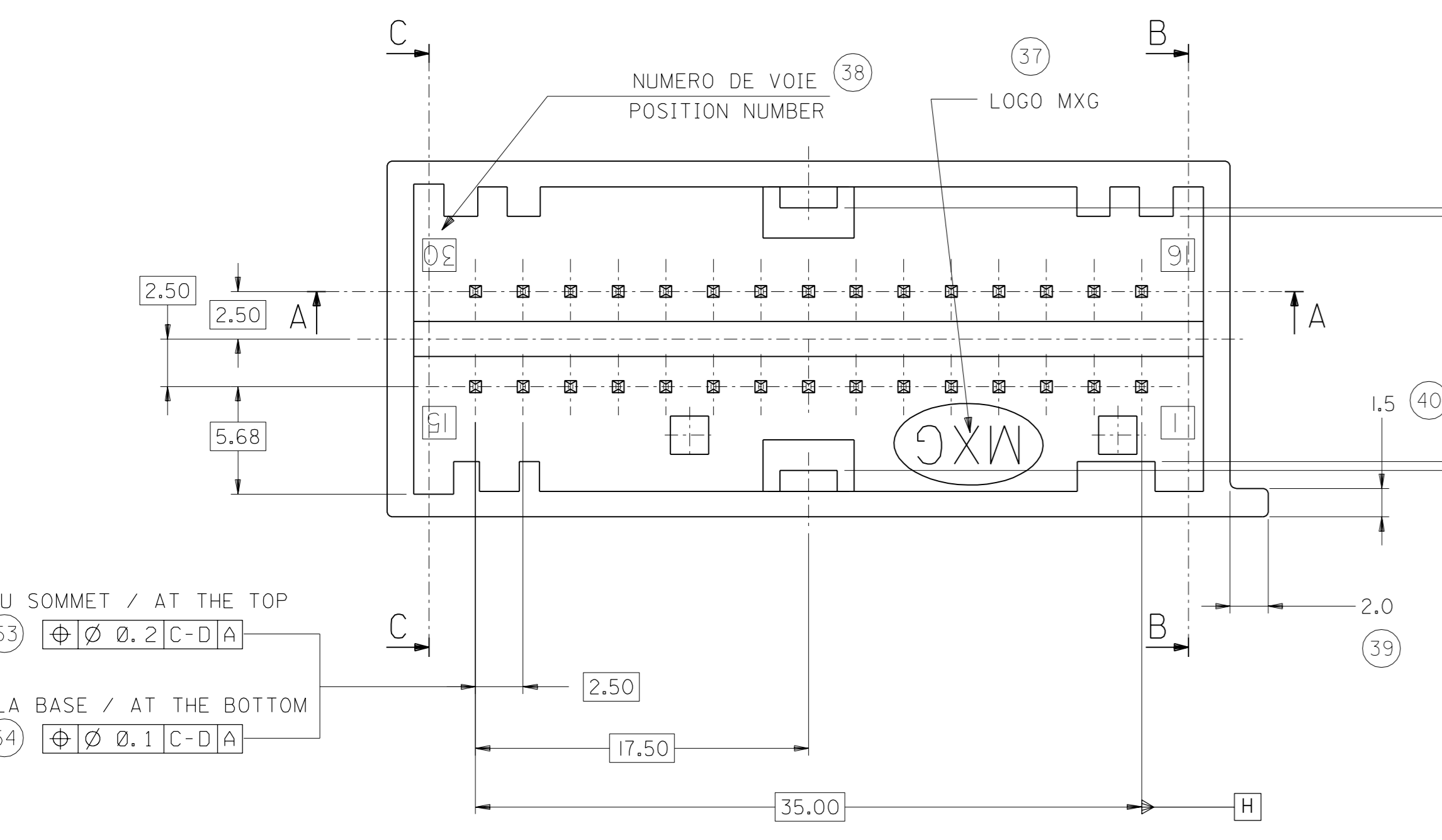


INDICE REVISION PLAN CLIENT SD-98462-004; 'C'  
CUSTOMER DRAWING REVISION LEVEL SD-98462-004; 'C'  
QUANTIEME/ANNEE DE L'ASSEMBLAGE  
DAY OF YEAR/YEAR OF ASSEMBLY OPERATION  
MARQUAGE JET D'ENCRE  
INK JET PRINTING  
REFERENCE MOLEX  
MOLEX PART NUMBER



COULEUR COLOUR	MATIERE MATERIAL	REFERENCE MOLEX MOLEX PART NUMBER	DIM. C	PORTE-CLIP ASSOCIEE FEMALE MODULE ASSOCIATED
GRISE GREY	PBT-30GF	98462-1111	3.50	77 03 297 770
GRISE GREY	PCT-30GF	98462-1121	2.80	77 03 297 770
ROUGE RED	PBT-30GF	98462-1112	3.50	77 03 297 769
ROUGE RED	PCT-30GF	98462-1122	2.80	77 03 297 769
VERTE GREEN	PBT-30GF	98462-1113	3.50	77 03 297 768
VERTE GREEN	PCT-30GF	98462-1123	2.80	77 03 297 768

NOTES:  
1- LE CODAGE REPRESENTE CORRESPOND A LA COULEUR GRISE (MATIERE PCT)  
FOR ILLUSTRATION PURPOSES GREY COLOUR PART IS SHOWN (PCT MATERIAL)  
2- PIECE CONFORME AU PLAN D'EMPREINTE RENAULT REF.: T 710 001 006  
PART IN ACCORDANCE WITH INTERFACE DRAWING RENAULT: T 710 001 006.  
3- EPAISSEUR CIRCUIT IMPRIME: 150 +/- 0.14 mm.  
PRINTED CIRCUIT BOARD THICKNESS: 150 +/- 0.14 mm.  
4- RETENTION DES CONTACT DANS L'ISOLANT: 25N mini.  
PINS RETENTION IN HOUSING: 25N min.  
5- EPAISSEUR D'ETAMAGE CONTACT: 1 A 3 microns m.  
TIN PLATING THICKNESS OF PINS: 1 TO 3 microns m.  
6- CLIPSAGE DE L'EMBASE SUR CIRCUIT IMPRIME;  
HEADER FIXTURE OF PRINTED CIRCUIT BOARD.  
EFFORT D'INSERTION: 10 A 30N.  
INSERTION FORCE: 10 TO 30N.  
EFFORT D'EXTRACTION: 30N mini.  
RETENTION FORCE: 30N min.  
7- SPECIFICATION D'EMBALLAGE: PP-98462-010.  
PACKAGING SPECIFICATION: PP-98462-010.



AU SOMMET / AT THE TOP  
33  $\Phi 0.2$  C-D  
A LA BASE / AT THE BOTTOM  
34  $\Phi 0.1$  C-D

INDICATION DIMENSIONS S.P.C  
DENOTES S.P.C DIMENSIONS  
INDICATION DIMENSIONS FONCTIONNELLES  
DENOTES FUNCTIONAL DIMENSIONS  
QUANTITE PAR FEUILLE INDIVIDUELLE  
QUANTITY PER INDIVIDUAL SHEET  
= 1 PLACE(S) = 3 PLACE(S)

EC No. G-200 I-0061 DRWN: CBO CHK: / APP: / REV	DESCRIPTION MAJOR CRITICAL C	QUALITY SYMBOLS	GENERAL TOLERANCES: (UNLESS SPECIFIED)		SCALE 4 : 1	DESIGN UNITS <input checked="" type="checkbox"/> mm <input type="checkbox"/> INCH	DRAWN BY & DATE PGR 98/09/04	CHECKED BY & DATE PDE / /	APPROVED BY & DATE CBO / /	CAD FILENAME S98462X1.DGN	MATERIAL NO. SEE CHART	DRAWING NO. SD-98462-004	SHT 1	REV 0
			4 PLACES ±0.	±.										
DRAFT WHERE APPLICABLE MUST REMAIN WITHIN DIMENSIONS			ANGULAR: ±2 °		THIS DRAWING CONTAINS INFORMATION THAT IS PROPRIETARY TO MOLEX INCORPORATED AND SHOULD NOT BE USED WITHOUT WRITTEN PERMISSION.		TITLE: EMBASE 30 VOIES CMS SMT HEADER 30 WAY CUSTOMER DRAWING		MOLEX INCORPORATED		SHEET NO. 1 OF 1		SIZE E	