

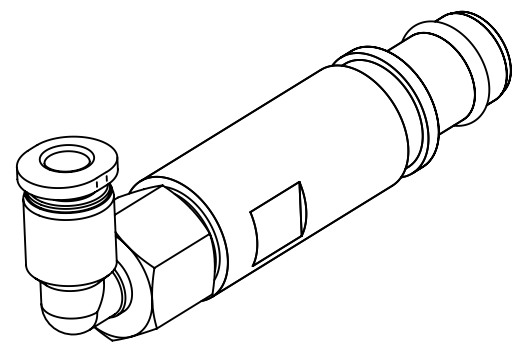
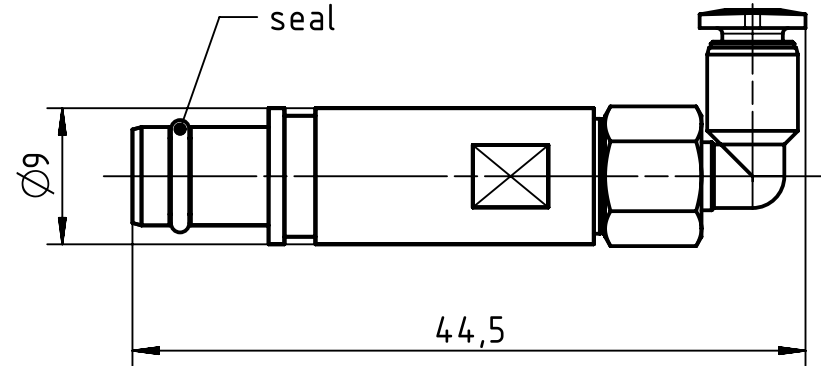
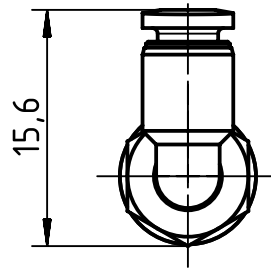
1 2 3 4 5 6


A

B

C

D



	All Dimensions in mm Original Size DIN A4		Scale 2:1	Free size tol.		Ref.		
	All rights reserved Department EL PD		Created by MOELLERLI	Inspected by BEISCHER	Standardisation RUETERA	Date 2018-05-16	State Final Release	
HARTING Electric GmbH & Co. KG D-32339 Espelkamp		Title Pneum. contact metal OD 3mm male angled					Doc-Key / ECM-Nr. 100730970/UGD/002/B 500000133860	
		Type TB	Number 09 14 000 7353			Rev. B	Page 1/1	