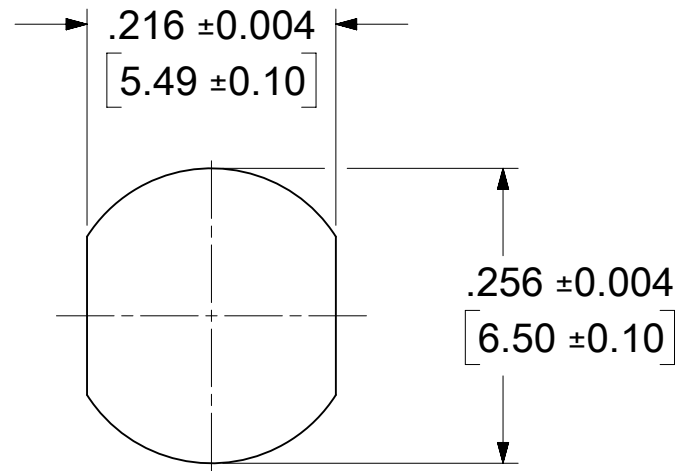
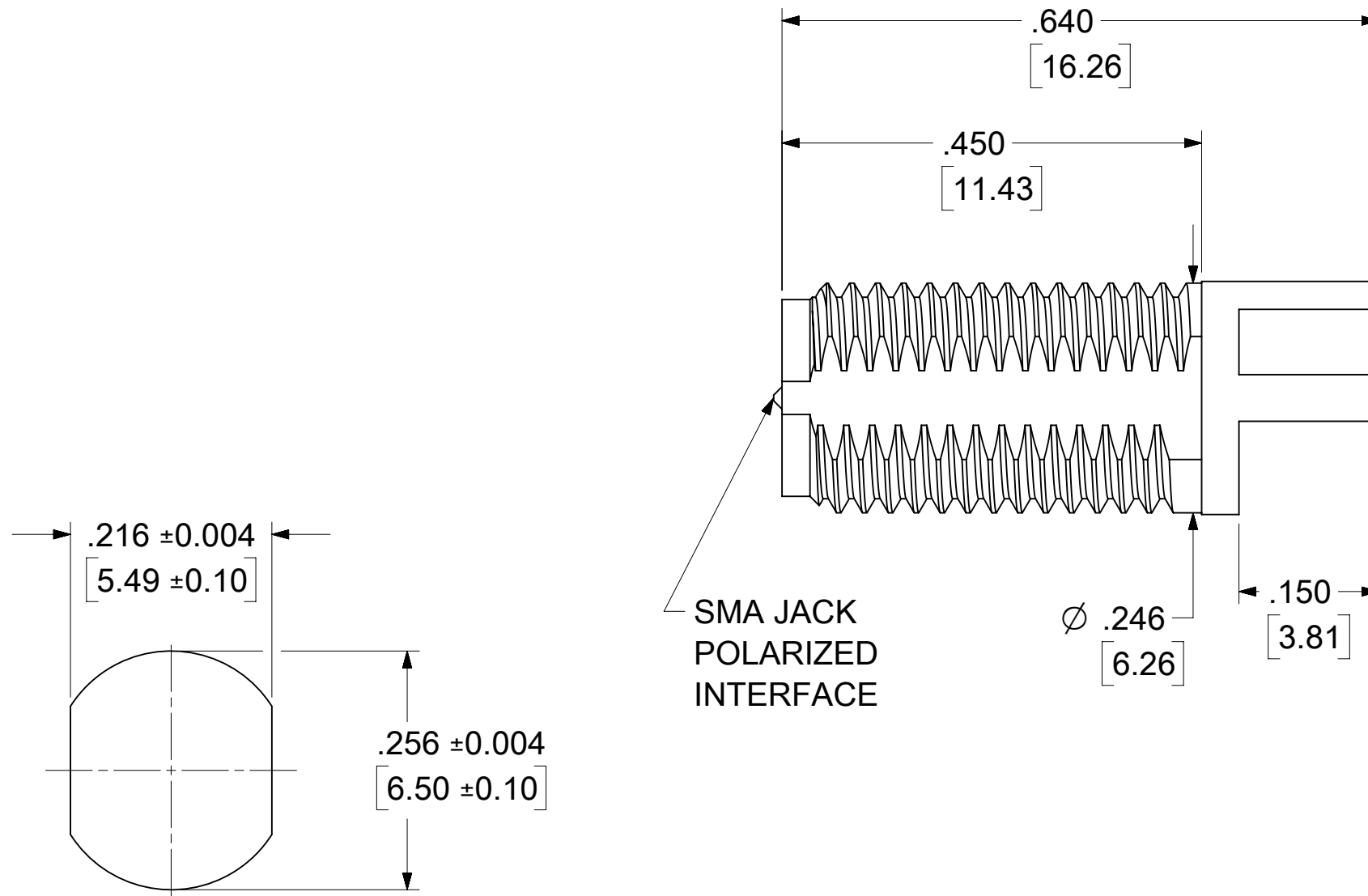
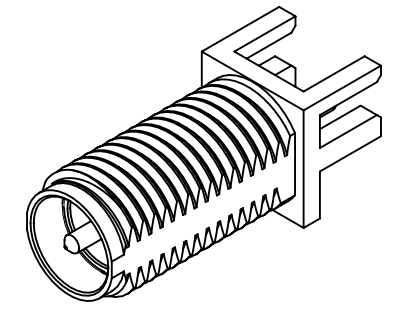


MATERIALS AND FINISHES:

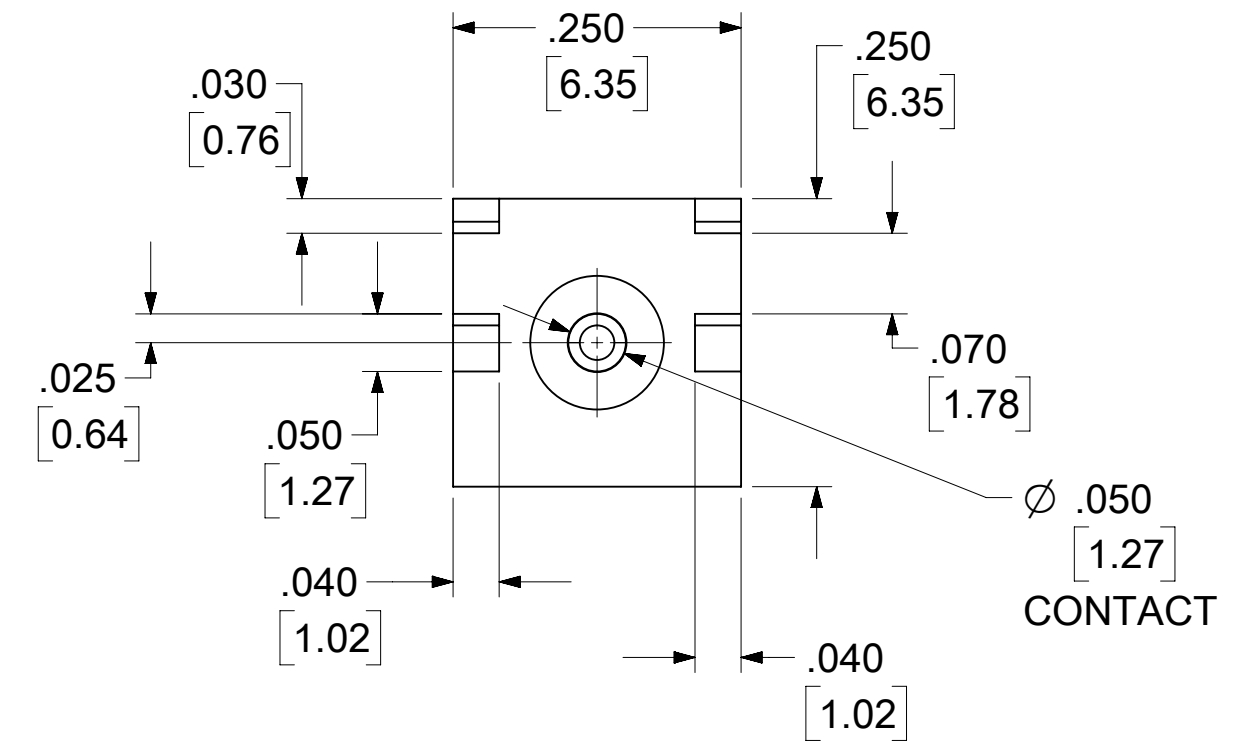
BODY: BRASS
PLATED GOLD

CENTER CONTACT: BRASS
PLATED GOLD

INSULATOR: TEFLON

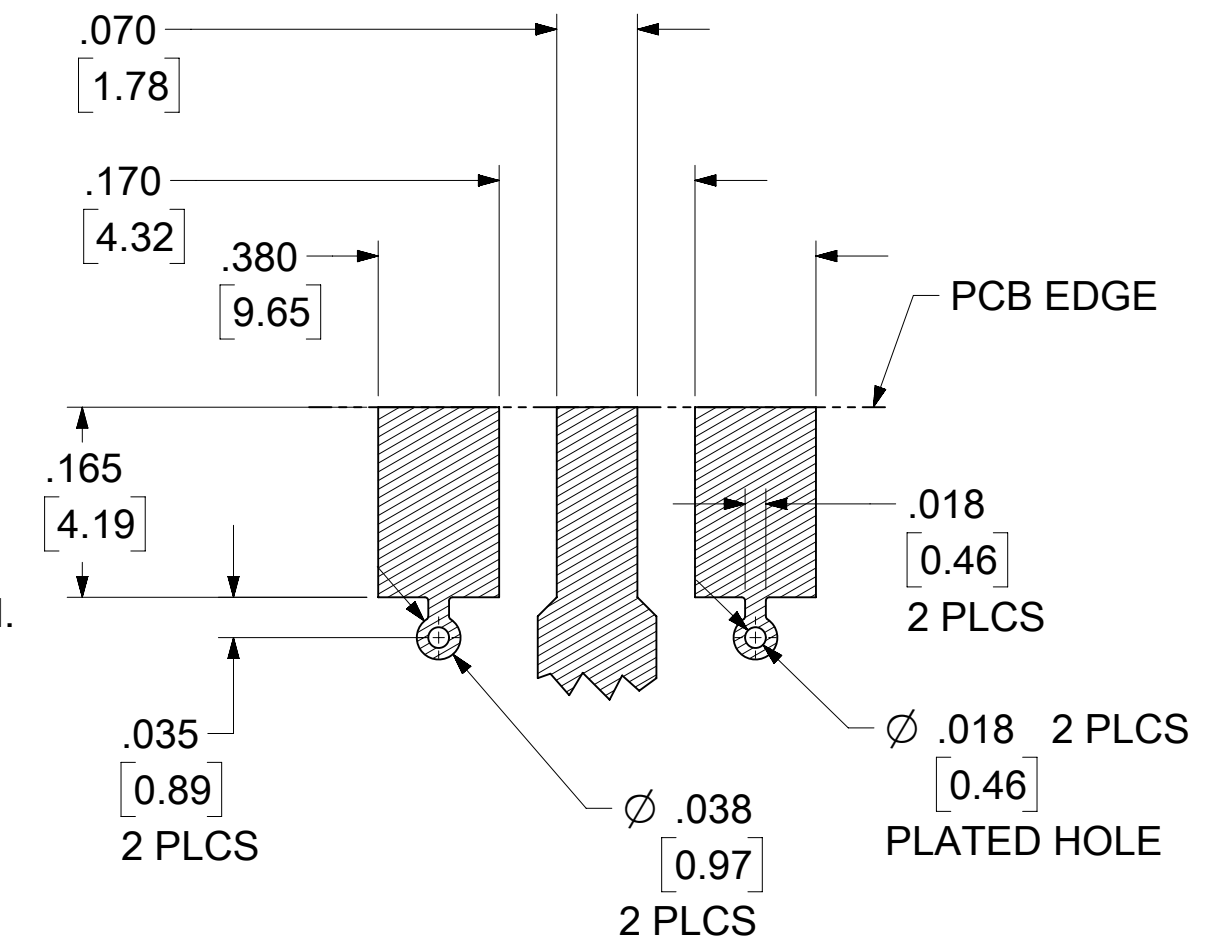


RECOMMENDED
PANEL CUTOUT



RECOMMENDED PAD LAYOUT

BASE WIDTH: .250 (6.35) NOM.
BOARD THICKNESS: .062 (1.57) NOM.
BOARD MATERIAL: FR4 W/1.0 OZ
COPPER BOTH SIDES



73251-3150	BY TRAY PER P/N 89542-0040
PART NO.	PACKAGING

SEE SHEET 2 FOR OTHER PART NUMBERS

FUNCTIONAL SYMBOLS $\frac{F}{A} = 0$ $\frac{F}{C} = 0$ $\frac{F}{P} = 0$ DIVISIONAL SYMBOLS 4 PLACES ± 3 PLACES ± 2 PLACES ± 1 PLACE ± 0 PLACES ±	THIS DRAWING CONTAINS INFORMATION THAT IS PROPRIETARY TO MOLEX ELECTRONIC TECHNOLOGIES, LLC AND SHOULD NOT BE USED WITHOUT WRITTEN PERMISSION		CURRENT REV DESC:							
	DIMENSION UNITS	SCALE	EC NO: 703163					DOCUMENT NUMBER	DOC TYPE	DOC PART
	IN/MM	NTS	DRWN: CWEI02		SD-73251-315	PSD	001	A2		
	GENERAL TOLERANCES (UNLESS SPECIFIED)		CHK'D: YCHENG		PRODUCT CUSTOMER DRAWING					
ANGULAR TOL ± 2.0°		APPR: YCHENG		DOCUMENT NUMBER				DOC TYPE	DOC PART	REVISION
4 PLACES ±		INITIAL REVISION:		SD-73251-315				PSD	001	A2
3 PLACES ±		DRWN: AROBERTSON		MATERIAL NUMBER				CUSTOMER	SHEET NUMBER	
2 PLACES ±		APPR: JWIENER		SEE TABLE				GENERAL MARKET	1 OF 2	
1 PLACE ±		DRAFT WHERE APPLICABLE MUST REMAIN WITHIN DIMENSIONS		THIRD ANGLE PROJECTION	DRAWING	SERIES				
0 PLACES ±		C-SIZE		73251						

MATERIALS AND FINISHES:

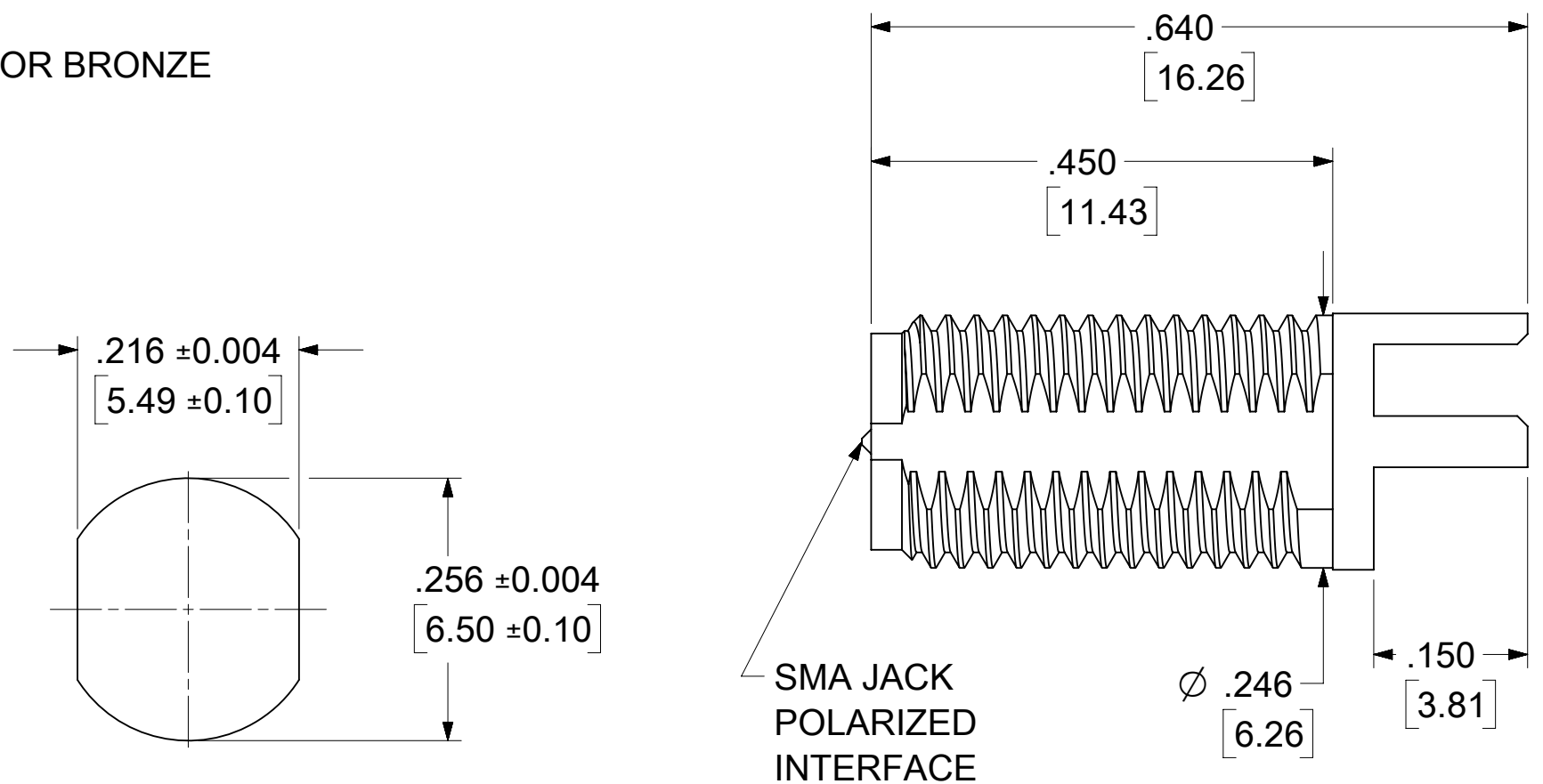
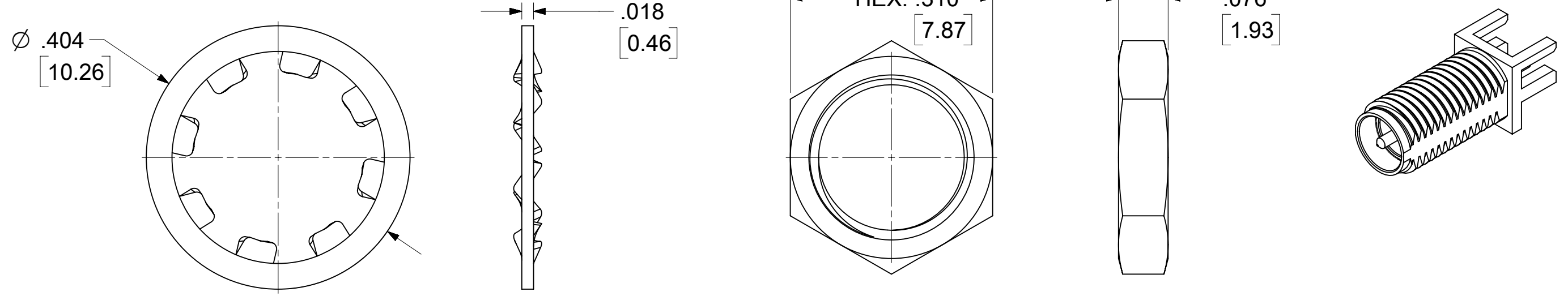
**BODY: BRASS
PLATED GOLD**

**CENTER CONTACT: BRASS
PLATED GOLD**

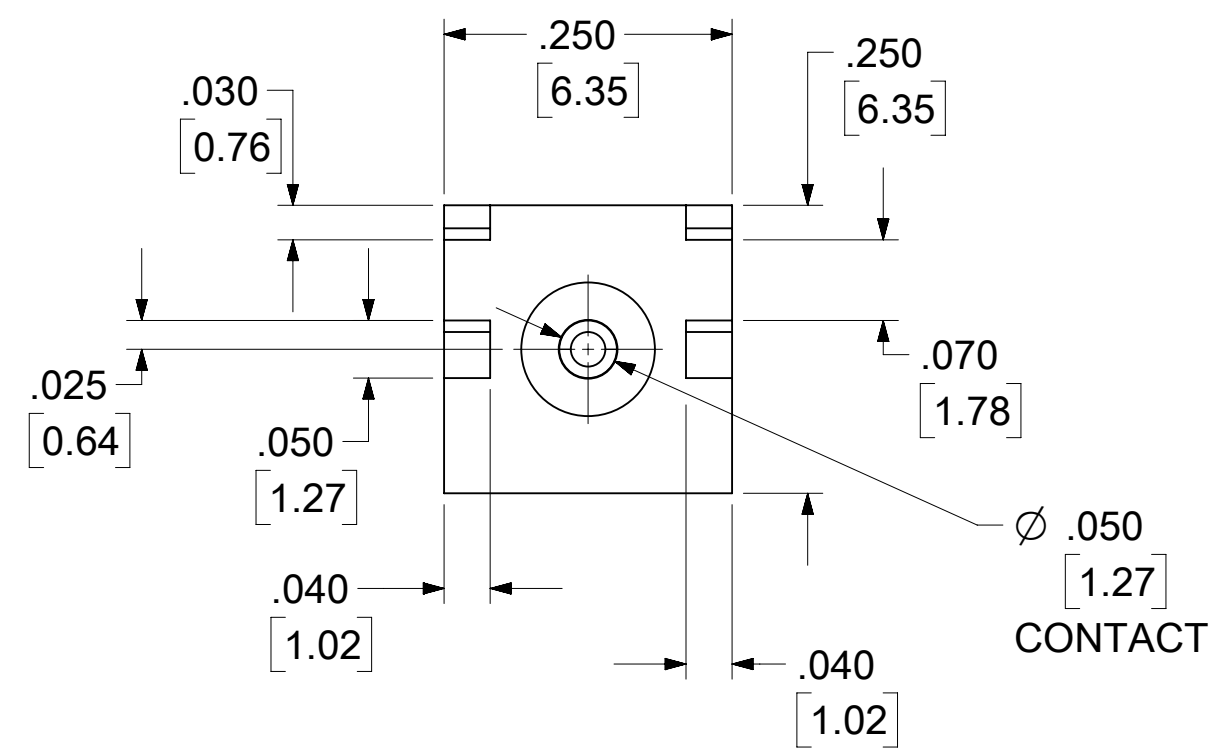
INSULATOR: TEFLON

**JAM NUT: BRASS
PLATED GOLD**

**LOCK WASHER: PHOSPHOR BRONZE
PLATED GOLD**

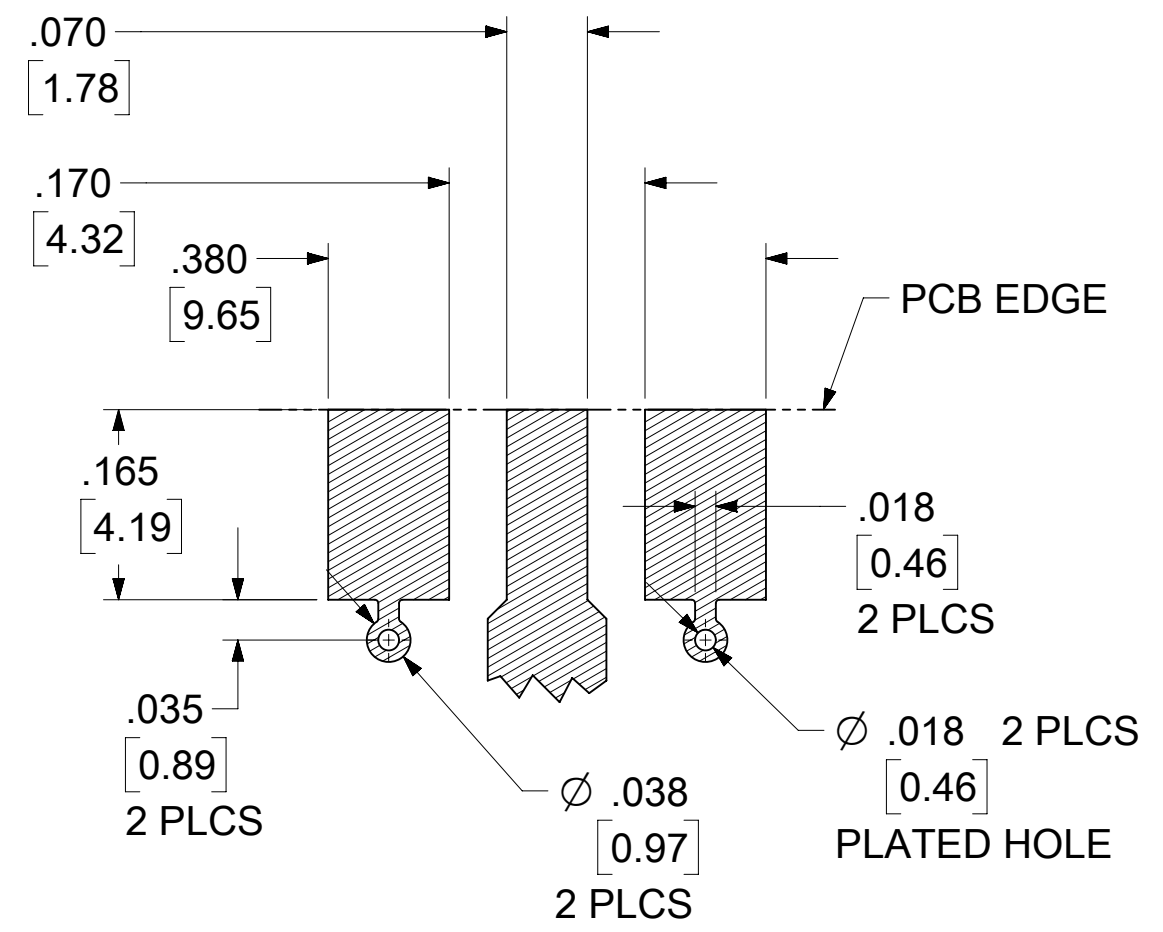


RECOMMENDED
PANEL CUTOUT



RECOMMENDED PAD LAYOUT

BASE WIDTH: .250 (6.35) NOM.
BOARD THICKNESS: .062 (1.57) NOM.
BOARD MATERIAL: FR4 W/1.0 OZ
COPPER BOTH SIDES



73251-3152	ONE PER BAG, PER P/N 89542-0088
73251-3151	BY TRAY, PER P/N 89542-0040
PART NO.	PACKAGING

FUNCTIONAL SYMBOLS $\frac{F}{A} = 0$ $\frac{F}{C} = 0$ $\frac{F}{P} = 0$	THIS DRAWING CONTAINS INFORMATION THAT IS PROPRIETARY TO MOLEX ELECTRONIC TECHNOLOGIES, LLC AND SHOULD NOT BE USED WITHOUT WRITTEN PERMISSION		CURRENT REV DESC:				
	DIMENSION UNITS	SCALE	EC NO: 703163				
	IN/MM	NTS	DRWN: CWEI02 2022/04/12				
	GENERAL TOLERANCES (UNLESS SPECIFIED)		CHK'D: YCHENG 2022/04/15				
DIVISIONAL SYMBOLS 4 PLACES ± 3 PLACES ± 2 PLACES ± 1 PLACE ± 0 PLACES ±	ANGULAR TOL ± 2.0°		APPR: YCHENG 2022/04/15		PRODUCT CUSTOMER DRAWING DOCUMENT NUMBER: SD-73251-315 DOC TYPE: PSD DOC PART: 001 REVISION: A2		
	INITIAL REVISION:		2007/01/31				
	DRWN: AROBERTSON		2010/10/27				
	APPR: JWIENER						
DRAFT WHERE APPLICABLE MUST REMAIN WITHIN DIMENSIONS		THIRD ANGLE PROJECTION	DRAWING	SERIES	MATERIAL NUMBER	CUSTOMER	SHEET NUMBER
			C-SIZE	73251	SEE TABLE	GENERAL MARKET	2 OF 2