

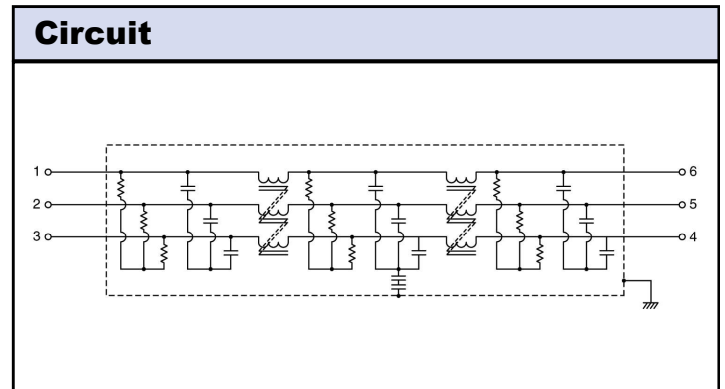
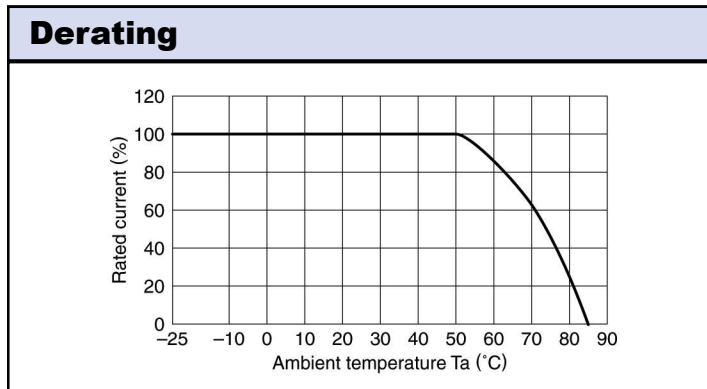
## 6A to 60A, 500VAC EMI Filters

### Features

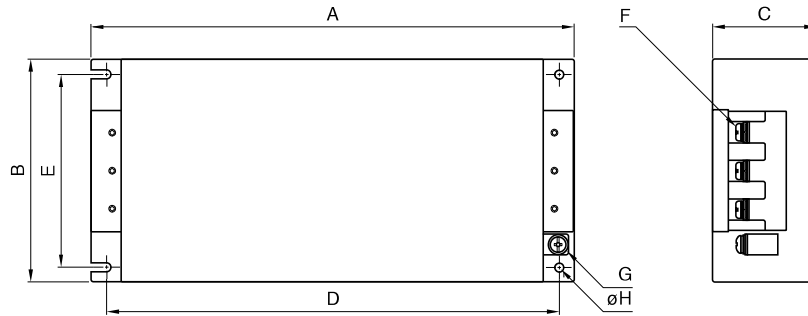
- ◆ High Voltage Pulse Attenuation
- ◆ Two Stage Filter for Better Performance
- ◆ Low Profile
- ◆ Conforms to UL and EN Safety Agency Certifications



Specifications						
Model		RTMN-5006	RTMN-5010	RTMN-5020	RTMN-5030	RTMN-5040
Rated Voltage (AC, DC)	V	500V				
Rated Current	A	6A	10A	20A	30A	40A
DC Resistance (total)	mΩ	290	120	50	26	20
Model		RTMN-5050	RTMN-5060			
Rated Voltage (AC, DC)	V	500V Three phase				
Rated Current	A	50A	60A			
DC Resistance (total)	mΩ	14	10			
Withstand Voltage	V	Terminals to Case: 2500VAC (1 Minute)				
Isolation Resistance	MΩ	100MΩ minimum (500VDC, 1 Minute)				
Leakage Current (max)	A	2.5mA at 250VAC 60Hz, 5mA at 500VAC 60Hz				
Operating Temperature	°C	-25 to +85°C (Derate above 50°C, see derating curve)				
Storage Temperature	°C	-25 to +85°C				
Safety Agency Certifications	-	UL1283 & EN60939				
Weight	g	670g to 12500g model dependant (See weights chart on website)				
Warranty	yr	5 Year				



**Outline Drawing**



Dimensions in mm

Part No.	A	B	C	D	E	F	G	H	Recommended clamping torque
RTMN-5006	210	95	50	195	78	M4	M4	4.5	M4 1.27N m M5 2.5N m
RTMN-5010									
RTMN-5020	240	105	55	225	85	M4	M4	4.5	
RTMN-5030									
RTMN-5040									
RTMN-5050	300	128	68	280	102	M5	M4	5.5	
RTMN-5060									

For Additional Information, please visit [us.tdk-lambda.com/lp/products/r-series.htm](http://us.tdk-lambda.com/lp/products/r-series.htm)

