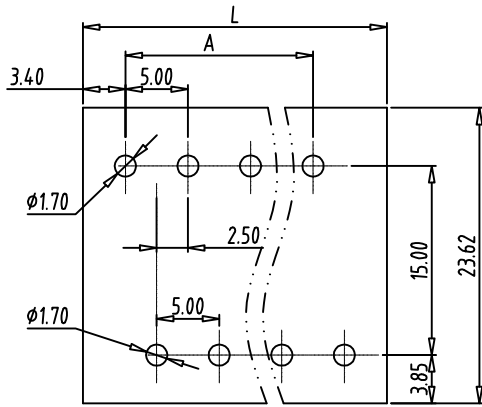
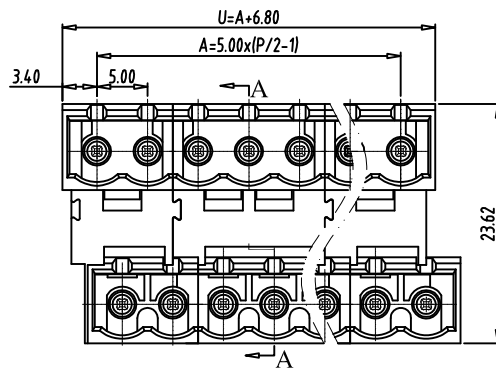
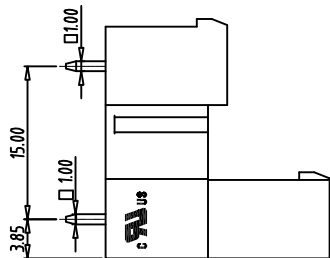
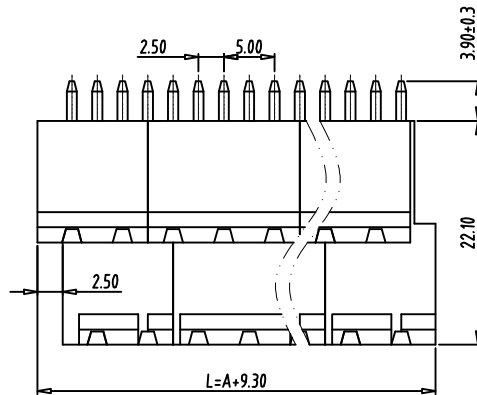


Transfer or duplication of this document as well as the utilisation or communication of its content are not permitted unless express consent is granted. Violations give rise to claims for damages. All rights reserved in case of patent, utility model or design patent registrations.



PCB LAYOUT



Technical data

- 1.Nominal voltage: 300V/16A
PITCH:5.0mm
- 2.Insulation Withstanding Voltage:
AC 2000V/MIN
- 3.Insulation Resistance:
500M Ω or more at DC500V
- 4.Operating temperature range:-40°C~115°C
- 5.Soldering temperature range:250°C/5sec
- 6.Safety approval:
- 7.RoHS Compliance

Part No.: **OSTVFX7150**

| No. of Poles | COLOR |
|--------------|---------------------|
| 04 4 Poles | 0: Black |
| | 2: Red |
| 48 48 Poles | 3: Orange |
| | 4: Yellow |
| | 5: Green (Standard) |
| | 6: Blue |
| | 8: Grey |

Nonstandard colors
Mins could apply

| | | | |
|------|--------------|--------------|---------------------|
| 2 | PIN | COPPER | TIN PLATED |
| 1 | BODY | PA66 UL94V-0 | ALL COLOR |
| ITEM | NAME OF PART | MATERIAL | NOTES |
| DWG | Marvin Zhang | DATE | 2019.01.15 |
| CHK. | Marvin Zhang | DATE | 2019.01.15 |
| APP. | | DATE | |
| | | UNITS: | MM |
| | | SCALE: | NONE 4:1 (:) |
| | | REV: | A |
| | | TITLE: | OSTVF Series 5.0 MM |
| | | PART NO.: | OSTVFX7150 |
| | | DWG NO.: | OSTVFX7150.dwg |
| | | | Closed Vertical |
| | | | X.XX ±0.10 |
| | | | X° ±1° |

| B | △ | DESCRIPTION | CHK. | DATE |
|-----|------|-------------|------|------|
| REV | SIGN | | | |



ON-SHORE TECHNOLOGY, INC.

