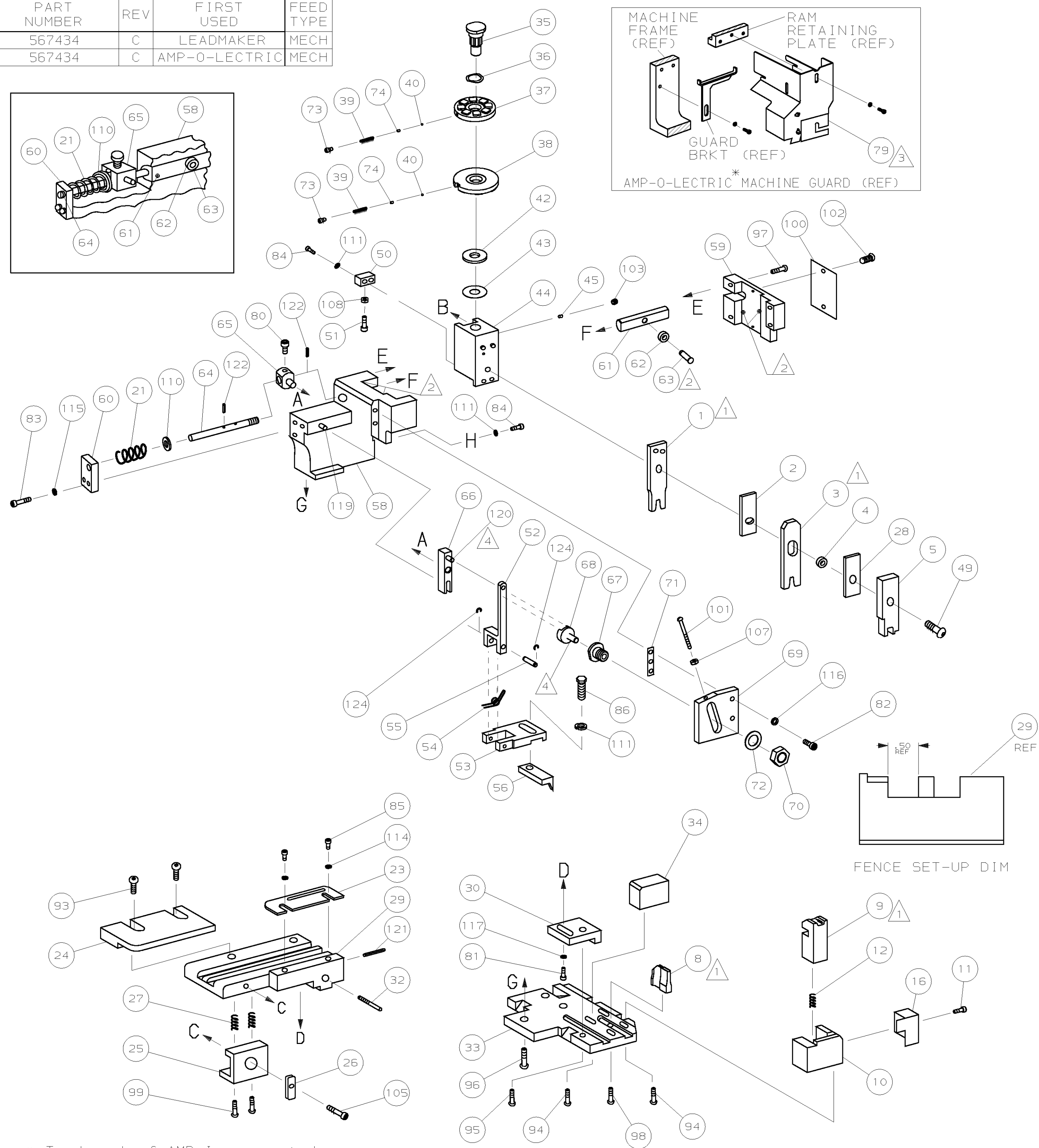
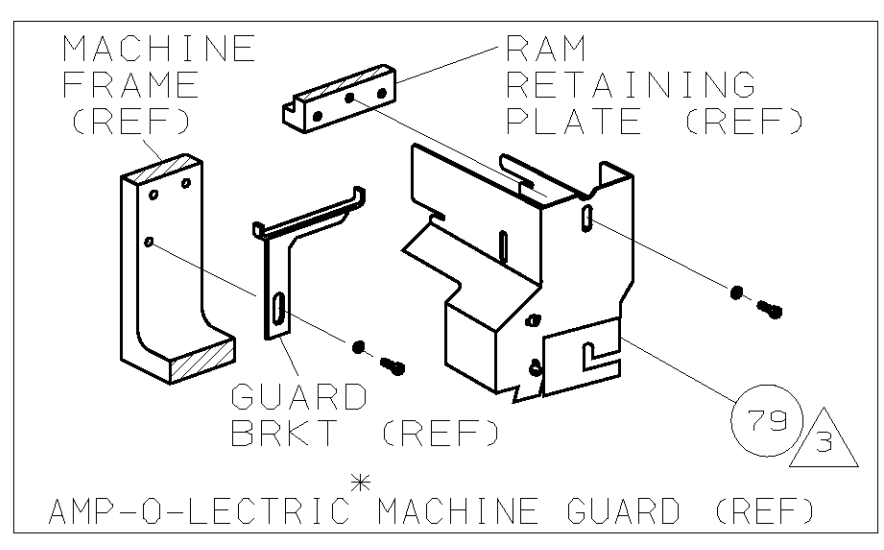
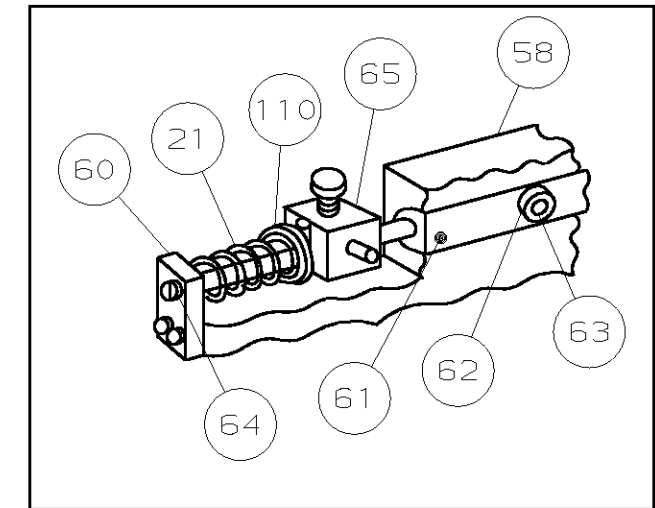
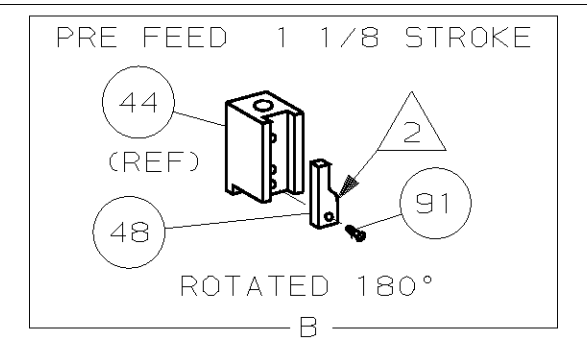
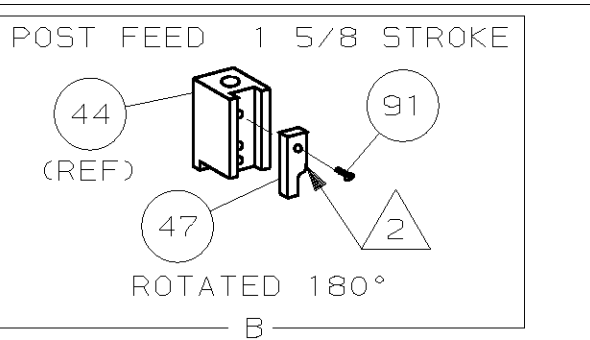


PART NUMBER	REV	FIRST USED	FEED TYPE
567434	C	LEADMAKER	MECH
567434	C	AMP-O-LECTRIC	MECH



FENCE SET-UP DIM

* Trademark of AMP Incorporated



CRIMPING DATA

PAD LTR	CRIMP HEIGHT	WIRE SIZE	STRIP LENGTH
A	.088	12	
B	.076	14	
C	NOT USED		
D	NOT USED		

CRIMP	SIZE	TYPE	FEED	APPL INST
WIRE	.130	F	REC .772	AI 8040
INSUL	.180	F	TAB .586	

WIRE RANGE	INSULATION RANGE	SET UP GAGE	LAYOUT
14-12	.102-.161	458637-1	L1438

TERM APPL SPEC:	114-5123
RECEPTACLE	175042-1
TAB CONTACT	175048-1
TERMINAL NAME:	.187 SERIES CONN REC & TAB

- 1 RECOMMENDED SPARE PARTS.
- 2 GREASE LIGHTLY.
- 3 GUARD MUST BE IN PLACE WHEN OPERATING APPLICATOR IN AMP-O-LECTRIC MACHINE.
- 4 LUBRICATE DAILY USING NO. 20 MACHINE OIL.
- 5. ITEMS WITH QTY OF REF SPECIFIED (EXCEPT ITEM 79) ARE USED ON ITEM 46.
- 6 FEED ADJUSTMENT REQUIRED WHEN GOING FROM REC TO TAB

QTY	REF	U/M	DWG SIZE	PART NO	DESCRIPTION	ITEM NO
130						
129						
128						
127						
126						
125						
124	REF	REF	-	A	21045-3 RING,RET "C" (Ø.187)FD FING PIN	
123						
122	REF	REF	-	A	5-21028-1 PIN,SLT SPR (Ø.125x.50)ADJ ROD	
121	1	1	-	A	4-21028-0 PIN,SLT SPR (Ø.093x.75)ST GDE PL	
120	REF	REF	-	A	1-21030-1 PIN,DOWEL (Ø.187x.50)LEVER	
119	REF	REF	-	A	1-21030-6 PIN,DOWEL (Ø.187x1.25)HOUSING	
118	1	1	-	A	21024-5 WASHER, LOCK (#10)ADJ BLOCK	
117	REF	REF	-	A	21024-5 WASHER,LOCK (#10)ADJ PLATE	
116	REF	REF	-	A	21024-5 WASHER,LOCK (#10)FEED GDE ROD	
115	2	2	-	A	21024-2 WASHER,LOCK (#4)FRONT STP GUIDE	
114						
113						
112						
111	4	4	-	A	21024-4 WASHER,LOCK (#8)STRIPPER	
110	REF	REF	-	A	21899-4 WASHER,FLAT (Ø5/16) SCREW ADJ	
109						
108	1	1	-	A	21018-5 NUT, HEX (NO. 6)HOLDDOWN	
107	REF	REF	-	A	21018-5 NUT, HEX (6-32)FEED ADJ	
106						
105	1	1	-	A	22353-8 SCR,SHLD (Ø.187x.25)DRAG LEVER	
104	1	-	-	A	456567-1 SCR,SHLD (Ø.188x.12)STRIP	
103	1	1	-	A	21009-2 SCR,SKT SET (1/4-20x.25 LW)RAM	
102	2	2	-	A	21017-2 SCR,DRIVE (#2x.19)ID PLATE	
101	REF	REF	-	A	6-23715-5 SCR,PAN HD (6-32x1.50)FEED ADJ	
100	1	1	-	B	461264-1 PLATE, IDENTIFICATION	
99	2	2	-	A	2-21002-9 SCR,BHC (10-32x.75)DRAG	
98	1	1	-	A	22733-8 SCR,BHC (8-32x.38 LW)ANVIL	
97	REF	REF	-	A	2-21002-9 SCR,BHC (10-32x.75)CAP	
96	REF	REF	-	A	2-22733-8 SCR,BHC (1/4-20x.62)HOUSING	
95	REF	REF	-	A	2-21002-7 SCR,BHC (10-32x.50)56 ADJ BLOCK	
94	4	4	-	A	2-21002-2 SCR,BHC (8-32x.50)SHEAR	
93	2	2	-	A	2-21002-1 SCR,BHC (8-32x.38)R STRIP GUIDE	
92						
91	1	1	-	A	1-21002-7 SCR,BHC (6-32x.38)CAM	
90						
89						
88						
87						
86	1	1	-	A	2-22603-0 SCR,HEX HD (8-32x.31)FEED FINGER	
85	2	2	-	A	1-21000-3 SCR,SHC (4-40x.25)F ST GUIDE	
84	3	3	-	A	2-21000-7 SCR,SHC (8-32x.50)STRIPPER	
83	REF	REF	-	A	3-21000-7 SCR,SHC (10-32x.75)FEED ROD GD	
82	REF	REF	-	A	3-21000-6 SCR,SHC (10-32x.62)FD ADJ BLK	
81	1	1	-	A	3-21000-4 SCR,SHC (10-32x.38)56 ADJ BL	
80	REF	REF	-	A	3-21000-4 SCR,SHC (10-32x.38)PIVOT BLK	
79	REF	-	-	B	455749-1 GUARD, WINDOW	
78						
77						
76						
75						
74	2	2	-	A	690603-1 SPRING, ASSIST	
73	2	2	-	A	23030-1 SCR,SHC (6-32x.25)CP DISC	
72	REF	REF	-	A	458109-1 WASHER, SPECIAL	
71	REF	REF	-	A	690517-1 SPACER	

QTY	REF	U/M	DWG SIZE	PART NO	DESCRIPTION	ITEM NO
70	REF	REF	-	B	22594-8 NUT,HEX (1/2-20)	
69	REF	REF	-	B	240628-1 PLATE, ADJUSTMENT	
68	REF	REF	-	B	240626-1 SHAFT, PIVOT	
67	REF	REF	-	B	240633-1 BUSHING	
66	REF	REF	-	A	455680-1 LEVER, INTERMEDIATE	
65	REF	REF	-	B	240629-1 BLOCK, PIVOT	
64	REF	REF	-	A	240632-2 SCREW, ADJ FEED ROD	
63	REF	REF	-	B	240659-3 PIN, CAM ROLLER	
62	REF	REF	-	B	240658-1 ROLLER, CAM	
61	REF	REF	-	B	454398-2 ROD, FEED	
60	REF	REF	-	A	454178-1 GUIDE, FEED ROD	
59	REF	REF	-	C	454220-1 CAP, RAM	
58	REF	REF	-	D	454485-1 HOUSING	
57						
56	1	1	-	B	690542-2 PAWL, FEED	
55	REF	REF	-	B	240624-1 PIN, FEED FINGER	
54	REF	REF	-	B	691499-1 SPRING, FEED FINGER	
53	REF	REF	-	B	690541-1 HOLDER, FEED FINGER	
52	REF	REF	-	A	455679-1 LEVER, TERMINAL FEED ARM	
51	1	1	-	A	811242-2 BUMPER, HOLDDOWN	
50	1	1	-	A	690753-1 SPACER, TONKER	
49	1	1	-	A	7-21002-9 BOLT, CRIMPER (5/16x1.00)	
48	1	-	-	B	690602-5 CAM, PRE-FEED 1 1/8 ST	
47	-	1	-	B	690501-4 CAM, POST-FEED 1 5/8 ST	
46	1	1	-	B	459456-1 APPLICATOR, BASIC (SUBASSY)	
45	1	1	-	A	690191-1 PLUG, NYLON	
44	1	1	-	C	455673-1 RAM	
43	1	1	-	A	690125-1 WASHER, LAMINATED	
42	1	1	-	A	690124-1 WASHER, RAM	
41						
40	2	2	-	A	23241-6 BALL, STEEL	
39	2	2	-	A	690170-1 SPRING, COMPRESSION	
38	1	1	-	C	690142-1 DISC, INSULATION	
37	1	1	-	B	1-692155-2 DISC, WIRE	
36	1	1	-	A	22480-5 WASHER, SPRING	
35	1	1	-	B	690212-1 POST, RAM	
34	1	1	-	B	690786-1 SUPPORT, TERMINAL	
33	REF	REF	-	D	455675-1 PLATE, BASE	
32	1	1	-	A	690432-3 SCREW, ADJUSTMENT	
31						
30	REF	REF	-	B	455689-1 BLOCK, STRIP GUIDE ADJ	
29	1	1	-	C	843869-1 PLATE, STRIP GUIDE	
28	1	1	-	C	1-455888-6 SPACER, FRONT SHEAR DEP	
27	2	2	-	A	1-22284-0 SPRING, DRAG	
26	1	1	-	B	240793-1 LEVER, DRAG RELEASE	
25	1	1	-	B	240792-1 DRAG, TERMINAL	
24	1	1	-	D	9-690504-2 GUIDE, STRIP (REAR)	
23	1	1	-	A	690438-1 GUIDE, STRIP (FRONT)	
22	-	1	-	B	690472-2 STRIPPER	
21	REF	REF	-	A	4-22284-9 SPRING, FEED RETURN	
20	1	-	-	B	458950-1 STRIPPER, WIRE STOP	
19	1	-	-	B	458949-1 STRIPPER	
18						
17						
16	1	1	-	B	691667-1 GUARD, CHIP (FRONT)	
15						
14						
13						
12	1	1	-	A	5-22280-0 SPRING, SHEAR	
11	1	1	-	B	690461-1 STOP, SHEAR	
10	1	1	-	C	690459-8 HOLDER, SHEAR (FRONT)	
9	1	1	-	C	454276-1 SHEAR, FLOAT (FRONT)	
8	1	1	-	C	5-683403-5 ANVIL	
7						
6						
5	1	1	-	C	1-455889-4 DEPRESSOR, SHEAR (FRONT)	
4	1	1	-	B	238011-4 SPACER, BLOCK CRIMPER	
3	1	1	-	C	9-456134-7 CRIMPER, INSULATION	
2	1	1	-	C	455888-5 SPACER, CRIMPER	
1	1	1	-	C	456410-3 CRIMPER, WIRE	