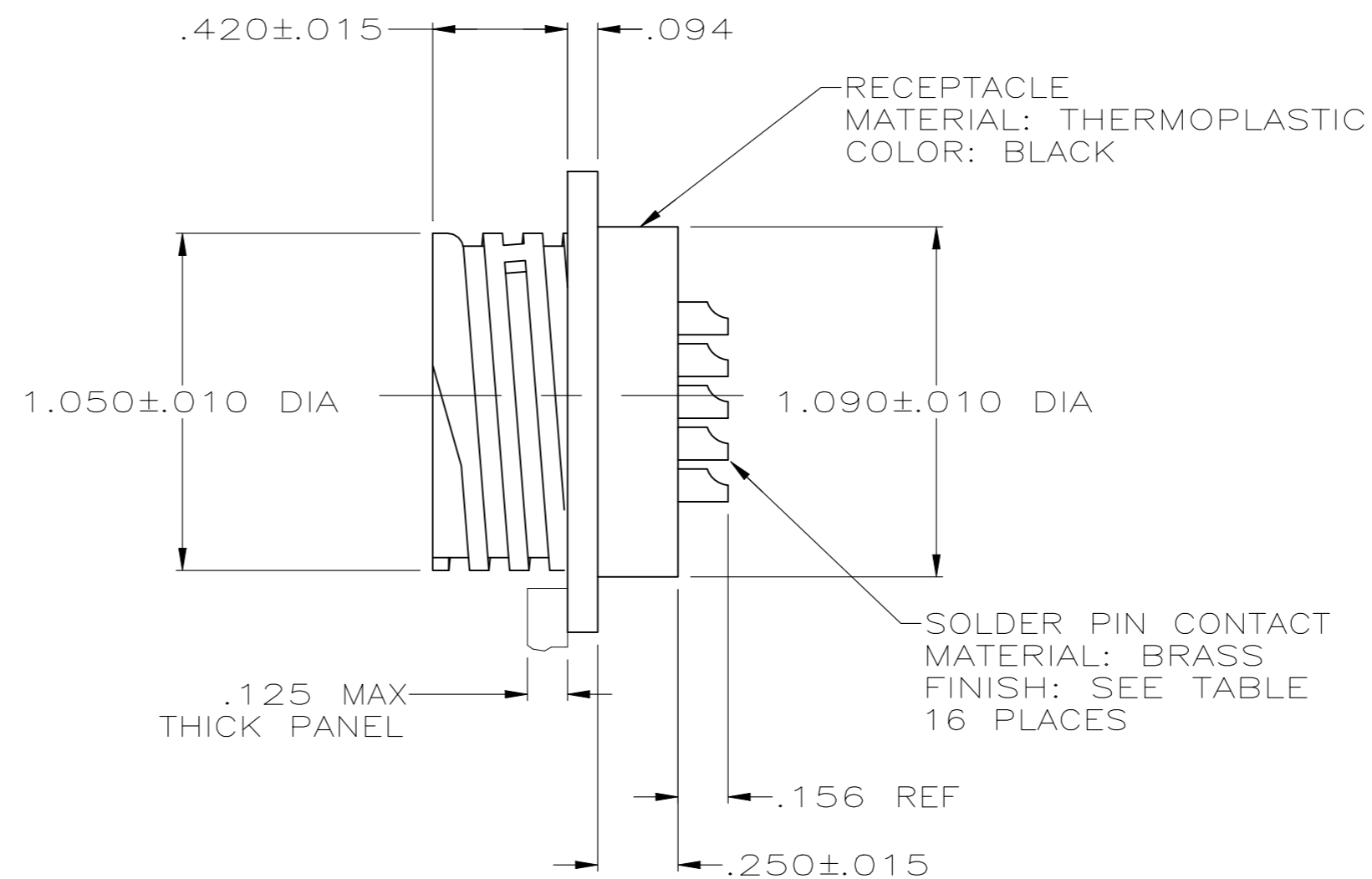
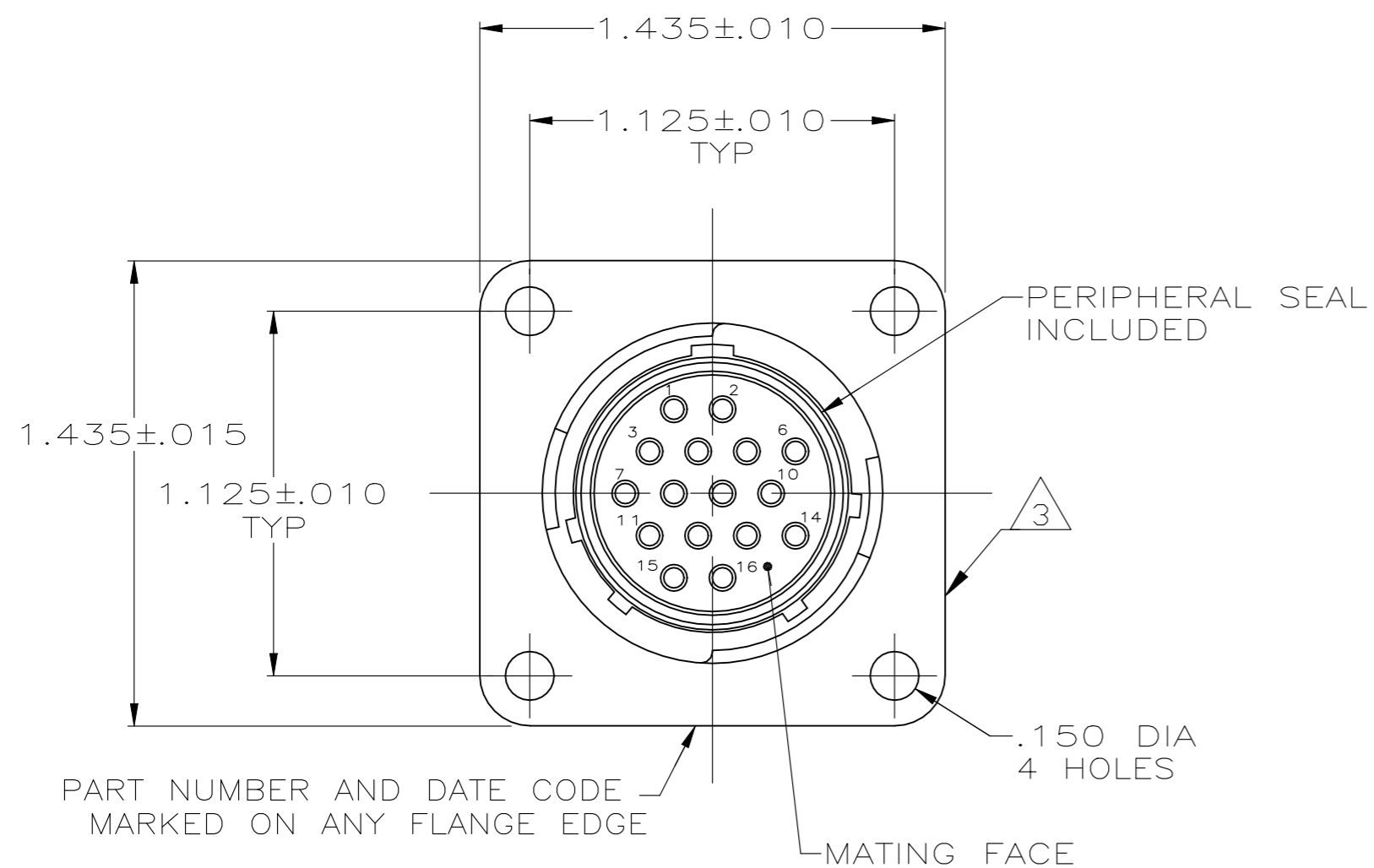


| REVISIONS |     |                           |           |     |      |
|-----------|-----|---------------------------|-----------|-----|------|
| P         | LTR | DESCRIPTION               | DATE      | DWN | APVD |
| E         |     | REVISED PER ECO-21-006948 | 27OCT2021 | RK  | MZ   |



- 1 GOLD PER MIL-G-45204 OVER NICKEL PER QQ-N-290.
- 2 TIN PER MIL-T-10727 OVER COPPER PER MIL-C-14550.
- 3 TE LOGO LOCATED ON ANY FLNGE EDGE

|                |             |
|----------------|-------------|
| 2              | 206404-2    |
| 1              | 206404-1    |
| CONTACT FINISH | PART NUMBER |

|   |   |                              |   |                    |       |   |   |       |   |   |       |   |      |       |   |   |        |   |   |                           |            |                    |
|---|---|------------------------------|---|--------------------|-------|---|---|-------|---|---|-------|---|------|-------|---|---|--------|---|---|---------------------------|------------|--------------------|
| THIS DRAWING IS A CONTROLLED DOCUMENT.  |   | DWN 5-21-91<br>J GALLUCCI BG | TE Connectivity   |                    |       |   |   |       |   |   |       |   |      |       |   |   |        |   |   |                           |            |                    |
| DIMENSIONS: INCHES  |   | CHK 4-9-92<br>W.G.LENKER     |   |                    |       |   |   |       |   |   |       |   |      |       |   |   |        |   |   |                           |            |                    |
| TOLERANCES UNLESS OTHERWISE SPECIFIED:  |   | APVD 4-9-92<br>C.ROHDE       | NAME<br>RECEPTACLE ASSEMBLY W/SOLDER CUP CONTACTS,<br>STD SEX, SERIES 1, 17-16, CPC |                    |       |   |   |       |   |   |       |   |      |       |   |   |        |   |   |                           |            |                    |
| <table border="1"> <tr><td>0 PLC</td><td>±</td><td>-</td></tr> <tr><td>1 PLC</td><td>±</td><td>-</td></tr> <tr><td>2 PLC</td><td>±</td><td>-</td></tr> <tr><td>3 PLC</td><td>±</td><td>.005</td></tr> <tr><td>4 PLC</td><td>±</td><td>-</td></tr> <tr><td>ANGLES</td><td>±</td><td>-</td></tr> </table> |   | 0 PLC                        | ±   | -                  | 1 PLC | ± | - | 2 PLC | ± | - | 3 PLC | ± | .005 | 4 PLC | ± | - | ANGLES | ± | - | PRODUCT SPEC<br>108-10024 | SIZE<br>A2 | CAGE CODE<br>00779 |
| 0 PLC   | ± | -                            |   |                    |       |   |   |       |   |   |       |   |      |       |   |   |        |   |   |                           |            |                    |
| 1 PLC   | ± | -                            |   |                    |       |   |   |       |   |   |       |   |      |       |   |   |        |   |   |                           |            |                    |
| 2 PLC   | ± | -                            |   |                    |       |   |   |       |   |   |       |   |      |       |   |   |        |   |   |                           |            |                    |
| 3 PLC   | ± | .005                         |   |                    |       |   |   |       |   |   |       |   |      |       |   |   |        |   |   |                           |            |                    |
| 4 PLC   | ± | -                            |   |                    |       |   |   |       |   |   |       |   |      |       |   |   |        |   |   |                           |            |                    |
| ANGLES  | ± | -                            |   |                    |       |   |   |       |   |   |       |   |      |       |   |   |        |   |   |                           |            |                    |
| MATERIAL<br>SEE CALLOUT   |   | FINISH<br>SEE TABLE          | DRAWING NO<br>C=206404  | RESTRICTED TO<br>- |       |   |   |       |   |   |       |   |      |       |   |   |        |   |   |                           |            |                    |
| CUSTOMER DRAWING  |   |                              | SCALE<br>2:1  | SHEET<br>1 of 1    |       |   |   |       |   |   |       |   |      |       |   |   |        |   |   |                           |            |                    |
|   |   |                              | REV<br>E  |                    |       |   |   |       |   |   |       |   |      |       |   |   |        |   |   |                           |            |                    |