

# Housing - HC-B 24-TMQ-H-M1PG21G - 1460255

Please be informed that the data shown in this PDF Document is generated from our Online Catalog. Please find the complete data in the user's documentation. Our General Terms of Use for Downloads are valid (<http://phoenixcontact.com/download>)



HEAVYCON B24 sleeve housing, with double locking latch, height: 72 mm, with 1 x Pg21 screw connection, straight cable outlet

RoHS

## Key Commercial Data

Packing unit	10 pc
GTIN	
GTIN	4046356794404

## Technical data

### Dimensions

Height	76 mm
Width	43 mm
Length	120 mm
Wrench size, union nut	28 mm
External cable diameter	10 mm ... 19 mm

### Ambient conditions

Degree of protection of housing (IP)	IP65
Ambient temperature (operation)	-40 °C ... 125 °C

### General

Note	For contact inserts HC-B24, BB46, BBB64, D64, DD108, M
Size	B24
Housing type	Sleeve housing
Color	gray aluminum
Locking type	with double locking latch
No. of cable outlets	1
Cable outlet	straight
Screw connection	with

# Housing - HC-B 24-TMQ-H-M1PG21G - 1460255

## Technical data

### General

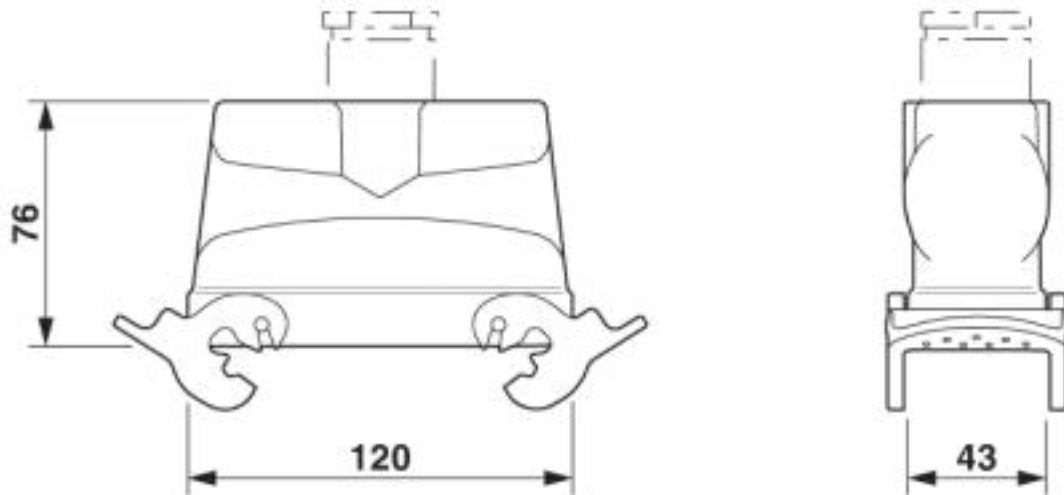
Type of the screw connection	1x Pg21
Housing material	Aluminum die-cast
Housing surface material	Powder-coated, gray
Cable gland material	Nickel-plated brass
Cable seal material	NBR
Material lock	Stainless steel, handle: PA
Material grip body interlock	PA

### Environmental Product Compliance

China RoHS	Environmentally friendly use period: unlimited = EFUP-e
	No hazardous substances above threshold values

## Drawings

Dimensional drawing



Dimensional drawing

## Approvals

### Approvals

Approvals

EAC

Ex Approvals

## Housing - HC-B 24-TMQ-H-M1PG21G - 1460255

### Approvals

#### Approval details

EAC		RU C- DE.AI30.B.01102
-----	---	--------------------------

Phoenix Contact 2019 © - all rights reserved  
<http://www.phoenixcontact.com>

PHOENIX CONTACT GmbH & Co. KG  
Flachsmarktstr. 8  
32825 Blomberg  
Germany  
Tel. +49 5235 300  
Fax +49 5235 3 41200  
<http://www.phoenixcontact.com>