

Patch cable - NBC-R4AC/0,5-93K/R4AC - 1422683

Please be informed that the data shown in this PDF Document is generated from our Online Catalog. Please find the complete data in the user's documentation. Our General Terms of Use for Downloads are valid (<http://phoenixcontact.com/download>)



Patch cable, degree of protection: IP20, number of positions: 4

Sercos III patch cable



Key Commercial Data

Packing unit	1 pc
GTIN	
GTIN	4055626311524

Technical data

General data

Number of positions	4
Degree of pollution	1
Rated voltage (III/3)	72 V (DC)

Characteristics head 1

Color	black
Material (component)	CuSn (Contact)
	Ni/Au (Contact surface)
	PA (Contact carriers)
	PA (Housing)
Insertion/withdrawal cycles	≥ 750

Standards and Regulations

Flammability rating according to UL 94	V0
--	----

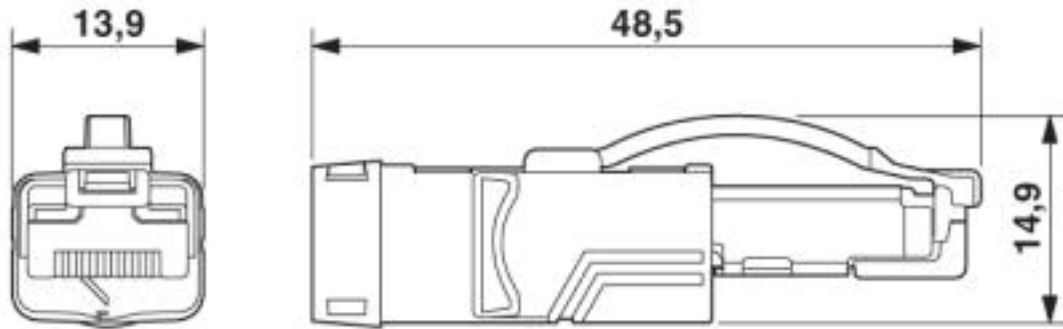
Environmental Product Compliance

China RoHS	Environmentally friendly use period: unlimited = EFUP-e
	No hazardous substances above threshold values

Patch cable - NBC-R4AC/0,5-93K/R4AC - 1422683

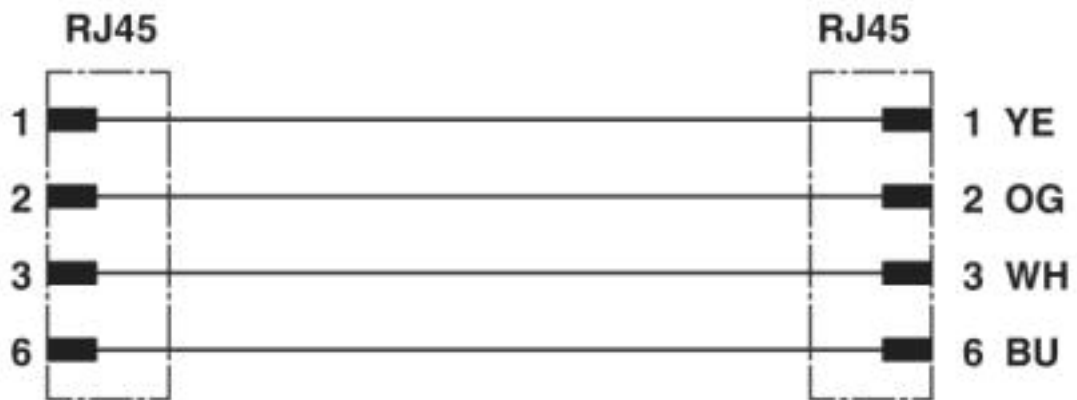
Drawings

Dimensional drawing



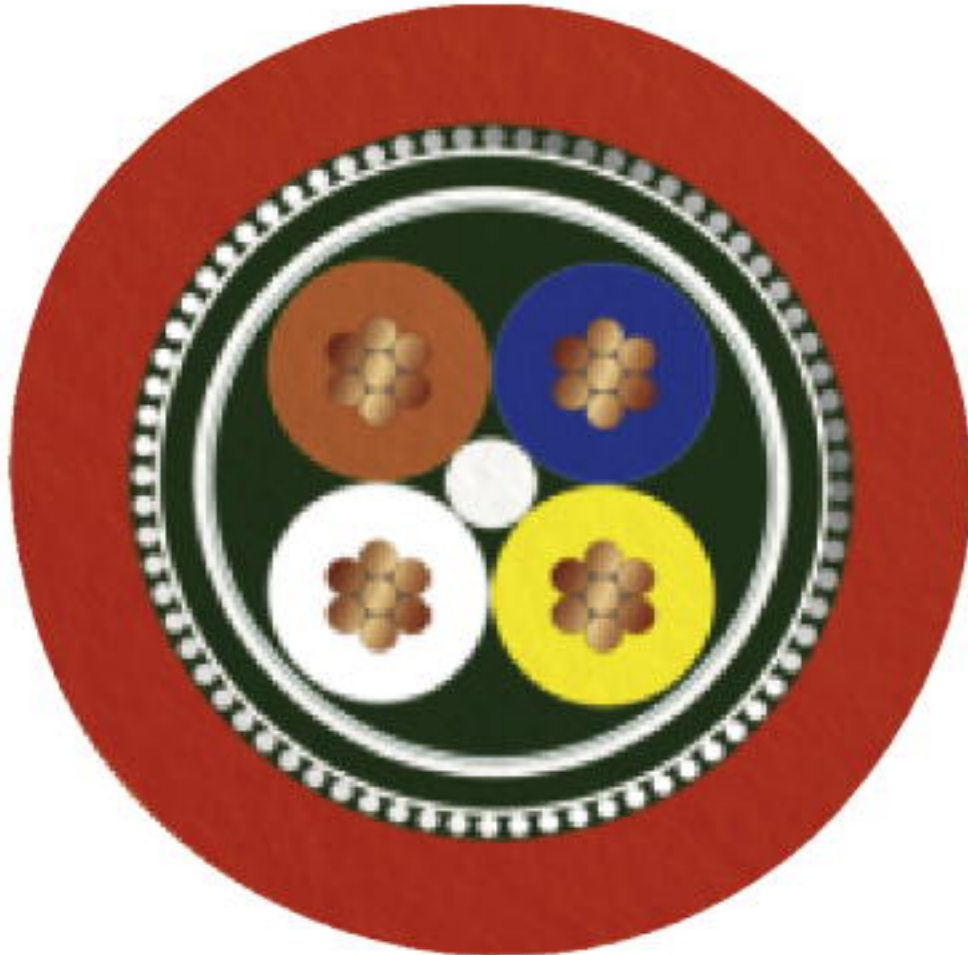
RJ45 connector, IP20

Circuit diagram



Patch cable - NBC-R4AC/0,5-93K/R4AC - 1422683

Cable cross section



Sercos III [93K]

Phoenix Contact 2019 © - all rights reserved
<http://www.phoenixcontact.com>

PHOENIX CONTACT GmbH & Co. KG
Flachsmarktstr. 8
32825 Blomberg
Germany
Tel. +49 5235 300
Fax +49 5235 3 41200
<http://www.phoenixcontact.com>