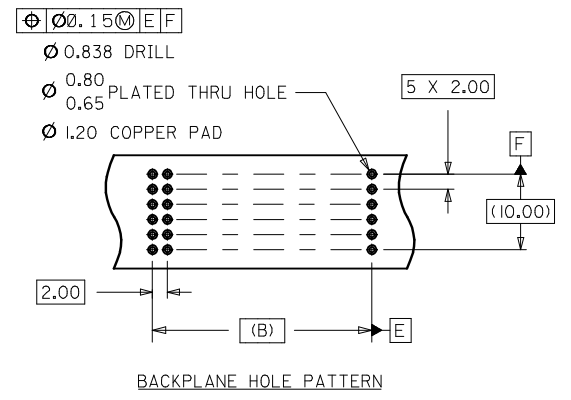
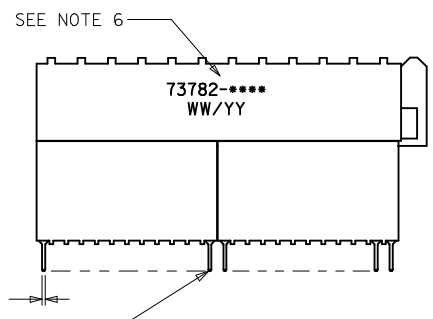
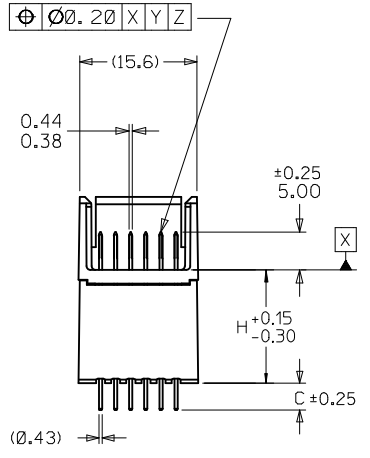
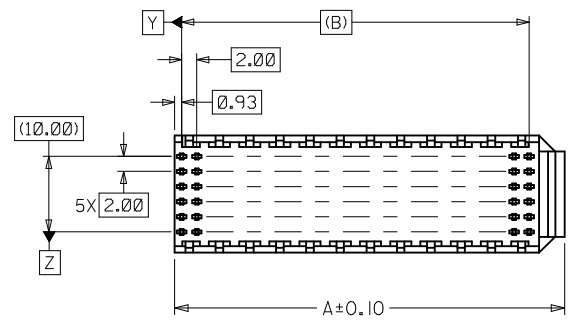


- NOTES:**
1. MATERIALS: HOUSING-LIQUID CRYSTAL POLYMER (LCP), GLASS-FILLED, UL94V-0, COLOR: BLACK.
TERMINAL-PHOSPHOR BRONZE
 2. FINISH:
0.75 MICROMETERS MINIMUM SELECTIVE GOLD IN MATING AREA
2.50 MICROMETERS MINIMUM SELECTIVE TIN IN TAIL AREA
NICKEL UNDERPLATE OVERALL.
 3. THIS PART CONFORMS TO MOLEX PRODUCT SPECIFICATION PS-73780-999.
 4. THIS PART CONFORMS TO MOLEX COSMETIC SPECIFICATION PS-45499-002 CLASS C.
 5. SEE TABLE ON SHEET 2 FOR PACKAGING SPECIFICATION.
 6. PARTS MARKED WITH PART NUMBER AND DATE CODE APPROXIMATELY WHERE SHOWN.



⊕ Ø0.150 X Y Z

CHG PKG FOR 45mm EC NO: UCP2013-0087 DRW:DMORGAN 2012/08/28 CHKD:BBARKER 2012/08/28 APPR:SMILLER 2012/09/18	QUALITY SYMBOLS	GENERAL TOLERANCES (UNLESS SPECIFIED)		DIMENSION STYLE	SCALE	DESIGN UNITS	THIRD ANGLE PROJECTION
	▽=0	mm	INCH	MM ONLY	2:1	METRIC	
	▽=0	4 PLACES ± ---	± ---	DRAWN BY	DATE	SALES ASSEMBLY, HDM BACKPLANE STACKING MOD CLOSED END SOLDER molex	
	▽=0	3 PLACES ± ---	± ---	CHECKED BY	DATE		
	2 PLACES ± 0.05	± ---	SREED	1997/04/25			
	1 PLACE ± 0.10	± ---	APPROVED BY	DATE			
	0 PLACE ± ---	± ---	CBIXLER	1997/04/25	MATERIAL NO.	DOCUMENT NO.	SHEET NO.
		ANGULAR ±1/2°		SEE SHEET 2		SD-73782-001	1 OF 2
		DRAFT WHERE APPLICABLE MUST REMAIN WITHIN DIMENSIONS		THIS DRAWING CONTAINS INFORMATION THAT IS PROPRIETARY TO MOLEX INCORPORATED AND SHOULD NOT BE USED WITHOUT WRITTEN PERMISSION			

MATERIAL NUMBER ASSIGNMENT

73782-* * 0 0

NUMBER	CIRCUIT SIZE	DIM "A"	DIM "B"	DIM "C"
0	72	27.6	22.00	2.0
1	144	51.6	46.00	2.0
2	72	27.6	22.00	2.5
3	144	51.6	46.00	2.5
4	72	27.6	22.00	3.0
5	144	51.6	46.00	3.0
6	72	27.6	22.00	3.5
7	144	51.6	46.00	3.5

NUMBER	DIM "H"	PACKAGING SPECIFICATION
1	15.05	PK-70873-1873
2	6.05	PK-70873-0875
3	10.05	PK-70873-0871



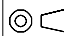
SEE SHEET 1 EC NO: UCP2013-0087 DRWN:DMORGAN 2012/08/28 CHKD:BBARKER 2012/08/28 APPR:SMILLER 2012/09/18	QUALITY SYMBOLS ▽=0 ▽=0 ▽=0	GENERAL TOLERANCES (UNLESS SPECIFIED)		DIMENSION STYLE MM ONLY	SCALE 1:1	DESIGN UNITS METRIC	THIRD ANGLE PROJECTION		
				DRAWN BY DATE	TITLE SALES ASSEMBLY, HDM BACKPLANE STACKING MOD CLOSED END SOLDER				
				CHECKED BY DATE					
				APPROVED BY DATE	MATERIAL NO. SEE TABLE		DOCUMENT NO. SD-73782-001		SHEET NO. 2 OF 2
		ANGULAR ±1/2°		DRAFT WHERE APPLICABLE MUST REMAIN WITHIN DIMENSIONS				THIS DRAWING CONTAINS INFORMATION THAT IS PROPRIETARY TO MOLEX. INCORPORATED AND SHOULD NOT BE USED WITHOUT WRITTEN PERMISSION	

73782-* * 0 0

MATERIAL NUMBER ASSIGNMENT

NUMBER	CIRCUIT SIZE	DIM "A"	DIM "B"	DIM "C"
0	72	27.6	22.00	2.0
1	144	51.6	46.00	2.0
2	72	27.6	22.00	2.5
3	144	51.6	46.00	2.5
4	72	27.6	22.00	3.0
5	144	51.6	46.00	3.0
6	72	27.6	22.00	3.5
7	144	51.6	46.00	3.5

NUMBER	DIM "H"
1	15.05
2	6.05
3	10.05

SEE SHEET 1 EC NO: UDT2000-1073 DRWN: BINGHAM 00/05/08 CHK: REED 00/05/08 APPR: BIXLER 00/05/08	MAJOR  = 0	CRITICAL  = 0	DESCRIPTION REV	GENERAL TOLERANCES: (UNLESS SPECIFIED)	SCALE NO: NE	DESIGN UNITS <input checked="" type="checkbox"/> mm <input type="checkbox"/> INCH	DIMENSIONS: <input type="checkbox"/> mm INCH <input type="checkbox"/> INCH mm <input checked="" type="checkbox"/> mm ONLY	THIRD ANGLE PROJECTION 	SHT REV	
	DRAWN BY & DATE JBINGHAM 97/04/25				TITLE: SALES ASSEMBLY HDM BACKPLANE STACKING MODULE CLOSED END OPTION SOLDER TAIL					
	CHECKED BY & DATE SREED 97/04/25				APPROVED BY & DATE CBIXLER 97/04/25					
	ANGLAR: ± °				CAD FILENAME S73782X2.DGN					
DRAFT WHERE APPLICABLE MUST REMAIN WITHIN DIMENSIONS				MATERIAL NO. SEE CHART						
THIS DRAWING CONTAINS INFORMATION THAT IS PROPRIETARY TO MOLEX INCORPORATED AND SHOULD NOT BE USED WITHOUT WRITTEN PERMISSION.				DRAWING NO. SD-73782-001		SHEET NO. 2		SIZE B		