

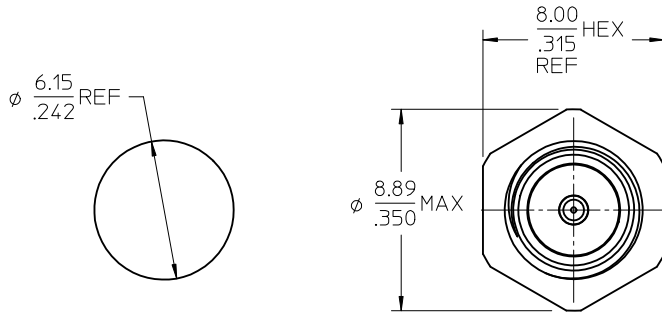
MATERIALS AND FINISHES

BODY, JAM NUT, LOCKWASHER STAINLESS STEEL  
PLATED GOLD

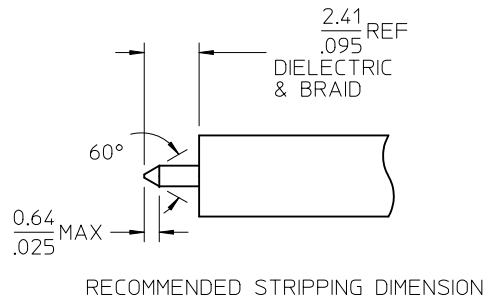
CENTER CONTACT BERYLLIUM COPPER  
PLATED GOLD

INSULATOR TEFLON

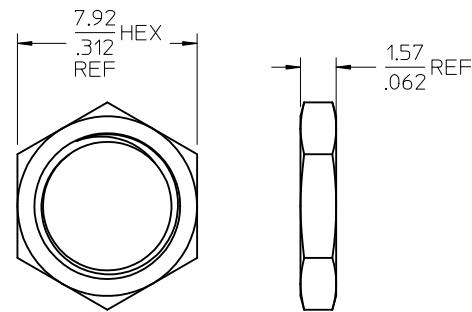
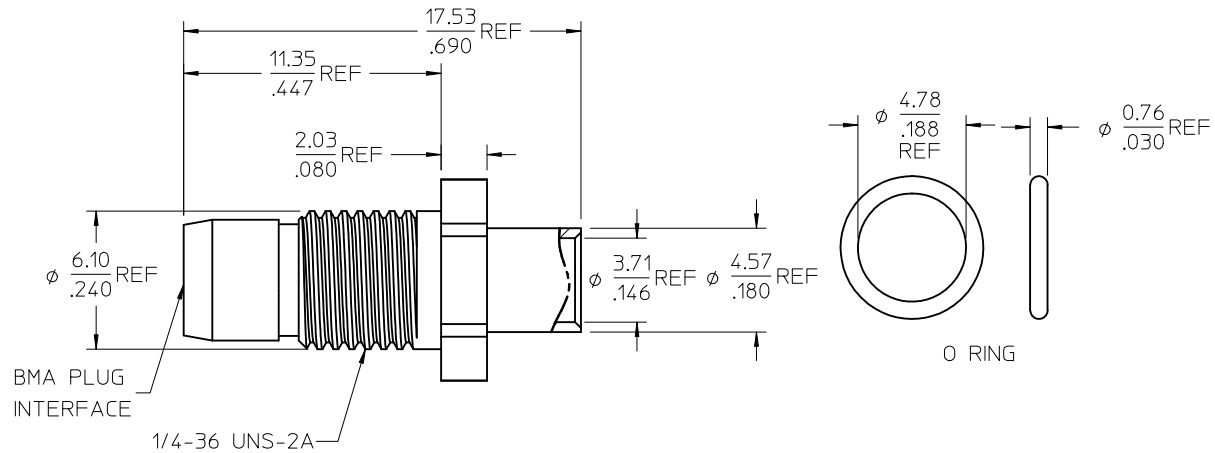
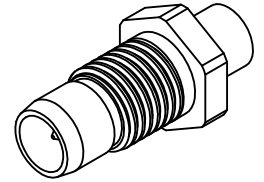
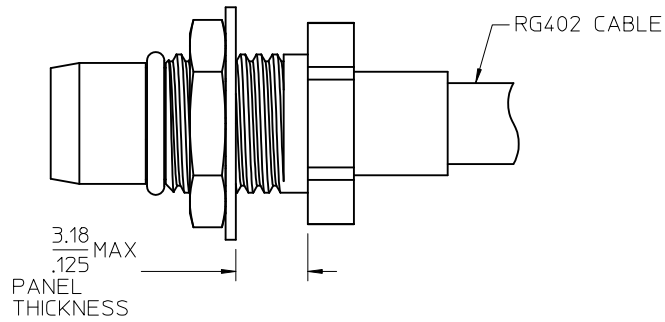
O RING SILICONE RUBBER



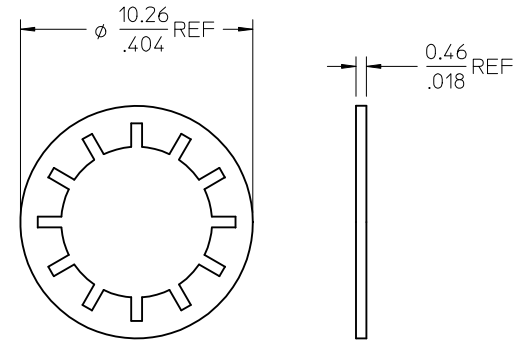
RECOMMENDED MOUNTING HOLE PATTERN



RECOMMENDED STRIPPING DIMENSION



JAM NUT



LOCKWASHER

PART # 73298-0000

MIL-STD-348A, FIG. 321.1	INTERFACE
SPECIFICATION	DESCRIPTION

CHG: NEW RELEASE ADDED STRIPPING DIM REMOVED AS-89678-9370	EC NO: URF2009-0014	DRWN:SSHAH 2008/07/14	CHKD:ROBERTSON 2008/07/14	APPR:JWENER 2008/07/14	DESCRIPTION	QUALITY SYMBOLS ▽=0 ▽=0	GENERAL TOLERANCES (UNLESS SPECIFIED)	DIMENSION STYLE MM/IN	SCALE DESIGN UNITS METRIC	THIRD ANGLE PROJECTION
REV: A							4 PLACES ± .005 3 PLACES ± .005 2 PLACES ± .005 1 PLACE ± .005	DRAWN BY DATE TEF 2003/10/30	TITLE BMA PLUG, BLKHD FOR SR141 AND RG402 CABLES, 50 OHM EWR-2214 BMA-PC	
							ANGULAR ± 2°	CHECKED BY DATE SSS 2003/10/30	MATERIAL NO. 732980000	SHEET NO. 1 OF 1
							DRAFT WHERE APPLICABLE MUST REMAIN WITHIN DIMENSIONS	APPROVED BY DATE GMH 2003/10/30	DOCUMENT NO. SD-73298-000	
								THIS DRAWING CONTAINS INFORMATION THAT IS PROPRIETARY TO MOLEX INCORPORATED AND SHOULD NOT BE USED WITHOUT WRITTEN PERMISSION		