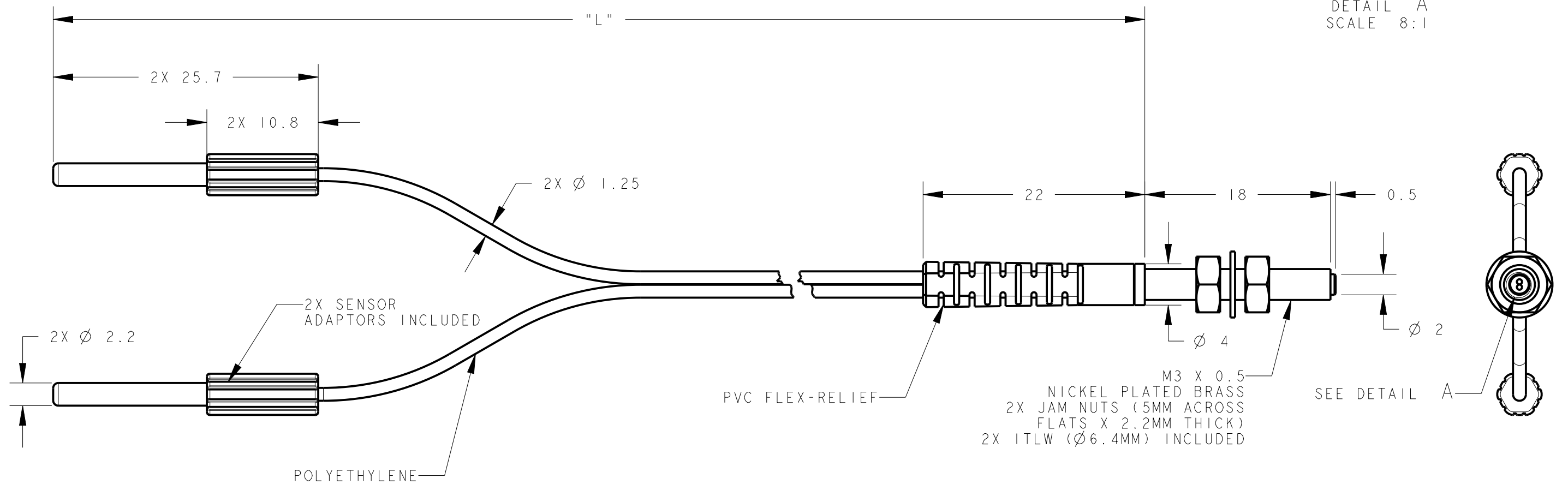
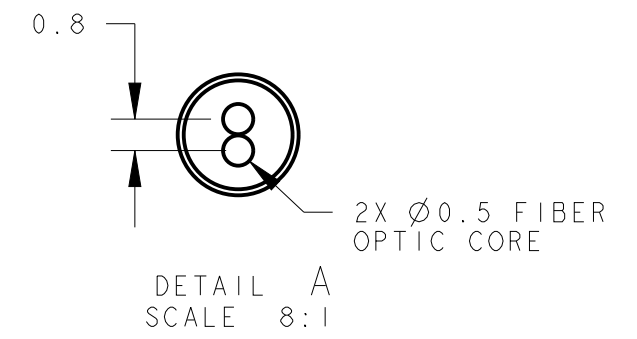


8	7	6	5	4	3	2	1
MODEL NO.	"L"	P/N					
PBT26U-VL	2000	87532					
PBT23U-VL	1000	87531					

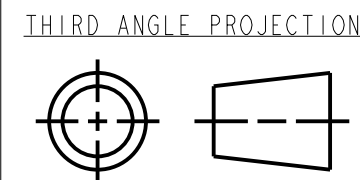
NOTES:
 1. OPERATING TEMPERATURE -55°C ~ +70°C.
 2. MINIMUM BEND RADIUS R15.



NOTES:
 1. ALL DIMENSIONS ARE MILLIMETERS [INCHES] UNLESS OTHERWISE NOTED.
 2. REFER TO "www.bannerengineering.com" FOR ADDITIONAL DATA AND SPECIFICATIONS.

This drawing is the property of BANNER ENGINEERING CORP. Any use or reproduction, in any form, without prior written permission of Banner is prohibited. © 2015 Banner Engineering Corp.

BANNER BANNER ENGINEERING CORP.
 www.bannerengineering.com



TITLE
PBT2 VALUE LINE SERIES UNTERMINATED

SIZE B	DRAWING NO. 178351	REV. B
SCALE 5:2	SHEET 1 OF 1	

CREO