

MTC. | Latch clamps

Steel



- 1
- 2
- 3
- 4
- 5
- 6
- 7
- 8
- 9
- 10
- 11
- 12
- 13
- 14
- 15
- 16
- 17
- 18

MATERIAL

C10 zinc-plated steel.

RIVETS

Zinc-plated steel.

PULLING HOOK

Parallel to clamping arm, zinc-plated steel.

OSCILLATING PIN AND NUTS

Zinc-plated steel.

HANDLE

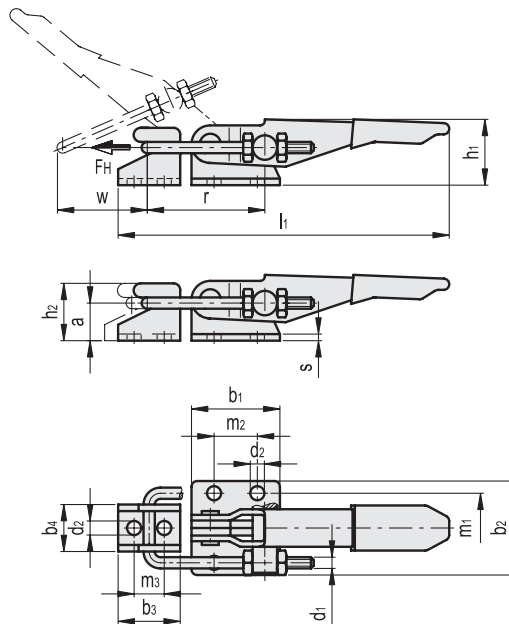
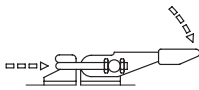
Polyurethane, red colour.

FEATURES AND APPLICATIONS

All articulated joints are lubricated with special grease.

MTC. clamps ensure tight closing of any cover.

The position of the pulling hook can be adjusted in length according to the specific applications.



METRIC

Code	Description	a	b1	b2	b3	b4	d1	d2	h1	h2	l1	m1	m2	m3	r	s	Stroke w	FH [N]*	Δ
GG.AL500	MTC.160-T2	12	26	28	20	14	M4	4.3	25	18	98	19	16	10	35+44	2	25	1600	85
GG.AL505	MTC.320-T2	16	40	44	28	22	M6	6.5	30	25	152	32	19	14.3	54+63	3	48	3200	250
GG.AL510	MTC.700-T2	24	60	54	38	26	M8	8.5	42	36	220	38	41.5	19	70+90	3.5	58	7000	600

* Holding force.

Toggle clamps

1630



Models all rights reserved in accordance with the law. Always mention the source when reproducing our drawings and photos.

