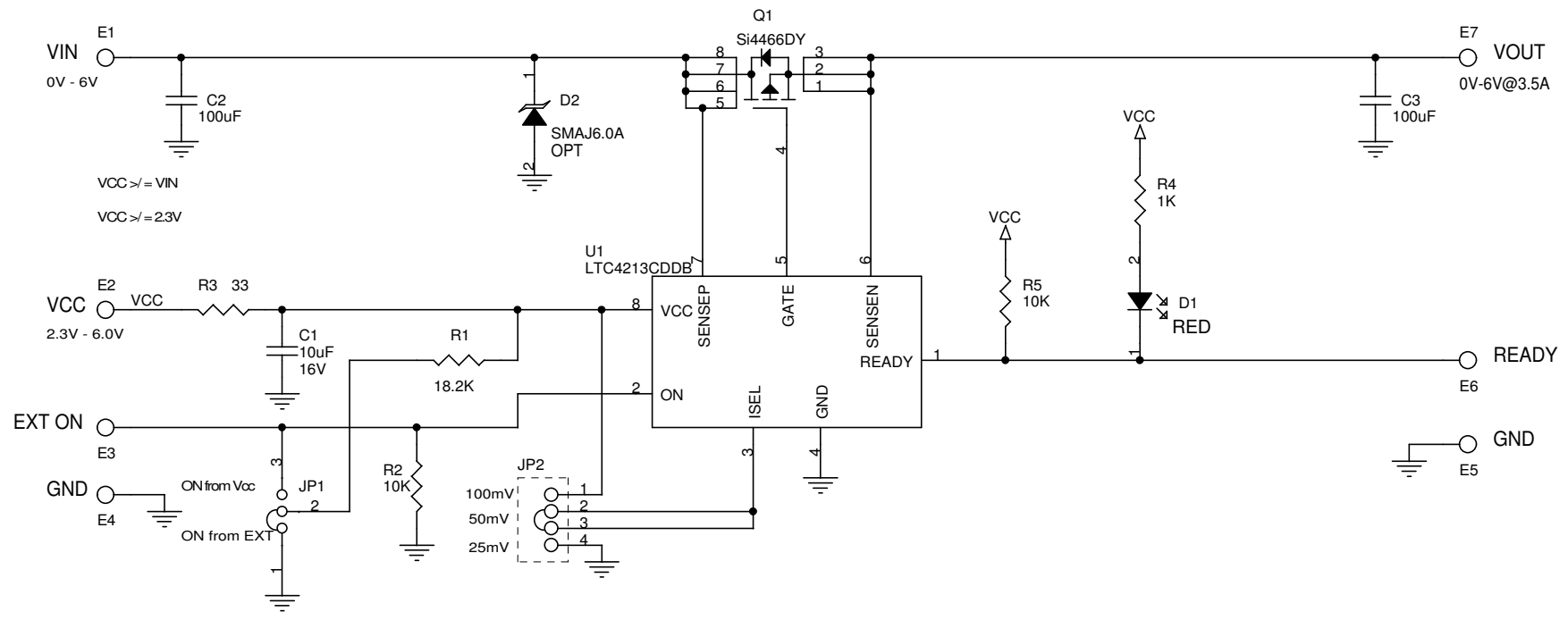
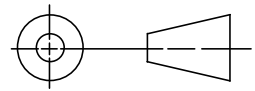



This circuit is proprietary to Linear Technology and supplied for use with Linear Technology parts.
Customer Notice: Linear Technology has made a best effort to design a circuit that meets customer-supplied specifications; however, it remains the customers responsibility to verify proper and reliable operation in the actual application, Component substitution and printed circuit board layout may significantly affect circuit performance or reliability. Contact Linear Applications Engineering for assistance.

REVISION HISTORY				
ECO	REV	DESCRIPTION	DATE	APPROVED
	2	PROD	06/22/05	



UNLESS OTHERWISE SPECIFIED DIMENSIONS ARE IN INCHES TOLERANCE ON ANGLE - - - 2 PLACES - - - 3 PLACES - - - INTERPRET DIM AND TOL PER ASME Y14.5M -1994 THIRD ANGLE PROJECTION 	CONTRACT NO.	
	APPROVALS	DATE
	DRAWN MEI	12/02/04
	CHECKED	
	APPROVED	
ENGINEER		
DESIGNER		
DO NOT SCALE DRAWING	Wednesday, April 26, 2006	

		1630 McCarthy Blvd. Milpitas, CA 95035 Phone: (408)432-1900 Fax: (408)434-0507	
		TITLE SCH, LTC4213CDDDB, FAST CIRCUIT BREAKER	
SIZE A	CAGE CODE	DWG NO DC872A	REV 2
SCALE:NONE	FILENAME: 872A-2.DSN	SHEET 1	OF 1