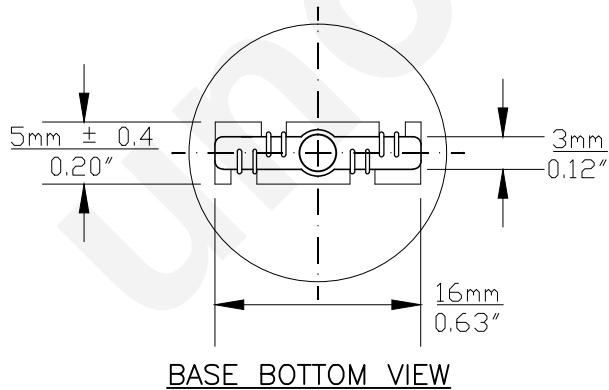
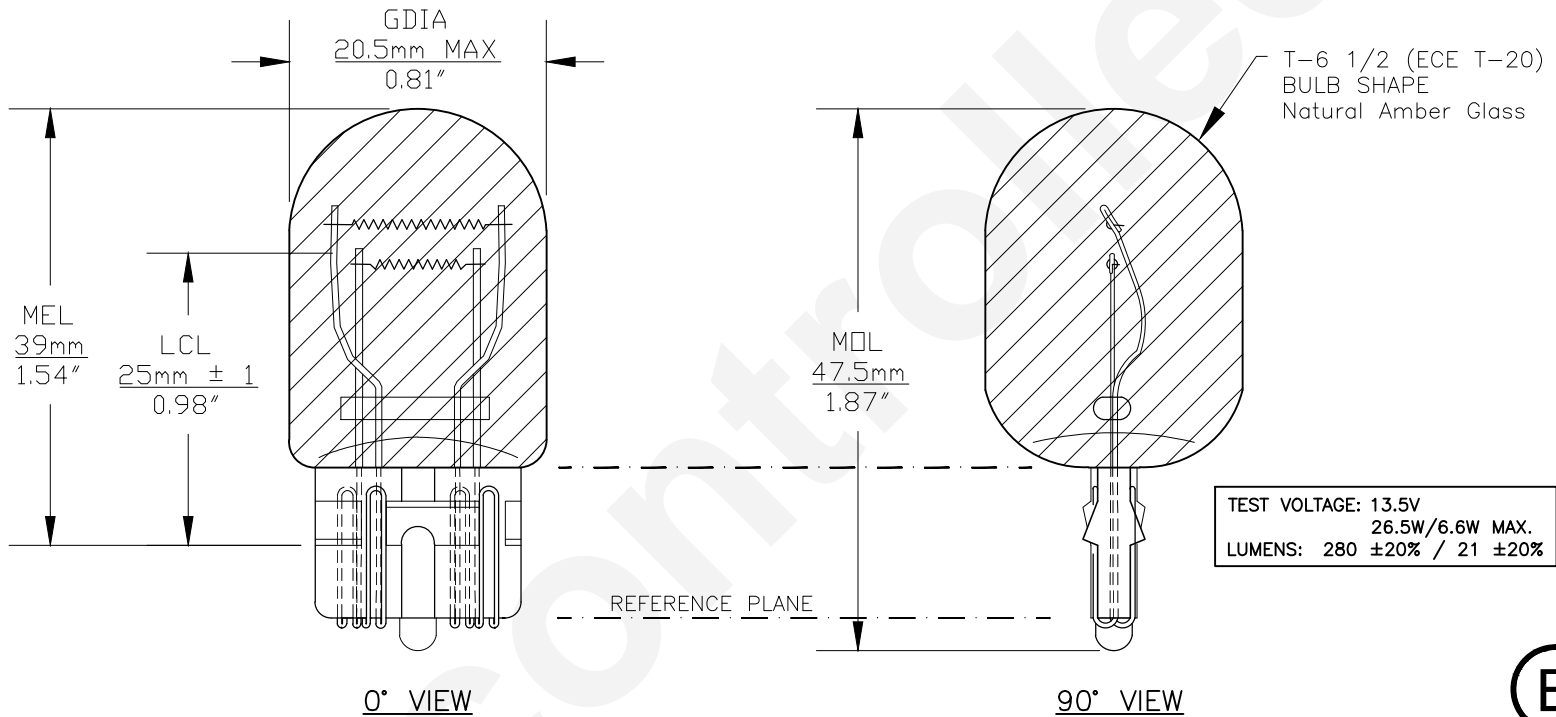




PART NO.	BASE TYPE	DESIGN VOLTS	DESIGN AMPS	MSCD	FILAMENT TYPE	AVERAGE LIFE HOURS
7443NA	Glass Wedge W3X16q (T-6 1/2)	13.5V	1.75±15% 0.42±15%	22.0±20% 1.67±20%	C-6 C-6	500 1000

REVISIONS			
REV #	DESCRIPTION	DATE	APPROVED
1	ISSUED	03/29/2007	D.C.
2	ADDITIONAL SPECIFICATIONS	11/13/2008	D.C.
3	REVISED LCL TOLERANCE	06/25/2012	D.C.
4	REDRAWN FOR ADDITIONAL VIEWS	06/27/2014	R.M.



Note: Made according to ECE/R37 specifications

UNLESS OTHERWISE SPECIFIED: DIMENSIONS ARE IN INCHES TOLERANCES		CEC INDUSTRIES LTD	
DECIMALS	ANGULAR	599 BOND STREET	LINCOLNSHIRE, IL 60069
.XX ± .05	± 0.5°		
.XXX ± .010			
FRACTIONAL	± 1/64		
DRAWN DENNIS C.	DATE 08/29/2006	TITLE LIGHT BULB NO. 7443NA (WY21/5W)	
CHECKED	SIZE A	FSCM NO.	DWG NO. 7443NA
DESIGN	SCALE	PLOT SCALE	REV 4
MATERIAL	FILE 7443NA.pdf	SHEET 1 OF 1	DRAWING NOT TO SCALE